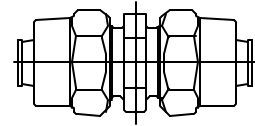


Cambridge Brass  
P.O. Box 249  
140 Orion Place  
Cambridge, Ontario  
Canada N1R 5V1  
Tel: (519) 621-5520  
Fax: (519) 621-8674  
http://www.cambridgebrass.com

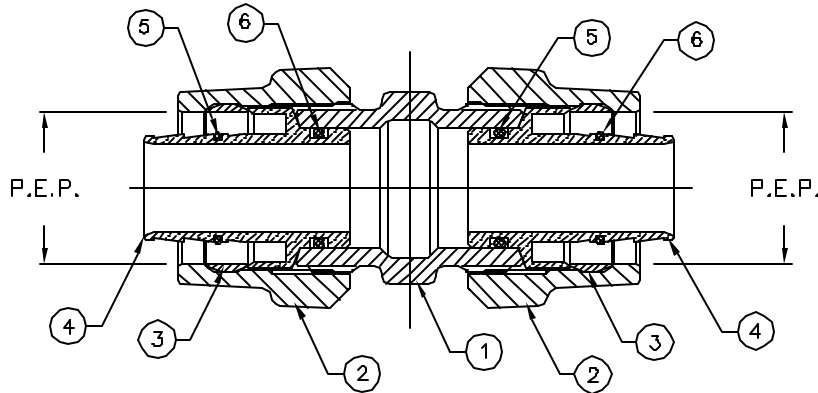


MODEL NO. 119

P.E.P. x P.E.P.

COUPLING – FULL BORE

FOR POLYETHYLENE PLASTIC PIPE SDR-7, IPS SIZE, SERVICE TUBES



PARTS AND MATERIAL:

1. COUPLING BODY – CAST BRASS, ALLOY C83600
2. P.E.P. NUT – CAST BRASS, ALLOY CB3600
3. GRIPPER – BRASS, ALLOY C26000
4. INSERT – COPPER, ALLOY C 23000
5. O-RING – NITRILE RUBBER
6. O-RING – NITRILE RUBBER

FEATURES:

- MANUFACTURED IN COMPLIANCE WITH AWWA STANDARD C800.
- BODY PROVIDES LARGE, RUGGED WRENCH FLATES FOR PROPER INSTALLATION.

Cambridge Brass considers the information in this submittal form to be correct at the time of publication. Item and option availability, including specifications, are subject to change without notice.

CATALOG NO.	P.E.P. SIZE	P.E.P. SIZE	LENGTH	APPROX. WT. LBS.
119-Z3Z3	3/4"	3/4"	1.70"	
119-Z4Z4	1"	1"	2.00"	

Submitted by: