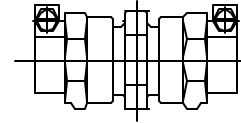


Cambridge Brass  
P.O. Box 249  
140 Orion Place  
Cambridge, Ontario  
Canada N1R 5V1  
Tel: (519) 621-5520  
Fax: (519) 621-8674  
http://www.cambridgebrass.com

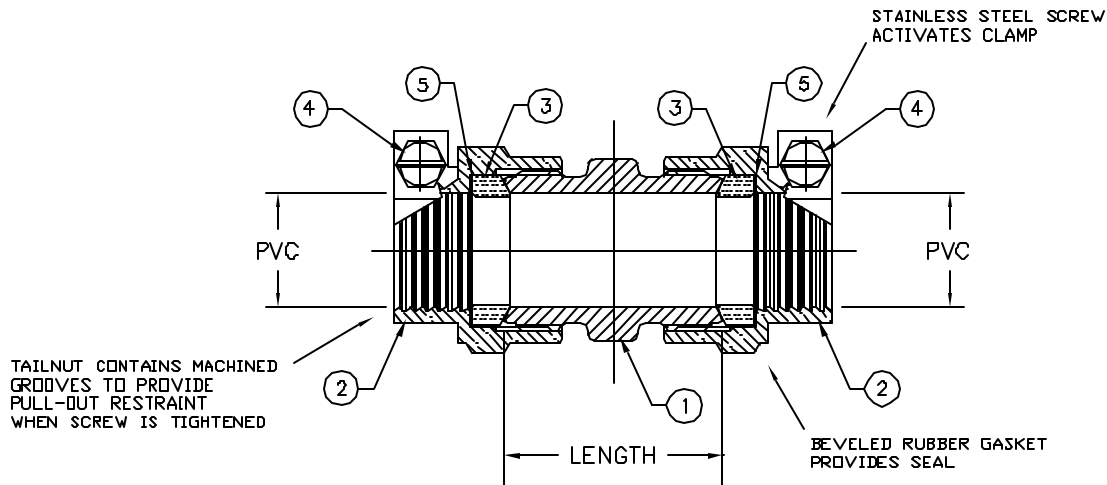


MODEL NO. 119

PVC COMPRESSION x  
PVC COMPRESSION

COUPLING – FULL BORE

FOR PVC PIPE



PARTS AND MATERIAL:

- 1. COUPLING BODY: CAST BRASS, ALLOY C83600
- 2. PVC NUT: CAST BRASS, ALLOY C83600
- 3. GASKET: RUBBER COMPOUND NSF-61
- 4. SCREW: STAINLESS STEEL, TYPE 304
- 5. ANTI-FRICTION WASHER: HDPE

FEATURES:  
- MANUFACTURED IN COMPLIANCE WITH AWWA STANDARD C800-05 (ASTM B-62 AND ASTM B-584, UNS NO C83600-85-5-5-5).  
- <X> CSA CLASSIFIED TO ANSI/NSF STANDARD 68-8.  
- BODY PROVIDES LARGE, RUGGED WRENCH FLATES FOR PROPER INSTALLATION.

Cambridge Brass considers the information in this submittal form to be correct at the time of publication. Item and option availability, including specifications, are subject to change without notice.

CATALOG NO.	PVC SIZE	PVC SIZE	LENGTH	APPROX. WT. LBS.	CLASSIFIED NSF 61-8
119-PJ3PJ3	3/4"	3/4"	2.12"	1.5	X
119-PJ4PJ4	1"	1"	3.07"	2.9	X
119-PJ6PJ6	1 1/2"	1 1/2"	3.04"	4.9	X
119-PJ7PJ7	2"	2"	3.37"	6.1	

Submitted by: