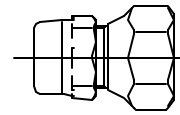


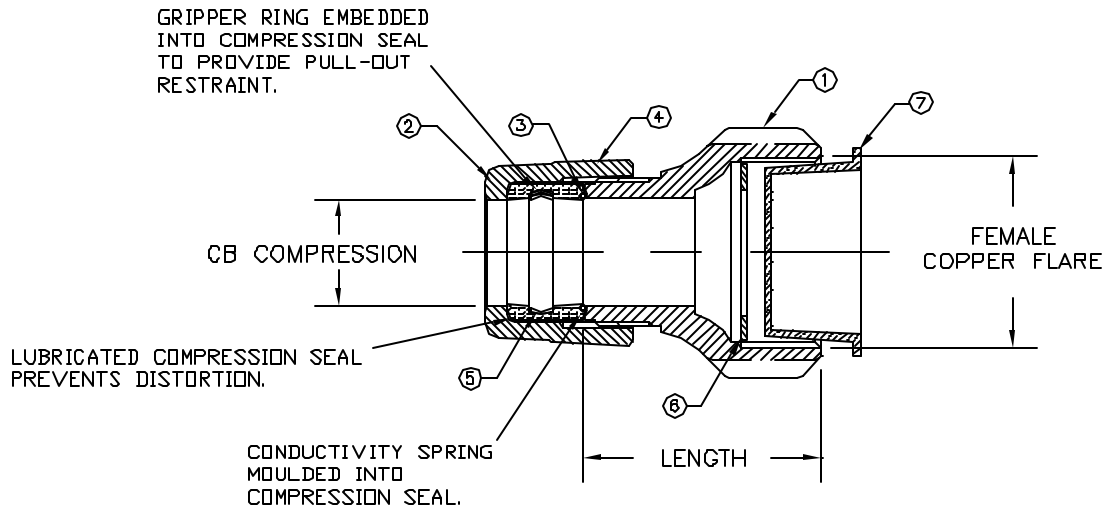
Cambridge Brass
P.O. Box 249
140 Orion Place
Cambridge, Ontario
Canada N1R 5V1
Tel: (519) 621-5520
Fax: (519) 621-8674
http://www.cambridgebrass.com



MODEL NO. 119

CB COMPRESSION x
FEMALE COPPER FLARE

COUPLING – FULL BORE



PARTS AND MATERIAL:

1. COUPLING BODY: CAST BRASS, ALLOY C83600
2. COMPRESSION SEAL: NITRILE RUBBER
3. CONDUCTOR SPRING: BRASS
4. COMPRESSION NUT: CAST BRASS, ALLOY C83600
5. GRIPPER – STAINLESS STEEL, ALLOY 302
6. WASHER: COPPER, ALLOY C11000
7. PROTECTOR: POLYETHYLENE

FEATURES:

- MANUFACTURED IN COMPLIANCE WITH AWWA STANDARD C800.
- BODY PROVIDES LARGE RUGGED WRENCH FLATES FOR PROPER INSTALLATION.

Cambridge Brass considers the information in this submittal form to be correct at the time of publication. Item and option availability, including specifications, are subject to change without notice.

COUPLING SIZE	CATALOG NO.	CB COMPRESSION	FEMALE COPPER FLARE	LENGTH	APPROX. WT. LBS.
3/4" x 1"	119-H3P4	3/4"	1"	2.00"	

Submitted by: