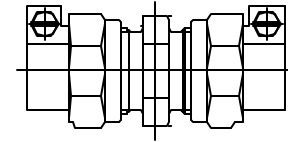


Cambridge Brass
P.O. Box 249
140 Orion Place
Cambridge, Ontario
Canada N1R 5V1
Tel: (519) 621-5520
Fax: (519) 621-8674
http://www.cambridgebrass.com

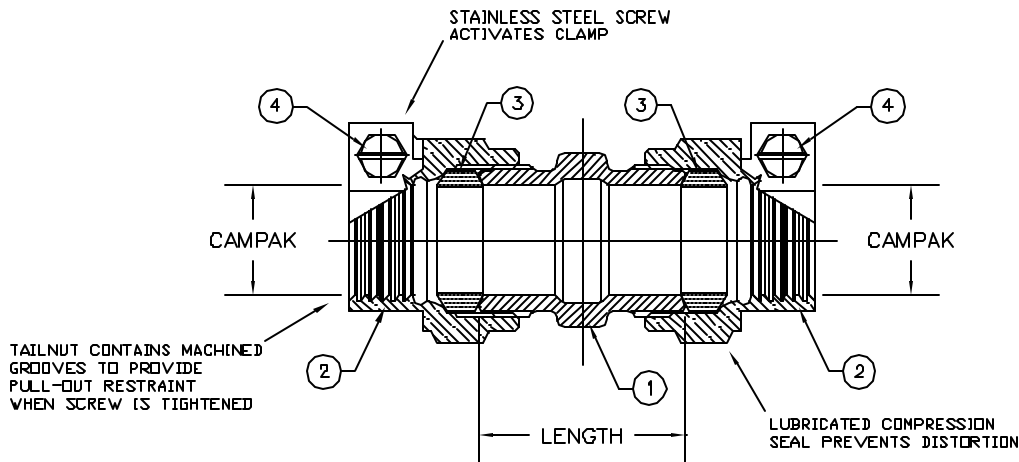


MODEL NO. 119

CAMPAK x CAMPAK

COUPLING – FULL BORE

FOR COPPER OR PLASTIC TUBING (CTS)



PARTS AND MATERIAL:

1. COUPLING BODY: CAST BRASS, ALLOY C83600
2. CAMPAK NUT: CAST BRASS, ALLOY C83600
3. COMPRESSION SEAL: NITRILE RUBBER
4. SCREW: STAINLESS STEEL, TYPE 304

FEATURES:

- MANUFACTURED IN COMPLIANCE WITH AWWA STANDARD C800-05 (ASTM B-62 AND ASTM B-584, UNS NO C83600-85-5-5-5).
- <X> CSA CLASSIFIED TO ANSI/NSF STANDARD 68-B.
- BODY PROVIDES LARGE, RUGGED WRENCH FLATES FOR PROPER INSTALLATION.

Cambridge Brass considers the information in this submittal form to be correct at the time of publication. Item and option availability, including specifications, are subject to change without notice.

CATALOG NO.	CAMPAK SIZE	CAMPAK SIZE	LENGTH	APPROX. WT. LBS.	CLASSIFIED NSF 61-8
119-B1B1	1/2"	1/2"	2.14"	0.9	X
119-B2B2	5/8"	5/8"	2.12"	1.0	X
119-B3B3	3/4"	3/4"	1.93"	1.0	X
119-B4B3	1"	3/4"	2.10"	1.3	X
119-B4B4	1"	1"	2.12"	1.5	X
119-B6B6	1 1/2"	1 1/2"	2.78"	3.8	X
119-B7B7	2"	2"	3.04"	5.4	

Submitted by: