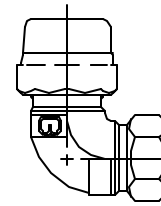


Cambridge Brass
P.O. Box 249
140 Orion Place
Cambridge, Ontario
Canada N1R 5V1
Tel: (519) 621-5520
Fax: (519) 621-8674
http://www.cambridgebrass.com

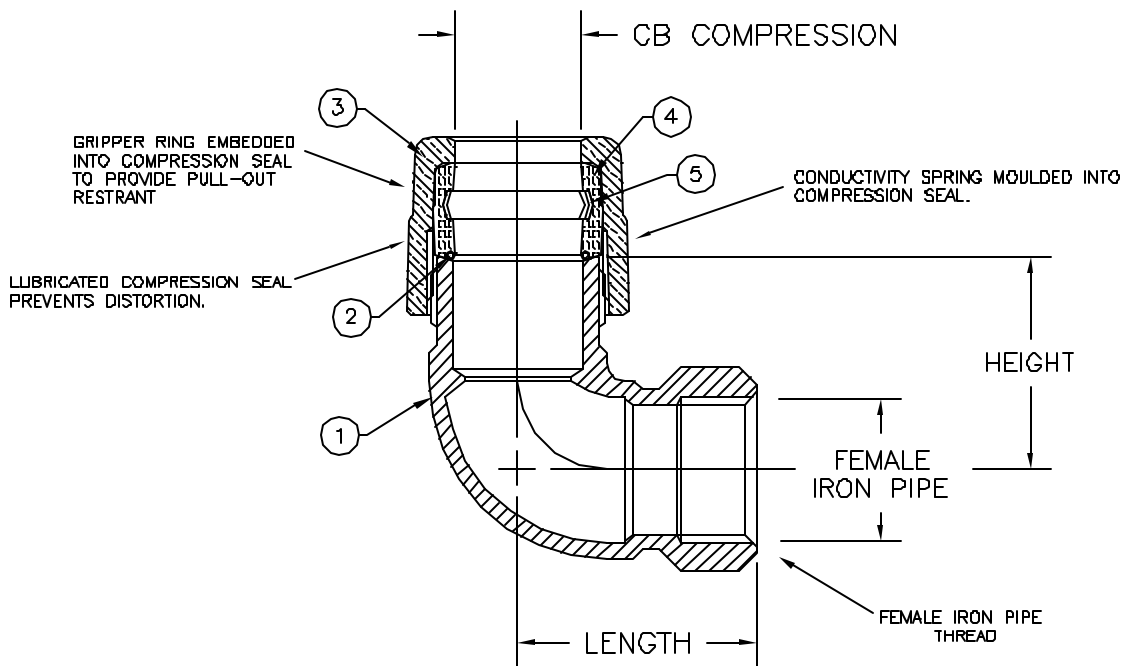


MODEL NO. 105

CB COMPRESSION x FEMALE IRON PIPE

ELL COUPLING

CB COMPRESSION FOR COPPER OR PLASTIC TUBING (CTS) BY THREADED PIPE



PARTS AND MATERIAL:

1. ELBOW BODY: CAST BRASS, ALLOY C83600
2. CONDUCTOR SPRING: BRASS
3. COMPRESSION NUT: CAST BRASS, ALLOY C83600
4. COMPRESSION SEAL: NITRILE RUBBER
5. GRIPPER: STAINLESS STEEL, ALLOY 302

FEATURES:

- MANUFACTURED IN COMPLIANCE WITH AWWA STANDARD C800-05 (ASTM B-62 AND ASTM B-584, UNS NO C83600-85-5-5-5).
- <X> CSA CLASSIFIED TO ANSI/NSF STANDARD 61-8.

Cambridge Brass considers the information in this submittal form to be correct at the time of publication. Item and option availability, including specifications, are subject to change without notice.

ELL COUPLING SIZE	CATALOG NO.	CB COMPRESSION	FEMALE IRON PIPE	LENGTH	HEIGHT	APPROX. WT. LBS.	CSA CLASSIFIED
3/4"	105-H3F3	3/4"	3/4"	1.69"	1.50"	0.8	X
1"	105-H4F4	1"	1"	1.97"	1.79"	1.4	X
1 1/2"	105-H6F6	1 1/2"	1 1/2"	2.60"	2.60"		X
2"	105-H7F7	2"	2"	3.14"	3.14"		

Submitted by: