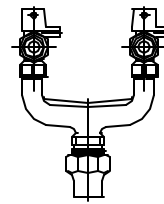


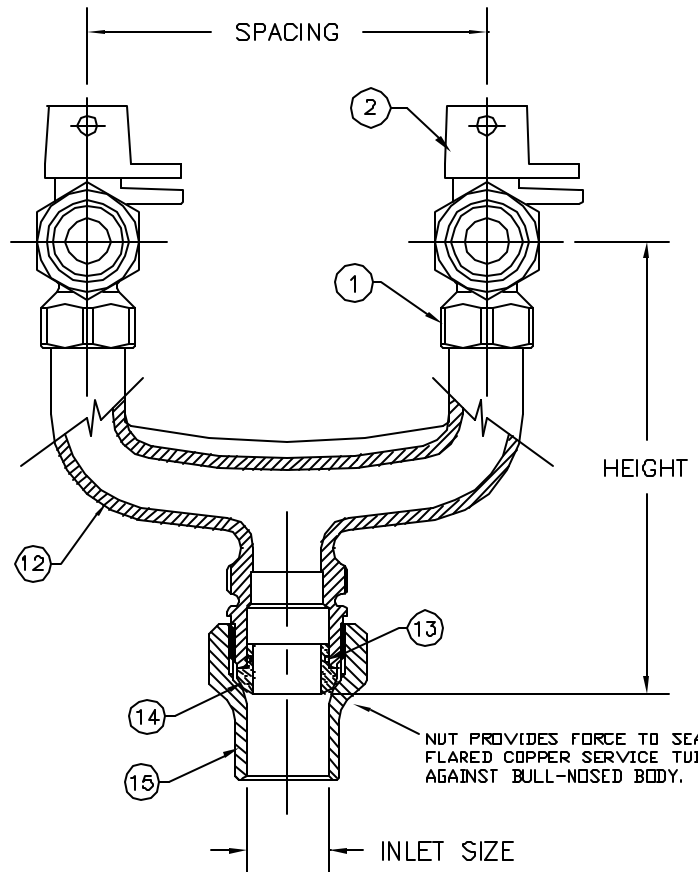
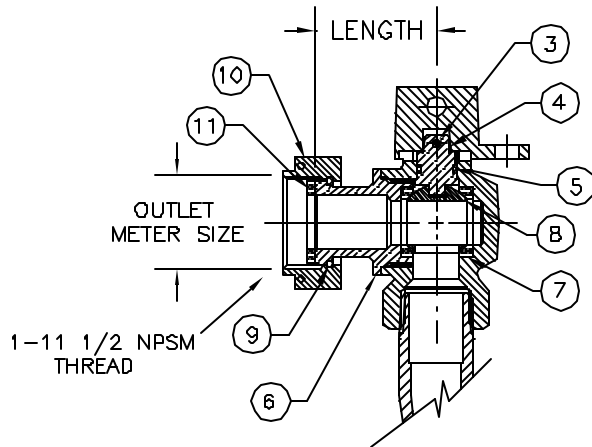
Cambridge Brass
P.O. Box 249
140 Orion Place
Cambridge, Ontario
Canada N1R 5V1
Tel: (519) 621-5520
Fax: (519) 621-8674
http://www.cambridgebrass.com



MODEL NO. 234

COPPER FLARE x METER SWIVEL NUT

DOUBLE ANGLE CURB STOP
REDUCED PORT



PARTS AND MATERIAL:

1. VALVE BODY: CAST BRASS, ALLOY C83600
2. LOCKING CAP: CAST BRASS, ALLOY C84400
3. CAP PIN: STAINLESS STEEL, TYPE 420
4. STEM: COPPER, ALLOY C83600
5. O-RING: NITRILE RUBBER
6. ENDBODY: CAST BRASS, ALLOY C83600
7. SEATS: NITRILE RUBBER
8. BALL: COPPER, ALLOY C83600, TEFLON COATED
9. RETAINER RING: PHOSPOR BRONZE WIRE
10. METER SWIVEL NUT: CAST BRASS, ALLOY C84400
11. SEALING WASHER: NEOPRENE RUBBER
12. BRANCH BODY: CAST BRASS, ALLOY C83600
13. O-RING: NITRILE RUBBER
14. ADAPTER: COPPER, ALLOY C83600
15. NUT: CAST BRASS, ALLOY C83600

NUT PROVIDES FORCE TO SEAL
FLARED COPPER SERVICE TUBE
AGAINST BULL-NOSED BODY.

FEATURES:

- MANUFACTURED IN COMPLIANCE WITH AWWA STANDARD C800-05 (ASTM B-62 AND ASTM B-584, UNS NO C83600-85-5-5-5).
- CSA CLASSIFIED TO ANSI/NSF STANDARD 61-8.
- BRANCH VALVES HAVE PADLOCK WINGS FOR LOCKING VALVE IN CLOSED POSITION.
- 200 PSI WORKING PRESSURE.
- METER GASKETS SUPPLIED.
- METER THREADS CONFORM TO AWWA C700.

Cambridge Brass considers the information in this submittal form to be correct at the time of publication. Item and option availability, including specifications, are subject to change without notice.

CATALOG NO.	INLET COPPER FLARE	OUTLET METER SIZE	SPACING	HEIGHT	LENGTH	APPROX. WT. LBS.
234-C4T37500	1"	5/8"x3/4" OR 3/4"	7.50"	5.31"	1.70"	

Submitted by: