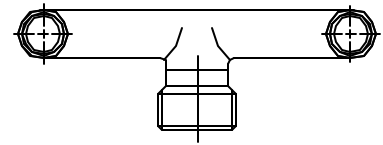


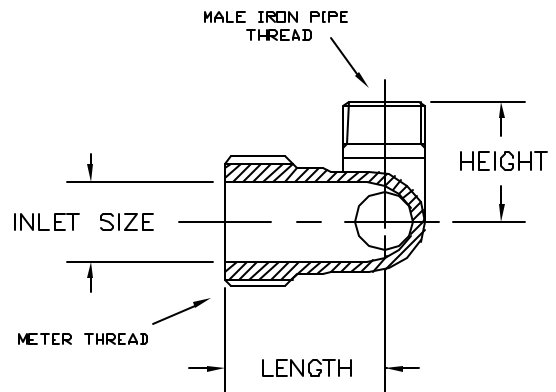
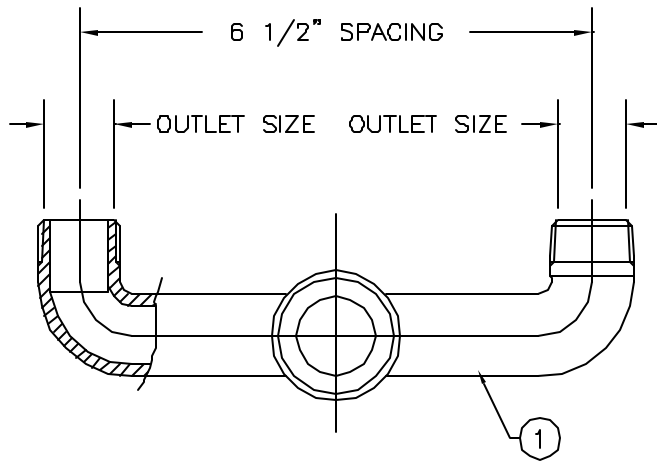
Cambridge Brass  
P.O. Box 249  
140 Orion Place  
Cambridge, Ontario  
Canada N1R 5V1  
Tel: (519) 621-5520  
Fax: (519) 621-8674  
<http://www.cambridgebrass.com>



MODEL NO. 171

METER x MALE IRON PIPE

90 DEGREE U-BRANCH



PARTS AND MATERIAL:  
1. BRANCH BODY: CAST BRASS, ALLOY C83600

- FEATURES:
- MANUFACTURED IN COMPLIANCE WITH AWWA STANDARD C800-05 (ASTM B-62 AND ASTM B-584, UNS NO C83600-85-5-5-5).
  - CSA CLASSIFIED TO ANSI/NSF STANDARD 61-8.
  - CONFORMS TO AWWA C700 FOR METER THREADS.

Cambridge Brass considers the information in this submittal form to be correct at the time of publication. Item and option availability, including specifications, are subject to change without notice.

CATALOG NO.	INLET SIZE METER	OUTLET SIZE MALE IRON PIPE	HEIGHT	LENGTH	APPROX. WT. LBS.
171-N4M3	1"	3/4"	1.47"	2.02"	

Submitted by: