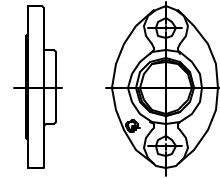


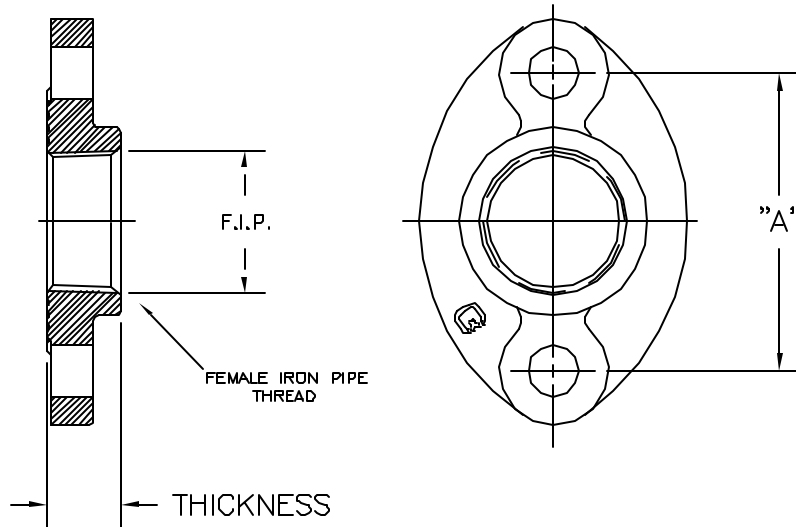
Cambridge Brass
P.O. Box 249
140 Orion Place
Cambridge, Ontario
Canada N1R 5V1
Tel: (519) 621-5520
Fax: (519) 621-8674
http://www.cambridgebrass.com



MODEL NO. 422

METER FLANGE x
FEMALE IRON PIPE

CAST IRON
METER FLANGE KIT



PARTS AND MATERIAL:
FLANGE: DUCTILE IRON
BOLT: STEEL, ZINC PLATED
NUT: STEEL, ZINC PLATED
GASKET: NEOPRENE

FEATURES:
- MANUFACTURED IN COMPLIANCE WITH AWWA STANDARD C800-05 (ASTM B-62 AND ASTM B-584, UNS NO C83600-85-5-5-5).
- INCLUDES 2-FLANGES, 2-GASKETS, 4-NUTS, 4-BOLTS.

Cambridge Brass considers the information in this submittal form to be correct at the time of publication. Item and option availability, including specifications, are subject to change without notice.

METER FLANGE SIZE	CATALOG NO.	F.I.P.	THICKNESS	"A"	BOLT HOLE DIAMETER	APPROX. WT. LBS.
1 1/2"	422-6	1 1/2"	1.00"	4"	11/16"	
2"	422-7	2"	1.10"	4 1/2"	13/16"	

Submitted by: