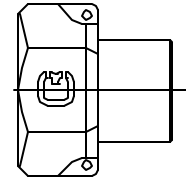


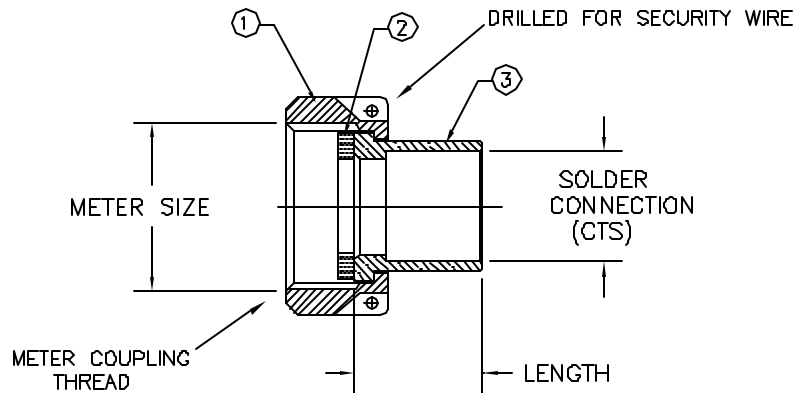
Cambridge Brass
P.O. Box 249
140 Orion Place
Cambridge, Ontario
Canada N1R 5V1
Tel: (519) 621-5520
Fax: (519) 621-8674
http://www.cambridgebrass.com



MODEL NO. 417

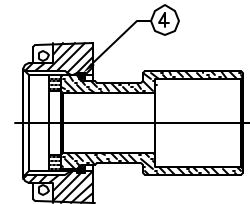
METER SWIVEL NUT x SOLDER JOINT

METER COUPLING



PARTS AND MATERIAL:

- 1. METER SWIVEL NUT: CAST BRASS, ALLOY C84400
- 2. GASKET: NEOPRENE RUBBER
- 3. TAILPIECE: CAST BRASS, ALLOY C83600
- 4. RETAINING RING: PHOSPHOR BRONZE



417-T1S3 CONFIGURATION

FEATURES:

- MANUFACTURED IN COMPLIANCE WITH AWWA STANDARD C800-05 (ASTM B-62 AND ASTM B-584, UNS NO C83600-85-5-5-5).
- CONFORMS TO AWWA C700 FOR METER THREADS.

Cambridge Brass considers the information in this submittal form to be correct at the time of publication. Item and option availability, including specifications, are subject to change without notice.

CATALOG NO.	METER SIZE	METER THREAD	SOLDER CONNECTION	LENGTH	APPROX. WT. LBS.
417-T1S1	5/8"	3/4" NPSM	1/2" CTS	0.61"	
417-T1S3	5/8"	3/4" NPSM	3/4" CTS	1.85"	
417-T3S1	5/8"x3/4" & 3/4"	1" NPSM	1/2" CTS	0.61"	
417-T3S3	5/8"x3/4" & 3/4"	1" NPSM	3/4" CTS	1.02"	
417-T4S4	1"	1 1/4" NPSM	1" CTS	1.18"	

Submitted by: