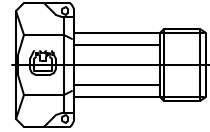


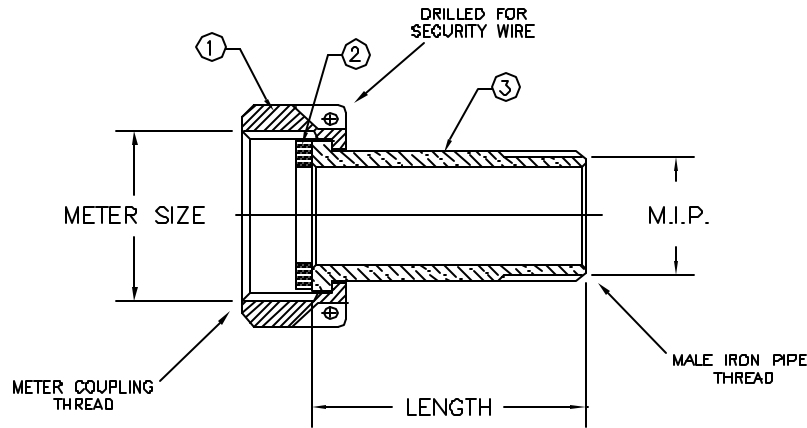
Cambridge Brass
P.O. Box 249
140 Orion Place
Cambridge, Ontario
Canada N1R 5V1
Tel: (519) 621-5520
Fax: (519) 621-8674
http://www.cambridgebrass.com



MODEL NO. 417

METER SWIVEL NUT x MALE IRON PIPE

METER COUPLING



PARTS AND MATERIAL:

- 1. METER SWIVEL NUT: CAST BRASS, ALLOY CB4400
- 2. GASKET: NEOPRENE RUBBER
- 3. TAILPIECE: CAST BRASS, ALLOY CB3600

FEATURES:

- MANUFACTURED IN COMPLIANCE WITH AWWA STANDARD C800-05 (ASTM B-62 AND ASTM B-584, UNS NO CB3600-85-5-5-5).
- BODY HAS HEX ON BARREL TO FACILITATE INSTALLATION.
- SLIP-ON METER SWIVEL NUT.
- CONFORMS TO AWWA C70D FOR METER THREADS.

Cambridge Brass considers the information in this submittal form to be correct at the time of publication. Item and option availability, including specifications, are subject to change without notice.

CATALOG NO.	METER SIZE	METER THREAD	MALE IRON PIPE	LENGTH	APPROX. WT. LBS.
417-T1M1	5/8"	3/4" NPSM	1/2"	2.37"	
417-T3M1	5/8"x3/4" & 3/4"	1" NPSM	1/2"	2.37"	
417-T3M3	5/8"x3/4" & 3/4"	1" NPSM	3/4"	2.50"	
417-T3M312000	5/8"x3/4" & 3/4"	1" NPSM	3/4"	12.00"	
417-T4M4	1"	1 1/4" NPSM	1"	2.62"	
417-T6M6	1 1/2"	2" NPSM	1 1/2"	2.87"	
417-T7M7	2"	2 1/2" NPSM	2"	3.00"	

Submitted by: