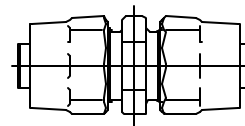


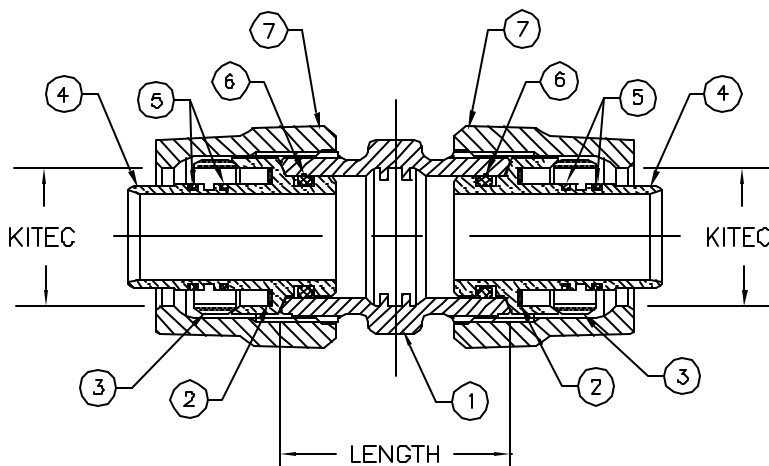
Cambridge Brass  
P.O. Box 249  
140 Orion Place  
Cambridge, Ontario  
Canada N1R 5V1  
Tel: (519) 621-5520  
Fax: (519) 621-8674  
http://www.cambridgebrass.com



MODEL NO. 118

KITEC x KITEC

COUPLING  
WITH INTERNAL STOPS



**PARTS AND MATERIAL:**

1. COUPLING BODY: CAST BRASS, ALLOY C83600
2. INSULATOR: POLYETHYLENE
3. GRIPPER: BRASS, ALLOY C51000
4. INSERT: CAST BRASS, ALLOY C89833
5. O-RING: NITRILE RUBBER
6. O-RING: NITRILE RUBBER
7. KITEC NUT: CAST BRASS, ALLOY C83600

**FEATURES:**

- MANUFACTURED IN COMPLIANCE WITH AWWA STANDARD C800-05 (ASTM B-62 AND ASTM B-584, UNS NO C83600-85-5-5-5).
- CSA CLASSIFIED TO ANSI/NSF STANDARD 61-8.
- BODY DESIGN PROVIDES LARGE, RUGGED WRENCH FLATES FOR PROPER INSTALLATION.
- INTERNAL TUBE STOPS.

Cambridge Brass considers the information in this submittal form to be correct at the time of publication. Item and option availability, including specifications, are subject to change without notice.

CATALOG NO.	KITEC SIZE	KITEC SIZE	LENGTH	APPROX. WT. LBS.
118-K3K3	3/4"	3/4"	1.93"	1.2
118-K4K3	1"	3/4"	2.10"	1.7
118-K4K4	1"	1"	2.12"	1.9

Submitted by: