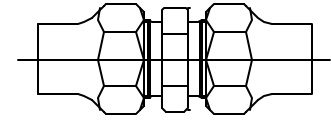


Cambridge Brass
 P.O. Box 249
 140 Orion Place
 Cambridge, Ontario
 Canada N1R 5V1
 Tel: (519) 621-5520
 Fax: (519) 621-8674
 http://www.cambridgebrass.com

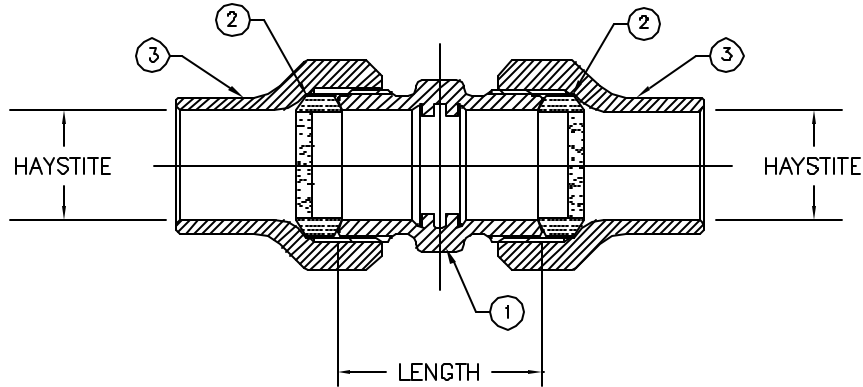


MODEL NO. 118

HAYSTITE x HAYSTITE

COUPLING
 WITH INTERNAL STOPS

FOR COPPER OR PLASTIC TUBING (CTS)



PARTS AND MATERIAL:

1. COUPLING BODY: CAST BRASS, ALLOY C83600
2. COMPRESSION SEAL: NITRILE RUBBER, WITH GRIT
3. TAILNUT: CAST BRASS, ALLOY C83600

- FEATURES:
- MANUFACTURED IN COMPLIANCE WITH AWWA STANDARD C800-05 (ASTM B-62 AND ASTM B-584, UNS NO C83600-85-5-5-5).
 - BODY DESIGN PROVIDES LARGE, RUGGED WRENCH FLATES FOR PROPER INSTALLATION.
 - BODY PROVIDES INTERNAL TUBE STOPS.

Cambridge Brass considers the information in this submittal form to be correct at the time of publication. Item and option availability, including specifications, are subject to change without notice.

CATALOG NO.	HAYSTITE	HAYSTITE	LENGTH	APPROX. WT. LBS.
118-J3J3	3/4"	3/4"	1.93"	1.0
118-J4J3	1"	3/4"	2.10"	1.5
118-J4J4	1"	1"	2.12"	1.8

Submitted by: