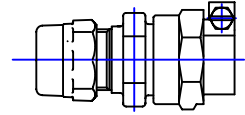


Cambridge Brass
P.O. Box 249
140 Orion Place
Cambridge, Ontario
Canada N1R 5V1
Tel: (519) 621-5520
Fax: (519) 621-8674
http://www.cambridgebrass.com

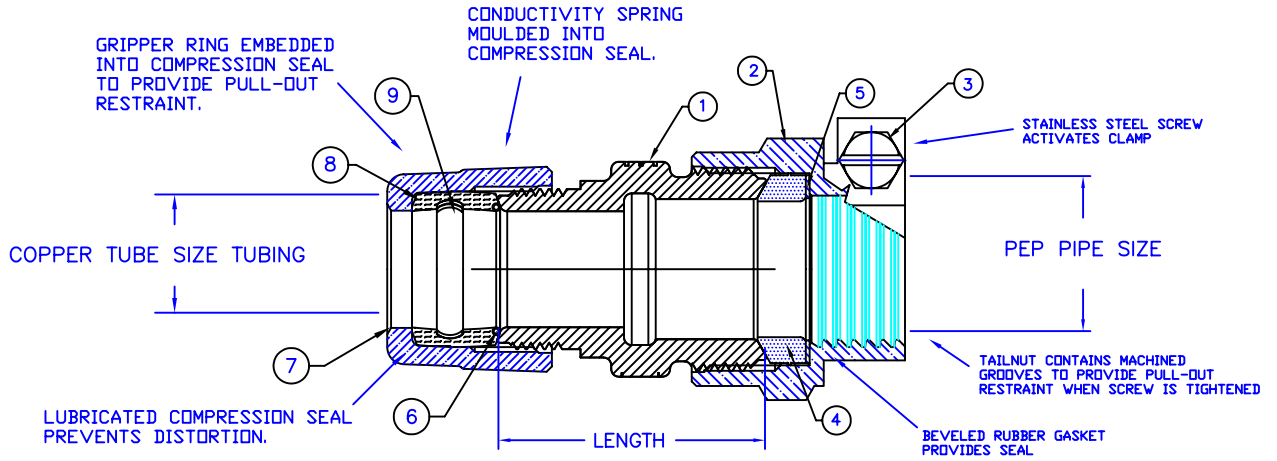


MODEL NO. 118

CB x PEP COMPRESSION

COUPLING
WITH NO INTERNAL STOPS

FOR CTS TUBING (COPPER OR PLASTIC) X IRON PIPE SIZE O.D. (IPS) PIPE



PARTS AND MATERIAL:

1. BODY: CAST BRASS, ALLOY C83600
2. PEP NUT: CAST BRASS, ALLOY C83600
3. SCREW: STAINLESS STEEL, ALLOY 304
4. GASKET: RUBBER COMPOUND NSF-61
5. ANTI-FRICTION WASHER: HDPE
6. CONDUCTOR SPRING: BRASS
7. COMPRESSION NUT: CAST BRASS, ALLOY C83600
8. COMPRESSION SEAL: NITRILE RUBBER
9. GRIPPER: STAINLESS STEEL, ALLOY 302

FEATURES:

- MANUFACTURED IN COMPLIANCE WITH AWWA STANDARD C800-05 (ASTM B-62 AND ASTM B-584, UNS NO C83600-85-5-5-5).
- CSA CLASSIFIED TO ANSI/NSF STANDARD 61-8.
- BODY PROVIDES LARGE, RUGGED WRENCH FLATS FOR EASY INSTALLATION.
- BODY PROVIDES INTERNAL TUBE STOPS.

Cambridge Brass considers the information in this submittal form to be correct at the time of publication. Item and option availability, including specifications, are subject to change without notice.

COUPLING SIZE	CATALOG NO.	CAMPAK	PEP COMPRESSION	LENGTH	APPROX. WT. LBS.
3/4"	118-H3PE3	3/4"	3/4"	2.13"	
3/4" X 1"	118-H3PE4	3/4"	1"		
1" X 3/4"	118-H4PE3	1"	3/4"		
1"	118-H4PE4	1"	1"		

Submitted by: