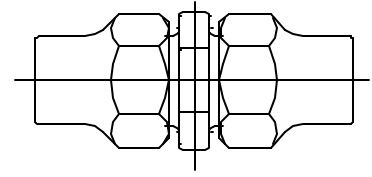


Cambridge Brass  
 P.O. Box 249  
 140 Orion Place  
 Cambridge, Ontario  
 Canada N1R 5V1  
 Tel: (519) 621-5520  
 Fax: (519) 621-8674  
 http://www.cambridgebrass.com

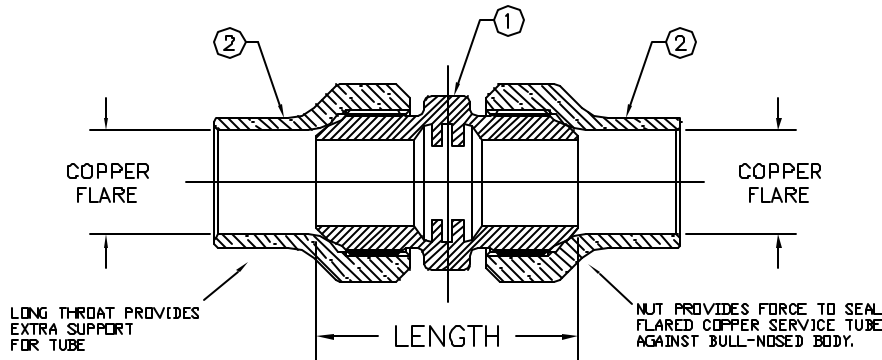


MODEL NO. 118

COPPER FLARE x COPPER FLARE

COUPLING

FOR COPPER TUBING



PARTS AND MATERIAL:

- 1. BODY: CAST BRASS, ALLOY CB3600
- 2. COPPER FLARE NUT: CAST BRASS, ALLOY C83600

FEATURES:

- MANUFACTURED IN COMPLIANCE WITH AWWA STANDARD C800-05 (ASTM B-62 AND ASTM B-584, UNS NO C83600-85-5-5-5).
- <X> CSA CLASSIFIED TO ANSI/NSF STANDARD 61-8.
- BODY DESIGN PROVIDES LARGE RUGGED WRENCH FLATS FOR PROPER INSTALLATION.

Cambridge Brass considers the information in this submittal form to be correct at the time of publication. Item and option availability, including specifications, are subject to change without notice.

CATALOG NO.	COPPER FLARE SIZE	COPPER FLARE SIZE	LENGTH	APPROX. WT. LBS.	CLASSIFIED NSF 61-8
118-C1C1	1/2"	1/2"	2.36"	0.8	X
118-C2C1	5/8"	1/2"	2.28"	0.9	X
118-C2C2	5/8"	5/8"	2.28"	1.2	X
118-C3C1	3/4"	1/2"	2.28"	1.1	X
118-C3C2	3/4"	5/8"	2.28"	1.1	X
118-C3C3	3/4"	3/4"	2.51"	1.2	X
118-C4C3	1"	3/4"	2.43"	1.6	X
118-C4C4	1"	1"	2.58"	1.9	X
118-C5C5	1 1/4"	1 1/4"	3.19"	3.8	X
118-C6C6	1 1/2"	1 1/2"	3.69"	5.1	X
118-C7C7	2"	2"	4.84"	8.5	

Submitted by: