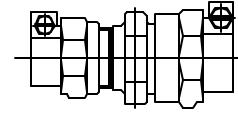


Cambridge Brass  
 P.O. Box 249  
 140 Orion Place  
 Cambridge, Ontario  
 Canada N1R 5V1  
 Tel: (519) 621-5520  
 Fax: (519) 621-8674  
 http://www.cambridgebrass.com

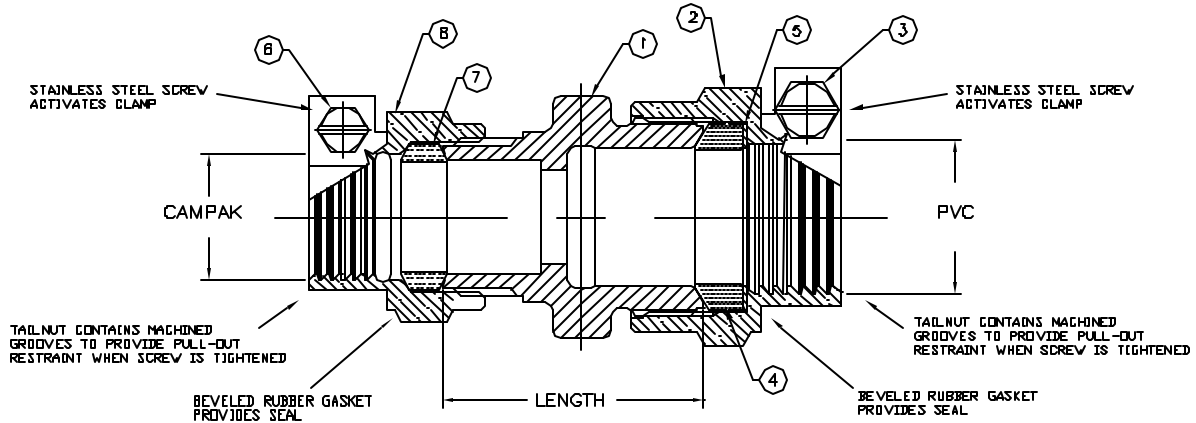


MODEL NO. 118

CAMPAK x PVC COMPRESSION

COUPLING  
 WITH INTERNAL STOPS

FOR COPPER OR PLASTIC (CTS) TUBING x PVC PIPE



- PARTS AND MATERIAL:
1. BODY: CAST BRASS, ALLOY C83600
  2. PVC NUT: CAST BRASS, ALLOY C83600
  3. SCREW: STAINLESS STEEL, ALLOY 304
  4. GASKET: RUBBER COMPOUND NSF-61
  5. ANTI-FRICTION WASHER: HDPE
  6. SCREW: STAINLESS STEEL, ALLOY 304
  7. GASKET: NITRILE RUBBER
  8. CAMPAK NUT: CAST BRASS, ALLOY C83600

FEATURES:

- MANUFACTURED IN COMPLIANCE WITH AWWA STANDARD C800-05 (ASTM B-62 AND ASTM B-584, UNS NO C83600-85-5-5-5).
- CSA CLASSIFIED TO ANSI/NSF STANDARD 61-8.
- BODY PROVIDES LARGE, RUGGED WRENCH FLATS FOR PROPER INSTALLATION.
- BODY PROVIDES INTERNAL TUBE STOPS.

Cambridge Brass considers the information in this submittal form to be correct at the time of publication. Item and option availability, including specifications, are subject to change without notice.

	CATALOG NO.	CAMPAK	PVC COMPRESSION	LENGTH	APPROX. WT. LBS.
3/4"	118-B3PJ3	3/4"	3/4"	2.10"	1.3
3/4"	118-B4PJ3	1"	3/4"	2.13"	1.4

Submitted by: