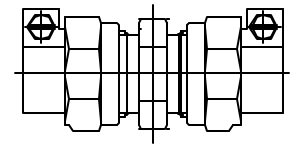


Cambridge Brass  
P.O. Box 249  
140 Orion Place  
Cambridge, Ontario  
Canada N1R 5V1  
Tel: (519) 621-5520  
Fax: (519) 621-8674  
http://www.cambridgebrass.com

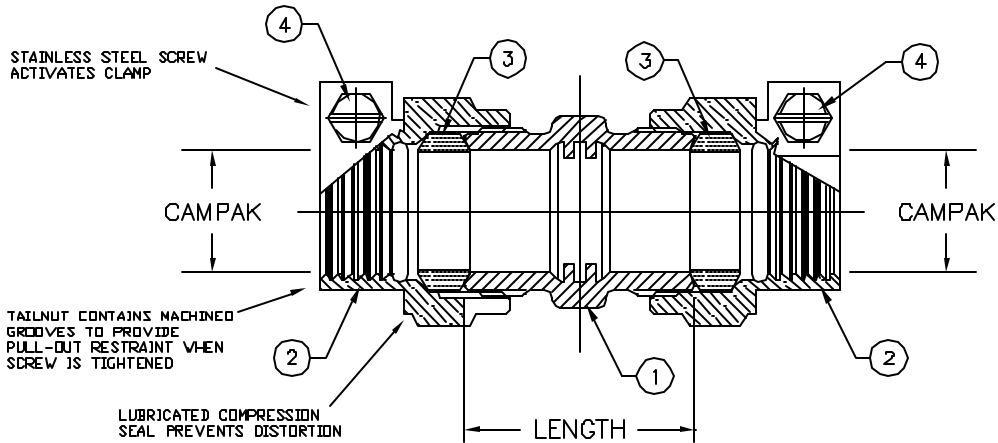


MODEL NO. 118

CAMPAK x CAMPAK

COUPLING  
WITH INTERNAL STOPS

FOR COPPER OR PLASTIC (CTS) TUBING



PARTS AND MATERIAL:

1. COUPLING BODY: CAST BRASS, ALLOY C83600
2. CAMPAK NUT: CAST BRASS, ALLOY C83600
3. COMPRESSION SEAL: NITRILE RUBBER
4. SCREW: STAINLESS STEEL, TYPE 304

FEATURES:

- MANUFACTURED IN COMPLIANCE WITH AWWA STANDARD C800-05 (ASTM B-62 AND ASTM B-584, UNS NO C83600-85-5-5-5).
- <X> CSA CLASSIFIED TO ANSI/NSF STANDARD 61-8.
- BODY DESIGN PROVIDES LARGE, RUGGED WRENCH FLATES FOR PROPER INSTALLATION.
- BODY PROVIDES INTERNAL TUBE STOPS.

Cambridge Brass considers the information in this submittal form to be correct at the time of publication. Item and option availability, including specifications, are subject to change without notice.

CATALOG NO.	CAMPAK SIZE	CAMPAK SIZE	LENGTH	APPROX. WT. LBS.	CLASSIFIED NSF 61-8
118-B2B1	5/8"	1/2"	2.10"	1.0	X
118-B3B1	3/4"	1/2"	1.90"	1.0	X
118-B3B2	3/4"	5/8"	1.92"	1.0	X
118-B3B3	3/4"	3/4"	1.93"	1.0	X
118-B4B3	1"	3/4"	2.10"	1.4	X
118-B4B4	1"	1"	2.12"	1.5	X
118-B6B6	1 1/2"	1 1/2"	2.78"	3.7	X
118-B7B7	2"	2"	3.04"	5.3	

Submitted by: