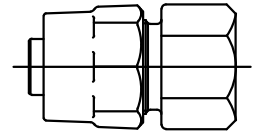


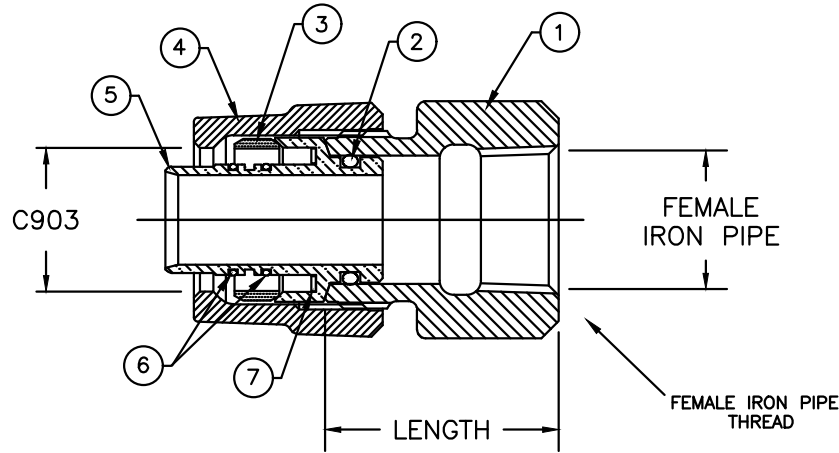
Cambridge Brass
P.O. Box 249
140 Orion Place
Cambridge, Ontario
Canada N1R 5V1
Tel: (519) 621-5520
Fax: (519) 621-8674
http://www.cambridgebrass.com



MODEL NO. 117NL

C903 x FEMALE IRON PIPE

NO LEAD ADAPTOR



PARTS AND MATERIAL:

1. BODY: NO LEAD CAST BRASS, ALLOY C89833
2. O-RING: NITRILE RUBBER
3. GRIPPER: BRASS, ALLOY C51000
4. C903 NUT: CAST BRASS, ALLOY C83600
5. INSERT: COPPER, ALLOY C23000
6. O-RING: NITRILE RUBBER
7. INSULATOR: POLYETHYLENE

FEATURES

- CONFORMS TO AWWA C800 (ASTM B584 UNS C89833 FOR BRASS PARTS IN CONTACT WITH POTABLE WATER)
- CONFORMS TO ANSI/NSF 61-8
- CONFORMS TO ANSI/NSF 372 (COMPLIANT WITH US Safe Drinking Water Act. PL 111-380)
- BODY AND NUTS PROVIDE WRENCH FLATS FOR INSTALLATION
- 300PSI WORKING PRESSURE

Cambridge Brass considers the information in this submittal form to be correct at the time of publication. Item and option availability, including specifications, are subject to change without notice.

COUPLING SIZE	CATALOG NO.	C903	FEMALE IRON PIPE	LENGTH	APPROX. WT. LBS.
3/4"	117NL-K3F3	3/4"	3/4"	1.65"	0.8
1" x 3/4"	117NL-K4F3	1"	3/4"	1.74"	1.2
1"	117NL-K4F4	1"	1"	1.84"	1.3

Submitted by: