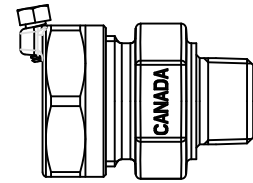


Cambridge Brass
P.O. Box 249
140 Orion Place
Cambridge, Ontario
Canada N1R 5V1
Tel: (519) 621-5520
Fax: (519) 621-8674
http://www.cambridgebrass.com

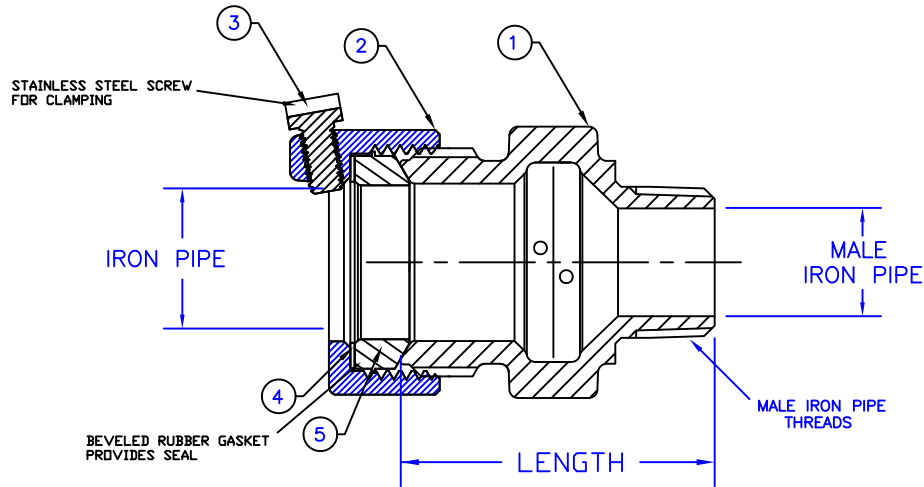


MODEL NO. 117NL

IRON PIPE x
MALE IRON PIPE

ADAPTOR

FOR IRON PIPE x THREADED PIPE



- PARTS AND MATERIAL:
1. BODY: CAST BRASS, ALLOY C89833
 2. IRON PIPE NUT: CAST BRASS, ALLOY C83600
 3. SCREW: STAINLESS STEEL, ALLOY 304
 4. ANTI-FRICTION WASHER: HDPE
 5. GASKET: RUBBER COMPOUND NSF-61

- FEATURES:
- MANUFACTURED IN COMPLIANCE WITH AWWA STANDARD C800-05 (ASTM B-62 AND ASTM B-584, UNS NO C89833(NL), C83600-85-5-5-5).
 - <X> CSA CLASSIFIED TO ANSI/NSF STANDARD 61-8.
 - BODY PROVIDES LARGE, RUGGED WRENCH FLATS FOR PROPER INSTALLATION.

Cambridge Brass considers the information in this submittal form to be correct at the time of publication. Item and option availability, including specifications, are subject to change without notice.

COUPLING SIZE	CATALOG NO.	IRON PIPE COMPRESSION	MALE IRON PIPE	LENGTH	APPROX. WT. LBS.	CLASSIFIED NSF 61-8
1/2"	117NL-IP1M1	1/2"	1/2"	1.71"		X
3/4"	117NL-IP3M3	3/4"	3/4"	2.18"		X

Submitted by: