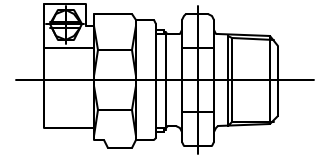


Cambridge Brass  
 P.O. Box 249  
 140 Orion Place  
 Cambridge, Ontario  
 Canada N1R 5V1  
 Tel: (519) 621-5520  
 Fax: (519) 621-8674  
 http://www.cambridgebrass.com

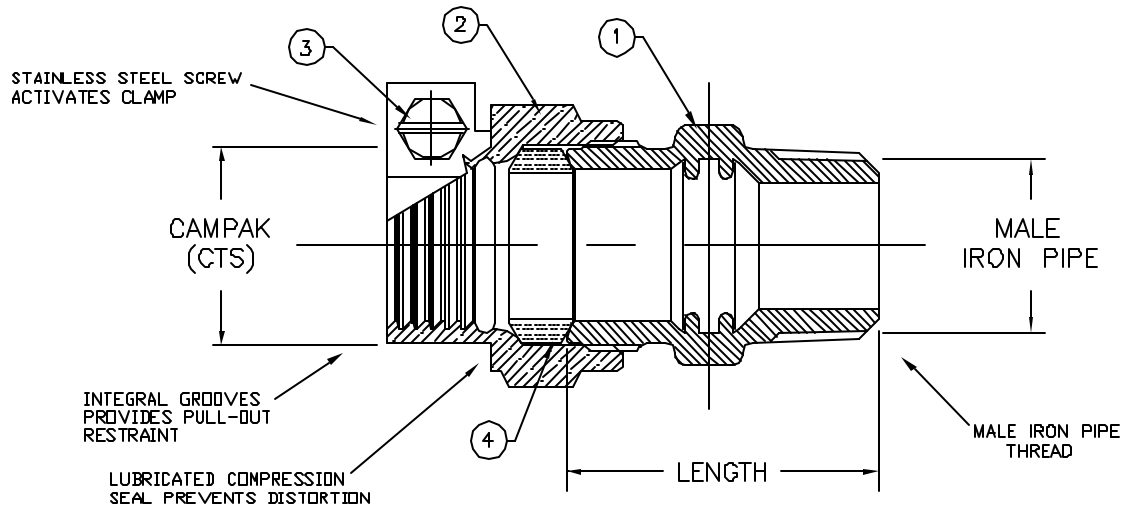


MODEL NO. 117NL

CAMPAK x MALE IRON PIPE

COUPLING

CAMPAK BY MALE IRON PIPE FOR COPPER OR PLASTIC TUBING (CTS)



PARTS AND MATERIAL:

1. COUPLING BODY: CAST BRASS, ALLOY C89833
2. CAMPAK NUT: CAST BRASS, ALLOY C83600
3. SCREW: STAINLESS STEEL, ALLOY 304
4. COMPRESSION SEAL: NITRILE RUBBER

FEATURES:

MANUFACTURED IN COMPLIANCE WITH AWWA STANDARD C800 AND NSF 61-B. BODY PROVIDES LARGE, RUGGED WRENCH FLATS FOR PROPER INSTALLATION.

Cambridge Brass considers the information in this submittal form to be correct at the time of publication. Item and option availability, including specifications, are subject to change without notice.

COUPLING SIZE	CATALOG NO.	CAMPAK	MALE IRON PIPE	LENGTH	APPROX. WT. LBS.
1/2" x 1/2"	117NL-B1M1	1/2"	1/2"	2.23"	
1/2" x 3/4"	117NL-B1M3	1/2"	3/4"	2.14"	
5/8" x 3/4"	117NL-B2M3	5/8"	3/4"	2.16"	
3/4" x 1/2"	117NL-B3M1	3/4"	1/2"	1.76"	
3/4"	117NL-B3M3	3/4"	3/4"	1.86"	
3/4" x 1"	117NL-B3M4	3/4"	1"	1.99"	
1" x 3/4"	117NL-B4M3	1"	3/4"	2.02"	
1"	117NL-B4M4	1"	1"	2.08"	
1 1/2"	117NL-B6M6	1 1/2"	1 1/2"	2.53"	
2"	117NL-B7M7	2"	2"	3.01"	

Submitted by: