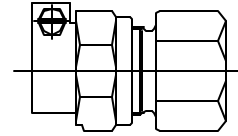


Cambridge Brass
P.O. Box 249
140 Orion Place
Cambridge, Ontario
Canada N1R 5V1
Tel: (519) 621-5520
Fax: (519) 621-8674
http://www.cambridgebrass.com

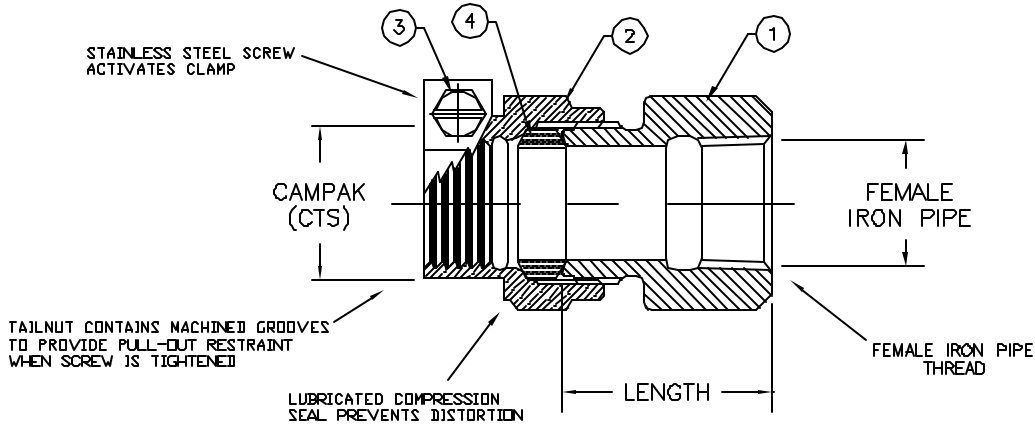


MODEL NO. 117NL

CAMPAK x FEMALE IRON PIPE

ADAPTOR

FOR COPPER OR PLASTIC TUBING (CTS) x THREADED PIPE



PARTS AND MATERIAL:

1. BODY: CAST BRASS, ALLOY C89833
2. CAMPAK NUT: CAST BRASS, ALLOY C83600
3. SCREW: STAINLESS STEEL, ALLOY 304
4. COMPRESSION SEAL: NITRILE RUBBER

FEATURES:

- MANUFACTURED IN COMPLIANCE WITH AWWA STANDARD C800-05 (ASTM B-584, UNS NO C89833).
- CSA CLASSIFIED TO ANSI/NSF STANDARD B1-8.
- BODY PROVIDES LARGE, RUGGED WRENCH FLATS FOR PROPER INSTALLATION.

Cambridge Brass considers the information in this submittal form to be correct at the time of publication. Item and option availability, including specifications, are subject to change without notice.

COUPLING SIZE	CATALOG NO.	CAMPAK (CTS)	FEMALE IRON PIPE	LENGTH	APPROX. WT. LBS.
1/2" x 1/2"	117NL-B1F1	1/2"	1/2"	2.23"	
5/8" x 3/4"	117NL-B2F3	5/8"	3/4"	1.51"	
3/4" x 1/2"	117NL-B3F1	3/4"	1/2"	1.59"	
3/4"	117NL-B3F3	3/4"	3/4"	1.65"	
3/4" x 1"	117NL-B3F4	3/4"	1"	1.74"	
1" x 3/4"	117NL-B4F3	1"	3/4"	1.84"	
1"	117NL-B4F4	1"	1"	1.84"	
1 1/2"	117NL-B6F6	1 1/2"	1 1/2"	2.80"	
2"	117NL-B7F7	2"	2"	2.75"	

Submitted by: