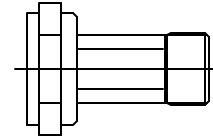


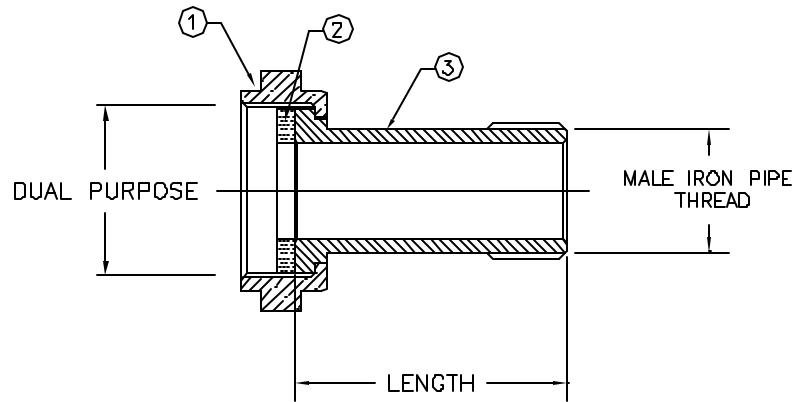
Cambridge Brass  
 P.O. Box 249  
 140 Orion Place  
 Cambridge, Ontario  
 Canada N1R 5V1  
 Tel: (519) 621-5520  
 Fax: (519) 621-8674  
 http://www.cambridgebrass.com



MODEL NO. 417

DUAL PURPOSE NUT x MALE IRON PIPE

COUPLING



PARTS AND MATERIAL:

- 1. DUAL PURPOSE NUT: CAST BRASS, ALLOY C84400
- 2. GASKET: NITRILE RUBBER
- 3. TAILPIECE: CAST BRASS, ALLOY CB3600

FEATURES:

- MANUFACTURED IN COMPLIANCE WITH AWWA STANDARD C800. (ASTM B-62 AND ASTM B-584, UNS NO C83600-85-5-5-5).
- BODY HAS HEX ON BARREL TO FACILITATE INSTALLATION.
- SLIP-ON DUAL PURPOSE NUT.

Cambridge Brass considers the information in this submittal form to be correct at the time of publication. Item and option availability, including specifications, are subject to change without notice.

CATALOG NO.	DUAL PURPOSE NUT	MALE IRON PIPE	LENGTH	APPROX. WT. LBS.
417-D3M4	3/4"	1"	2.00"	0.6

Submitted by: