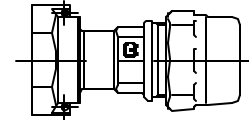


Cambridge Brass
P.O. Box 249
140 Orion Place
Cambridge, Ontario
Canada N1R 5V1
Tel: (519) 621-5520
Fax: (519) 621-8674
http://www.cambridgebrass.com

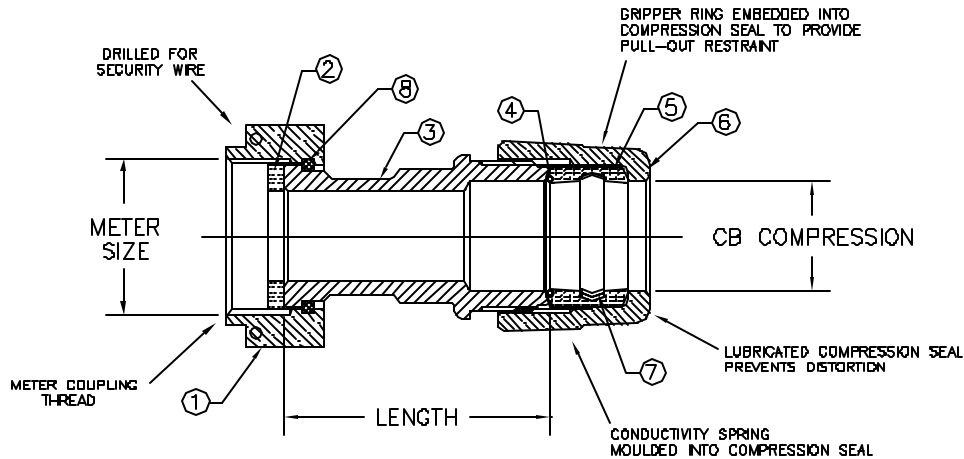


MODEL NO. 417

METER SWIVEL NUT x CB COMPRESSION

METER COUPLING

FOR COPPER OR PLASTIC TUBING (CTS)



PARTS AND MATERIAL:

1. METER SWIVEL NUT: CAST BRASS, ALLOY CB4400
2. GASKET: NEOPRENE RUBBER
3. TAILPIECE: CAST BRASS, ALLOY CB3600
4. CONDUCTOR SPRING: BRASS
5. COMPRESSION SEAL: NITRILE RUBBER
6. COMPRESSION NUT: CAST BRASS, ALLOY CB3600
7. GRIPPER: STAINLESS STEEL, ALLOY 302
8. RETAINER RING: PHOSPOR BRONZE WIRE

FEATURES:

- MANUFACTURED IN COMPLIANCE WITH AWWA STANDARD C800-05 (ASTM B-62 AND ASTM B-584, UNS NO C83600-85-5-5-5).
- BODY HAS HEAVY HEX ON BARREL TO FACILITATE INSTALLATION.
- METER SWIVEL NUT IS NOT REMOVABLE.
- CONFORMS TO AWWA C700 FOR METER THREADS.

Cambridge Brass considers the information in this submittal form to be correct at the time of publication. Item and option availability, including specifications, are subject to change without notice.

CATALOG NO.	METER SIZE	METER THREAD	CB COMPRESSION	LENGTH	APPROX. WT. LBS.
417-T1H3	5/8"	3/4" NPSM	3/4"	2.20"	0.9
417-T3H3	5/8"x3/4" & 3/4"	1" NPSM	3/4"	2.20"	0.9
417-T4H4	1"	1 1/4" NPSM	1"	2.50"	

Submitted by: