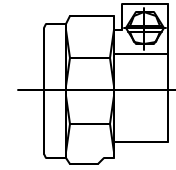


Cambridge Brass
 P.O. Box 249
 140 Orion Place
 Cambridge, Ontario
 Canada N1R 5V1
 Tel: (519) 621-5520
 Fax: (519) 621-8674
<http://www.cambridgebrass.com>

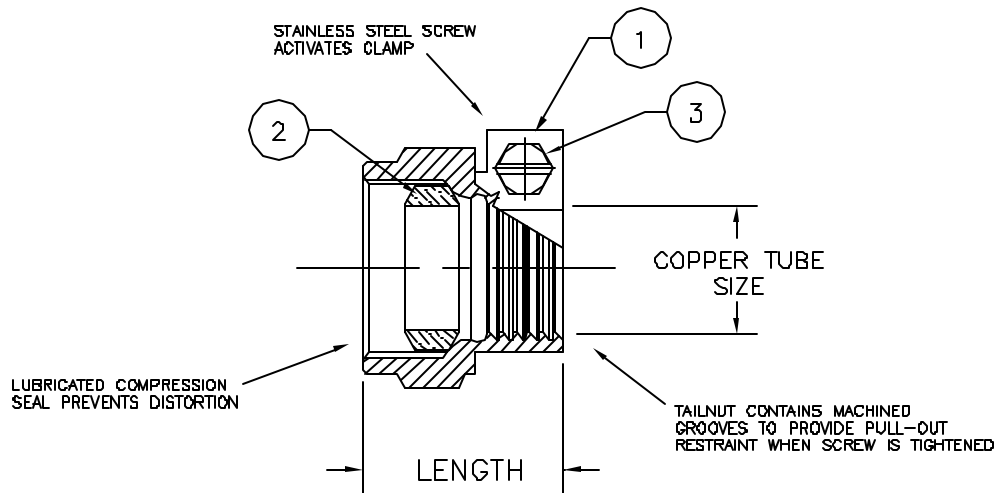


MODEL NO. 81

CAMPAK

CAMPAK
 NUT ASSEMBLY

FOR COPPER OR PLASTIC TUBING (CTS)



- PARTS AND MATERIAL:
1. TAILNUT: CAST BRASS, ALLOY C83600
 2. COMPRESSION SEAL: NITRILE RUBBER
 3. SCREW: STAINLESS STEEL, ALLOY 304

FEATURES:
 - MANUFACTURED IN COMPLIANCE WITH AWWA STANDARD C800-05 (ASTM B-62 AND ASTM B-584, UNS NO C83600-B5-5-5-5).

Cambridge Brass considers the information in this submittal form to be correct at the time of publication. Item and option availability, including specifications, are subject to change without notice.

CATALOG NO.	CAMPAK FOR CTS	LENGTH	APPROX. WT. LBS.
81-B1	1/2"	1.42"	
81-B2	5/8"	1.42"	
81-B3	3/4"	1.57"	
81-B4	1"	1.72"	
81-B6	1 1/2"	2.39"	
81-B7	2"	2.75"	

Submitted by: