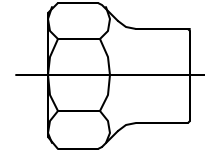


Cambridge Brass
P.O. Box 249
140 Orion Place
Cambridge, Ontario
Canada N1R 5V1
Tel: (519) 621-5520
Fax: (519) 621-8674
http://www.cambridgebrass.com

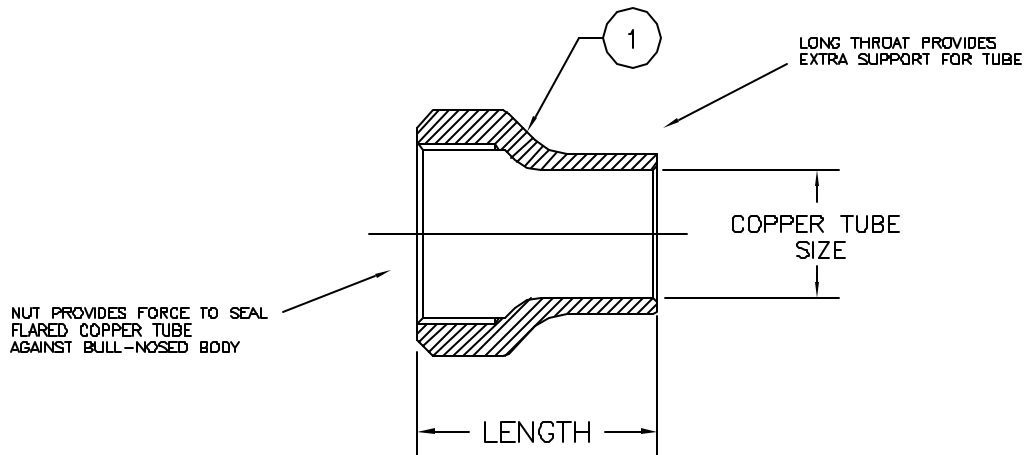


MODEL NO. 81

COPPER FLARE

COPPER FLARE
NUT

FOR COPPER TUBE



PARTS AND MATERIAL:
1. TAILNUT: CAST BRASS, ALLOY C83600

FEATURES:
- MANUFACTURED IN COMPLIANCE WITH AWWA STANDARD C800--05
(ASTM B-62 AND ASTM B-584, UNS NO C83600-85-5-5-5).

Cambridge Brass considers the information in this submittal form to be correct at the time of publication. Item and option availability, including specifications, are subject to change without notice.

CATALOG NO.	COPPER FLARE FOR CTS	LENGTH	APPROX. WT. LBS.
81-C1	1/2"	1.17"	
81-C2	5/8"	1.31"	
81-C3	3/4"	1.70"	
81-C4	1"	2.16"	
81-C5	1 1/4"	1.85"	
81-C6	1 1/2"	2.66"	
81-C7	2"	3.00"	

Submitted by: