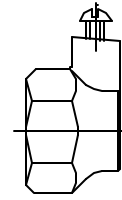


Cambridge Brass
P.O. Box 249
140 Orion Place
Cambridge, Ontario
Canada N1R 5V1
Tel: (519) 621-5520
Fax: (519) 621-8674
http://www.cambridgebrass.com

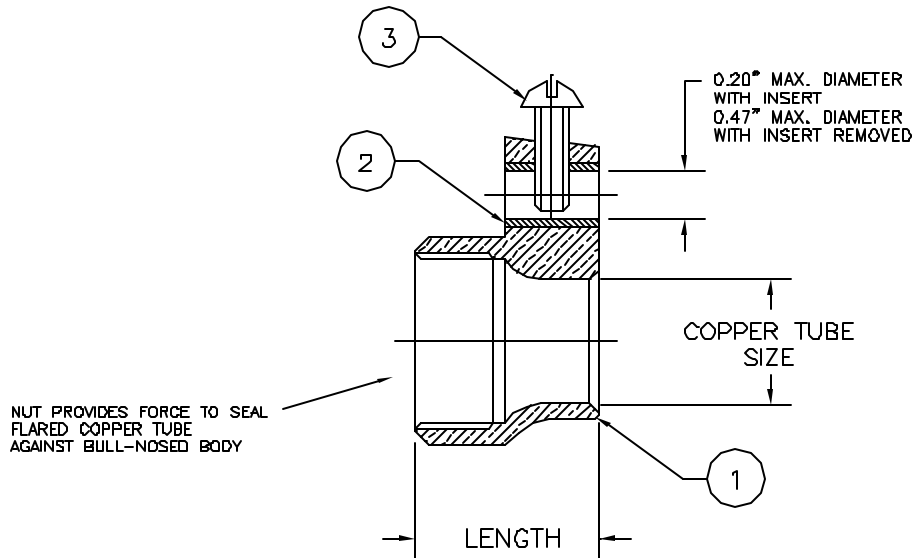


MODEL NO. 81

COPPER FLARE ELECTRICAL

COPPER FLARE ELECTRICAL NUT ASSEMBLY

FOR COPPER TUBE



NUT PROVIDES FORCE TO SEAL
FLARED COPPER TUBE
AGAINST BULL-NOSED BODY

- PARTS AND MATERIAL:
- 1. TAILNUT: CAST BRASS, ALLOY C83600
 - 2. INSERT: COPPER, ALLOY C14500
 - 3. SCREW: SILICONE BRONZE

- FEATURES:
- MANUFACTURED IN COMPLIANCE WITH AWWA STANDARD C800-05 (ASTM B-62 AND ASTM B-584, UNS NO C83600-85-5-5-5).
 - BOSS FOR TRACING WIRE.

Cambridge Brass considers the information in this submittal form to be correct at the time of publication. Item and option availability, including specifications, are subject to change without notice.

CATALOG NO.	COPPER FLARE ELECTRICAL FOR CTS	LENGTH	APPROX. WT. LBS.
81-CE3	3/4"	1.32"	
81-CE4	1"	1.60"	

Submitted by: