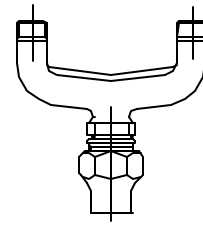


Cambridge Brass  
P.O. Box 249  
140 Orion Place  
Cambridge, Ontario  
Canada N1R 5V1  
Tel: (519) 621-5520  
Fax: (519) 621-8674  
http://www.cambridgebrass.com

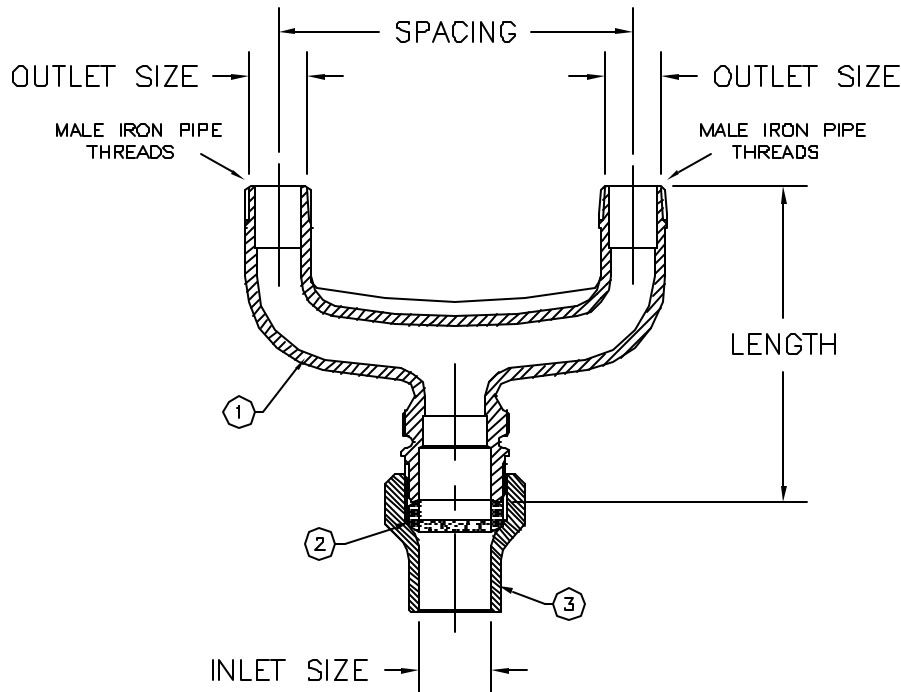


MODEL NO. 172

HAYSTITE x M.I.P. x M.I.P.

U-BRANCH

HAYSTITE COMPRESSION JOINT FOR COPPER OR PLASTIC TUBING (CTS) INLET BY MALE IRON PIPE THREAD OUTLETS



PARTS AND MATERIAL:

- 1. BODY: CAST BRASS, ALLOY C83600
- 2. COMPRESSION SEAL: NITRILE RUBBER, WITH GRIT
- 3. COMPRESSION NUT: CAST BRASS, ALLOY C83600

FEATURES:

- MANUFACTURED IN COMPLIANCE WITH AWWA STANDARD C800-05 (ASTM B-62 AND ASTM B-584, UNS NQ C83600-85-5-5-5).

Cambridge Brass considers the information in this submittal form to be correct at the time of publication. Item and option availability, including specifications, are subject to change without notice.

CATALOG NO.	INLET SIZE	OUTLET SIZE	SPACING	LENGTH	APPROX. WT. LBS.
172-J4M3	1" HAYSTITE	3/4" MIP	5.62"	5.02"	
172-J4M36500	1" HAYSTITE	3/4" MIP	6.50"	3.91"	
172-J4M37500	1" HAYSTITE	3/4" MIP	7.50"	3.96"	

Submitted by: