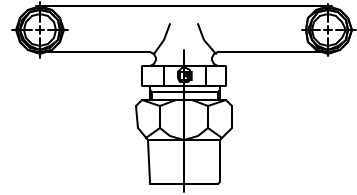


Cambridge Brass
P.O. Box 249
140 Orion Place
Cambridge, Ontario
Canada N1R 5V1
Tel: (519) 621-5520
Fax: (519) 621-8674
http://www.cambridgebrass.com

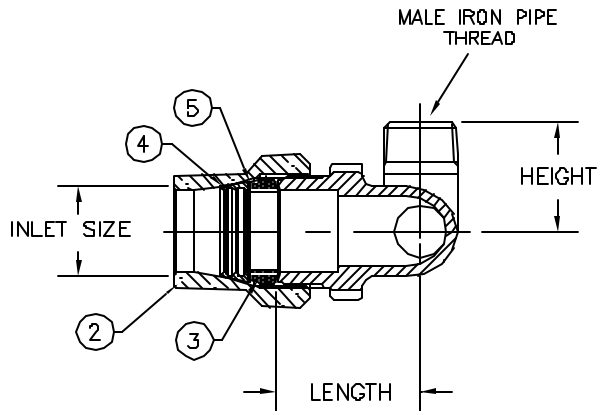
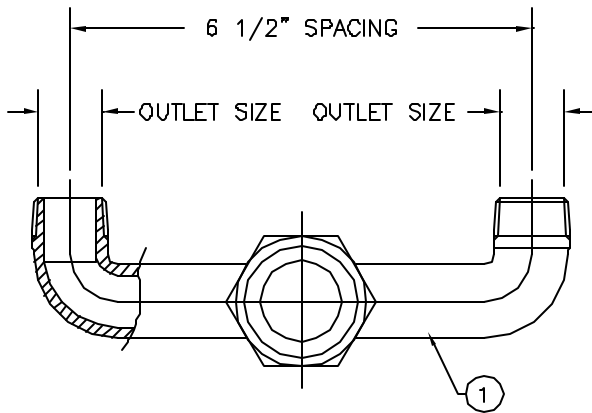


MODEL NO. 171

GRIP JOINT x
MALE IRON PIPE

90 DEGREE U-BRANCH

GRIP JOINT FOR COPPER OR PLASTIC (CTS) TUBING INLET
BY TWO-MALE IRON PIPE THREAD OUTLETS



PARTS AND MATERIAL:

1. BRANCH BODY: CAST BRASS, ALLOY C83600
2. GRIP JOINT NUT: CAST BRASS, ALLOY C83600
3. GASKET: NITRILE RUBBER
4. GRIPPER: BRASS, ALLOY C26000
5. WASHER: PLOYETHYLENE

FEATURES:

- MANUFACTURED IN COMPLIANCE WITH AWWA STANDARD C800-05 (ASTM B-62 AND ASTM B-584, UNS NO C83600-85-5-5-5).
- CSA CLASSIFIED TO ANSI/NSF STANDARD 61-B.

Cambridge Brass considers the information in this submittal form to be correct at the time of publication. Item and option availability, including specifications, are subject to change without notice.

CATALOG NO.	INLET SIZE GRIP JOINT	OUTLET SIZE MALE IRON PIPE	HEIGHT	LENGTH	APPROX. WT. LBS.
171-GJ4M3	1"	3/4"	1.47"	2.02"	2.0

Submitted by: