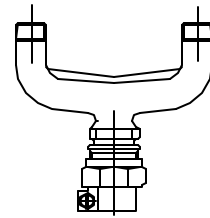


Cambridge Brass
P.O. Box 249
140 Orion Place
Cambridge, Ontario
Canada N1R 5V1
Tel: (519) 621-5520
Fax: (519) 621-8674
http://www.cambridgebrass.com

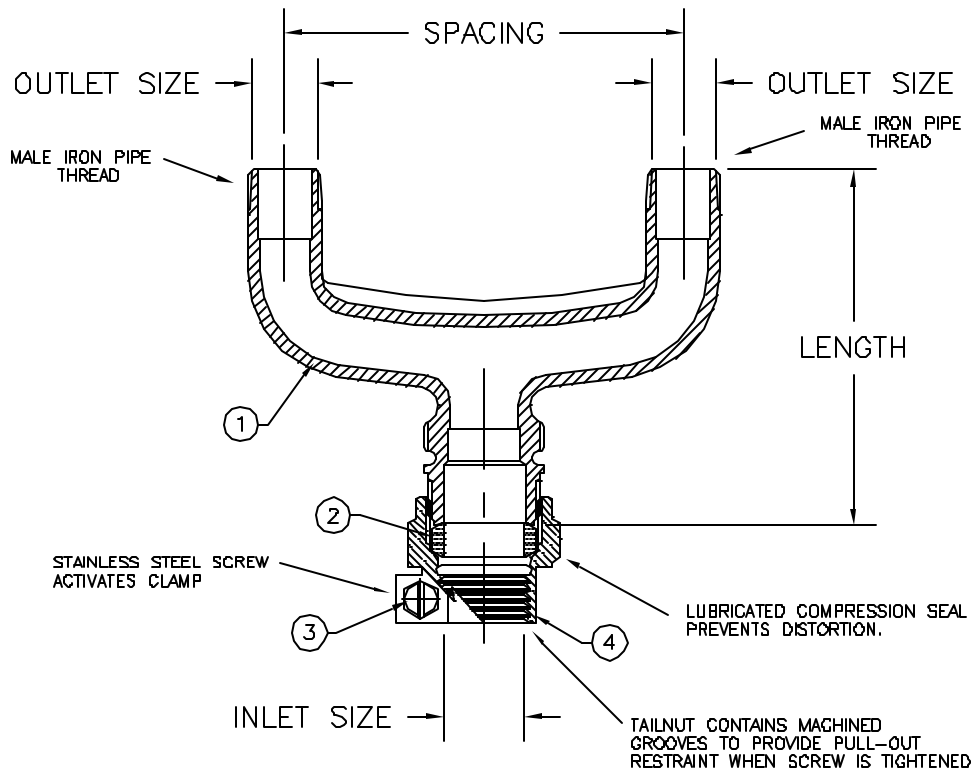


MODEL NO. 172

CAMPAK x M.I.P. x M.I.P.

U-BRANCH

CAMPAK COMPRESSION JOINT FOR COPPER OR PLASTIC TUBING (CTS) INLET BY MALE IRON PIPE THREAD OUTLETS



PARTS AND MATERIAL:

1. BODY - CAST BRASS, ALLOY C83600
2. COMPRESSION SEAL - NITRILE RUBBER
3. SCREW - STAINLESS STEEL, ALLOY 304
4. CAMPAK NUT - CAST BRASS, ALLOY C83600

FEATURES:

- MANUFACTURED IN COMPLIANCE WITH AWWA STANDARD C800-05 (ASTM B-62 AND ASTM B-584, UNS NO C83600-85-5-5-5).
- CSA CLASSIFIED TO ANSI/NSF STANDARD 61-8.

Cambridge Brass considers the information in this submittal form to be correct at the time of publication. Item and option availability, including specifications, are subject to change without notice.

CATALOG NO.	INLET SIZE	OUTLET SIZE	SPACING	LENGTH	APPROX. WT. LBS.
172-B4M3	1" CAMPAK	3/4" MIP	5.62"	5.02"	
172-B4M36500	1" CAMPAK	3/4" MIP	6.50"	3.91"	
172-B4M37500	1" CAMPAK	3/4" MIP	7.50"	3.96"	

Submitted by: