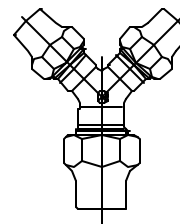


Cambridge Brass  
 P.O. Box 249  
 140 Orion Place  
 Cambridge, Ontario  
 Canada N1R 5V1  
 Tel: (519) 621-5520  
 Fax: (519) 621-8674  
 http://www.cambridgebrass.com

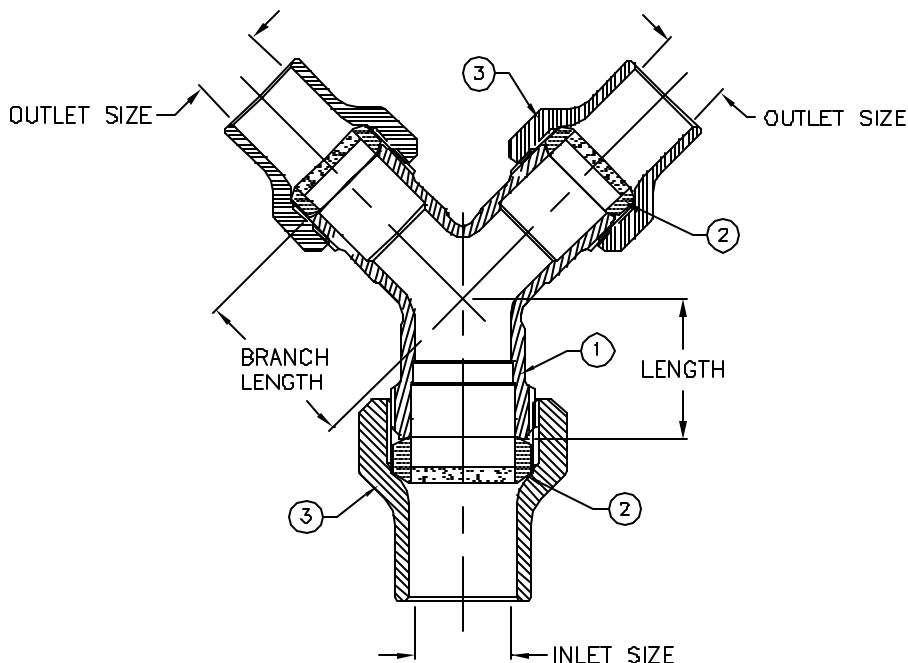


MODEL NO. 152

HAYSTITE x HAYSTITE x HAYSTITE

WYE — BRANCH

FOR COPPER OR PLASTIC (CTS) TUBING



PARTS AND MATERIAL:

- 1. BODY: CAST BRASS, ALLOY CB3600
- 2. COMPRESSION SEAL: NITRILE RUBBER, WITH GRIT
- 3. TAILNUT: CAST BRASS, ALLOY CB3600

FEATURES:

- MANUFACTURED IN COMPLIANCE WITH AWWA STANDARD C800-05 (ASTM B-62 AND ASTM B-584, UNS NO C83600-85-5-5-5).

Cambridge Brass considers the information in this submittal form to be correct at the time of publication. Item and option availability, including specifications, are subject to change without notice.

SIZE	CATALOG NO.	INLET SIZE	OUTLET SIZE	LENGTH	BRANCH LENGTH	APPROX. WT. LBS.
1" x 3/4" x 3/4"	152-J4J3	1"	3/4"	1.56"	1.83"	

Submitted by: