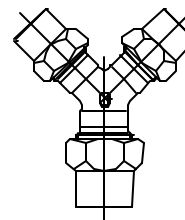


Cambridge Brass
P.O. Box 249
140 Orion Place
Cambridge, Ontario
Canada N1R 5V1
Tel: (519) 621-5520
Fax: (519) 621-8674
http://www.cambridgebrass.com

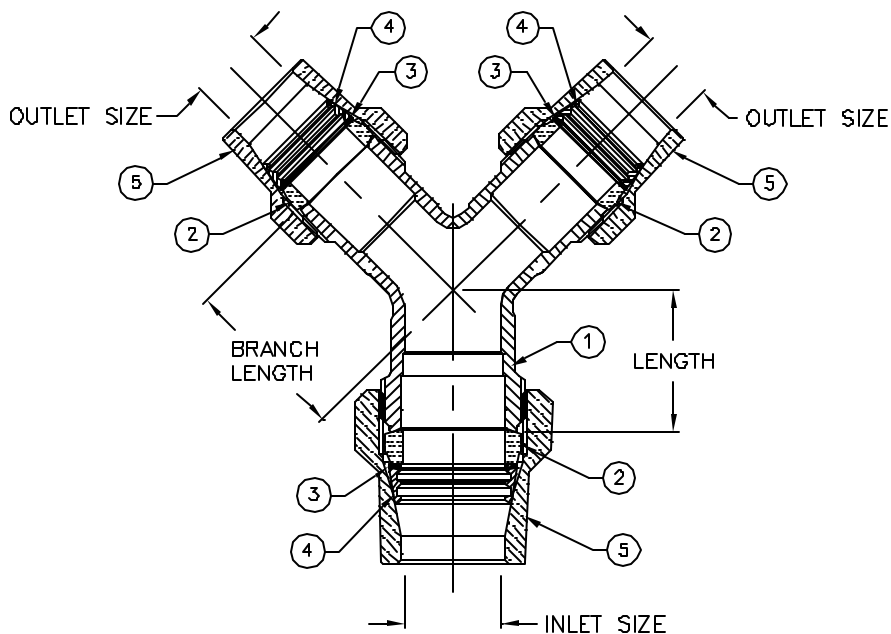


MODEL NO. 152

GRIP JOINT x
GRIP JOINT x GRIP JOINT

WYE — BRANCH

FOR COPPER OR PLASTIC (CTS) TUBING



PARTS AND MATERIAL:

- 1. BODY: CAST BRASS, ALLOY C83600
- 2. GASKET: NITRILE RUBBER
- 3. WASHER: POLYETHYLENE
- 4. GRIPPER: BRASS, ALLOY C26000
- 5. TAILNUT: CAST BRASS, ALLOY C83600

FEATURES:

- MANUFACTURED IN COMPLIANCE WITH AWWA STANDARD C800-05 (ASTM B-62 AND ASTM B-584, UNS NO C8360-86-5-5-5).
- CSA CLASSIFIED TO ANSI/NSF STANDARD 61-8.

Cambridge Brass considers the information in this submittal form to be correct at the time of publication. Item and option availability, including specifications, are subject to change without notice.

SIZE	CATALOG NO.	INLET SIZE	OUTLET SIZE	LENGTH	BRANCH LENGTH	APPROX. WT. LBS.
1" x 3/4" x 3/4"	152-GJ4GJ3	1"	3/4"	1.56"	1.83"	2.1

Submitted by: