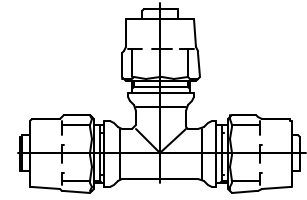


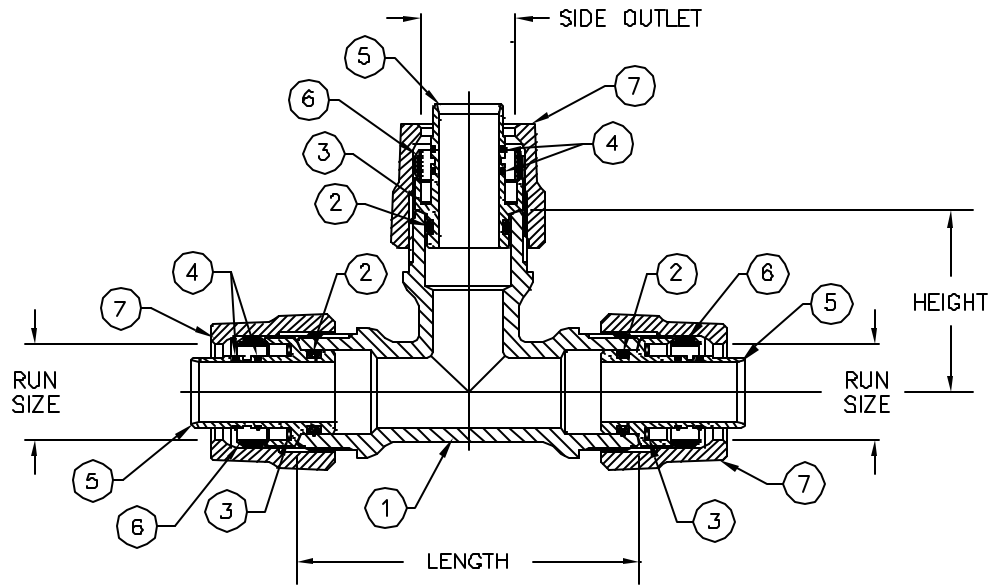
Cambridge Brass  
P.O. Box 249  
140 Orion Place  
Cambridge, Ontario  
Canada N1R 5V1  
Tel: (519) 621-5520  
Fax: (519) 621-8674  
http://www.cambridgebrass.com



MODEL NO. 150

KITEC x KITEC x KITEC

SERVICE TEE



**PARTS AND MATERIAL:**

1. TEE BODY: CAST BRASS, ALLOY C83600
2. O-RING: NITRILE RUBBER
3. INSULATOR: POLYETHYLENE
4. O-RING: NITRILE RUBBER
5. INSERT: COPPER, ALLOY C23000
6. GRIPPER: BRASS, ALLOY C26000
7. KITEC NUT: CAST BRASS, ALLOY C83600

**FEATURES:**

- MANUFACTURED IN COMPLIANCE WITH AWWA STANDARD C800-05 (ASTM B-62 AND ASTM B-584, UNS NO C83600-85-5-5-5).
- CSA CLASSIFIED TO ANSI/NSF STANDARD 61-8.

Cambridge Brass considers the information in this submittal form to be correct at the time of publication. Item and option availability, including specifications, are subject to change without notice.

| TEE SIZE         | CATALOG NO. | RUN KITEC (BOTH ENDS) | SIDE OUTLET KITEC | LENGTH | HEIGHT | APPROX. WT. LBS. |
|------------------|-------------|-----------------------|-------------------|--------|--------|------------------|
| 3/4"x 3/4"x 3/4" | 150-K3K3    | 3/4"                  | 3/4"              | 3.66"  | 1.96"  |                  |
| 1"x 1"x 1"       | 150-K4K4    | 1"                    | 1"                | 5.10"  | 2.54"  |                  |

Submitted by: