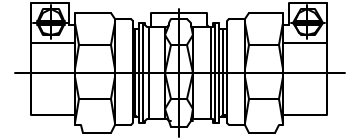


Cambridge Brass
P.O. Box 249
140 Orlon Place
Cambridge, Ontario
Canada N1R 5V1
Tel: (519) 621-5520
Fax: (519) 621-8674
http://www.cambridgebrass.com

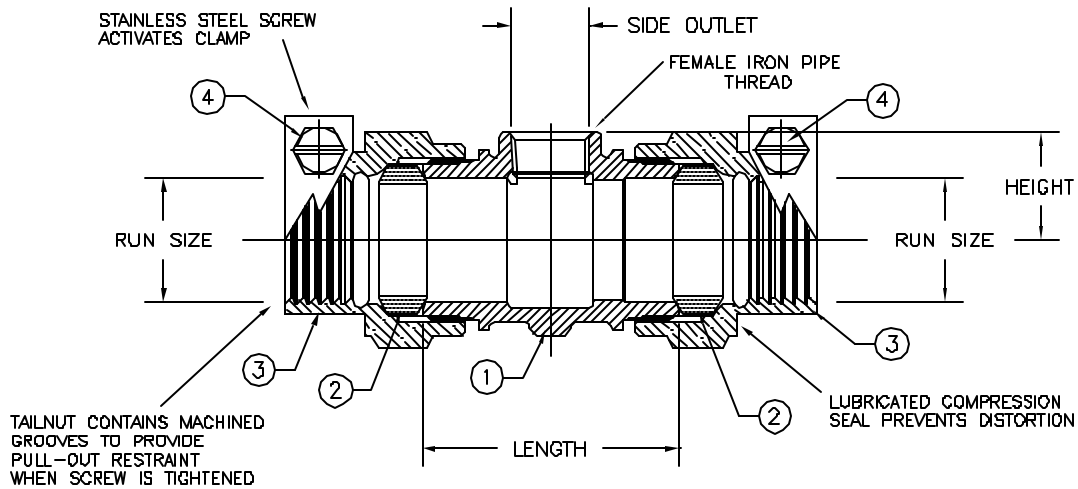


MODEL NO. 151

CAMPAK x CAMPAK x FEMALE IRON PIPE

SERVICE TEE

FOR COPPER OR PLASTIC (CTS) TUBING BY THREADED PIPE OUTLET



PARTS AND MATERIAL:

- 1. TEE BODY: CAST BRASS, ALLOY C83600
- 2. COMPRESSION SEAL: NITRILE RUBBER
- 3. CAMPAK NUT: CAST BRASS, ALLOY C83600
- 4. SCREW: STAINLESS STEEL, ALLOY 304

FEATURES:

- MANUFACTURED IN COMPLIANCE WITH AWWA STANDARD C800-05 (ASTM B-62 AND ASTM B-584, UNS NO C83600-85-5-5).
- <X> CSA CLASSIFIED TO ANSI/NSF STANDARD 61-8.

Cambridge Brass considers the information in this submittal form to be correct at the time of publication. Item and option availability, including specifications, are subject to change without notice.

TEE SIZE	CATALOG No.	RUN SIZE CAMPAK	SIDE OUTLET F.I.P.	LENGTH	HEIGHT	APPROX. WT. LBS.	CLASSIFIED NSF 61-8
1" x 1"	151-B4F4	1"	1"	5.10"	2.55"		X
1 1/2" x 3/4"	151-B6F3	1 1/2"	3/4"	3.42"	1.42"		X
2" x 3/4"	151-B7F3	2"	3/4"	4.16"	1.60"		
2" x 1"	151-B7F4	2"	1"	4.16"	1.60"		

Submitted by: