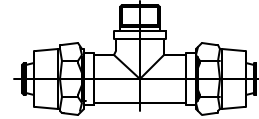


Cambridge Brass
P.O. Box 249
140 Orion Place
Cambridge, Ontario
Canada N1R 5V1
Tel: (519) 621-5520
Fax: (519) 621-8674
http://www.cambridgebrass.com

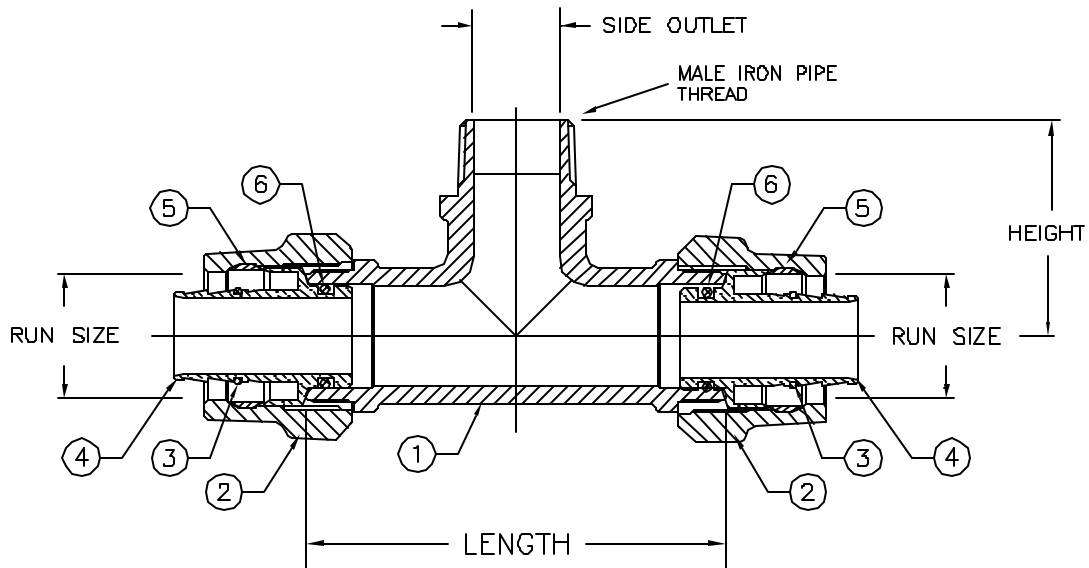


MODEL NO. 151

P.E.P. x P.E.P. x MALE IRON PIPE

SERVICE TEE

FOR POLYETHYLENE PLASTIC PIPE SDR-7, IPS SIZE BY THREADED PIPE OUTLET



PARTS AND MATERIAL:

1. TEE BODY: CAST BRASS, ALLOY C83600
2. P.E.P. NUT: CAST BRASS, ALLOY C83600
3. O-RING: NITRILE RUBBER
4. INSERT: COPPER, ALLOY C23000
5. GRIPPER: BRASS, ALLOY C26000
6. O-RING: NITRILE RUBBER

FEATURES:

- MANUFACTURED IN COMPLIANCE WITH AWWA STANDARD C800-05 (ASTM B-62 AND ASTM B-584, UNS NO C83600-85-5-5-5).
- CSA CLASSIFIED TO ANSI/NSF STANDARD 61-8.

Cambridge Brass considers the information in this submittal form to be correct at the time of publication. Item and option availability, including specifications, are subject to change without notice.

TEE SIZE	CATALOG NO.	RUN SIZE P.E.P.	SIDE OUTLET N.P.T.	LENGTH	HEIGHT	APPROX. WT. LBS.
3/4" x 3/4"	151-Z3M3	3/4"	3/4"	3.66"	1.87"	
1" x 1"	151-Z4M4	1"	1"	5.10"	2.31"	

Submitted by: