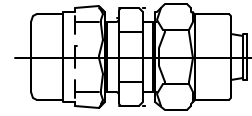


Cambridge Brass
P.O. Box 249
140 Orion Place
Cambridge, Ontario
Canada N1R 5V1
Tel: (519) 621-5520
Fax: (519) 621-8674
http://www.cambridgebrass.com

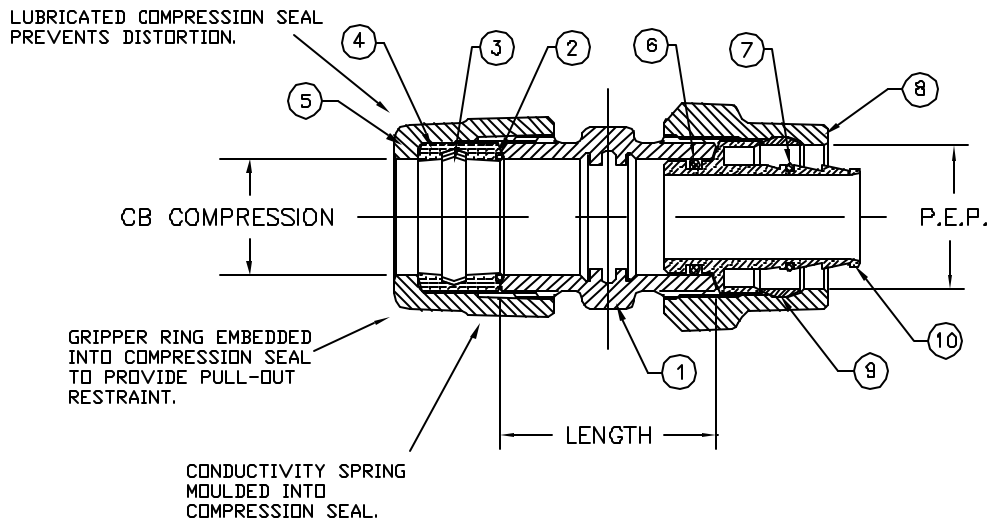


MODEL NO. 118

CB COMPRESSION x P.E.P.

COUPLING

FOR COPPER OR PLASTIC TUBING (CTS) x
POLYETHYLENE PLASTIC PIPE SIDR-7, IPS SIZE, TUBE



PARTS AND MATERIAL:

1. COUPLING BODY: CAST BRASS, ALLOY C83600
2. CONDUCTOR SPRING: BRASS
3. GRIPPER: STAINLESS STEEL, TYPE 302
4. COMPRESSION SEAL: NITRILE RUBBER
5. COMPRESSION NUT: CAST BRASS, ALLOY C83600
6. O-RING: NITRILE RUBBER
7. O-RING: NITRILE RUBBER
8. P.E.P. NUT: CAST BRASS, ALLOY C83600
9. GRIPPER: BRASS, ALLOY C26000
10. INSERT: COPPER, ALLOY C23000

FEATURES:
- MANUFACTURED IN COMPLIANCE WITH AWWA STANDARD C800-05 (ASTM B-62 AND ASTM B-584, UNS NO C83600-B5-5-5-5).
- CSA CLASSIFIED TO ANSI/NSF STANDARD 61-8.
- BODY DESIGN PROVIDES LARGE, RUGGED WRENCH FLATES FOR PROPER INSTALLATION.
- INTERNAL TUBE STOPS.

Cambridge Brass considers the information in this submittal form to be correct at the time of publication. Item and option availability, including specifications, are subject to change without notice.

CATALOG NO.	CB COMPRESSION	P.E.P.	LENGTH	APPROX. WT. LBS.
118-H3Z3	3/4"	3/4"	1.70"	
118-H3Z4	3/4"	1"	2.10"	1.5
118-H4Z3	1"	3/4"	2.10"	1.5
118-H4Z4	1"	1"	2.00"	

Submitted by: