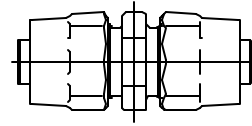


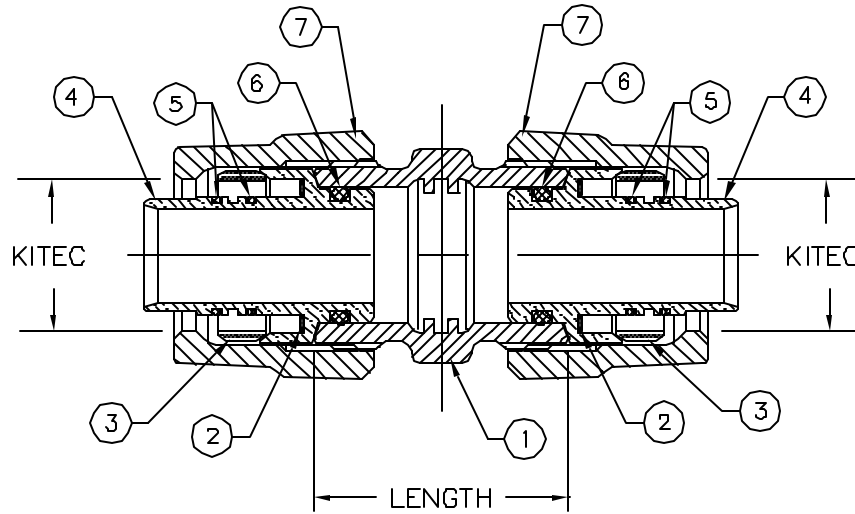
Cambridge Brass
 P.O. Box 249
 140 Orion Place
 Cambridge, Ontario
 Canada N1R 5V1
 Tel: (519) 621-5520
 Fax: (519) 621-8674
 http://www.cambridgebrass.com



MODEL NO. 118

KITEC x KITEC

COUPLING



PARTS AND MATERIAL:

1. COUPLING BODY: CAST BRASS, ALLOY C83600
2. INSULATOR: POLYETHYLENE
3. GRIPPER: BRASS, ALLOY C26000
4. INSERT: COPPER, ALLOY C23000
5. O-RING: NITRILE RUBBER
6. O-RING: NITRILE RUBBER
7. KITEC NUT: CAST BRASS, ALLOY C83600

FEATURES:

- MANUFACTURED IN COMPLIANCE WITH AWWA STANDARD C800-05 (ASTM B-62 AND ASTM B-584, UNS NO C83600-85-5-5-5).
- CSA CLASSIFIED TO ANSI/NSF STANDARD 61-8.
- BODY DESIGN PROVIDES LARGE, RUGGED WRENCH FLATES FOR PROPER INSTALLATION.
- INTERNAL TUBE STOPS.

Cambridge Brass considers the information in this submittal form to be correct at the time of publication. Item and option availability, including specifications, are subject to change without notice.

CATALOG NO.	KITEC SIZE	KITEC SIZE	LENGTH	APPROX. WT. LBS.
118-K3K3	3/4"	3/4"	1.70"	
118-K4K3	1"	3/4"	2.10"	
118-K4K4	1"	1"	2.00"	

Submitted by: