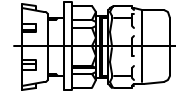


Cambridge Brass
P.O. Box 249
140 Orion Place
Cambridge, Ontario
Canada N1R 5V1
Tel: (519) 621-5520
Fax: (519) 621-8674
http://www.cambridgebrass.com

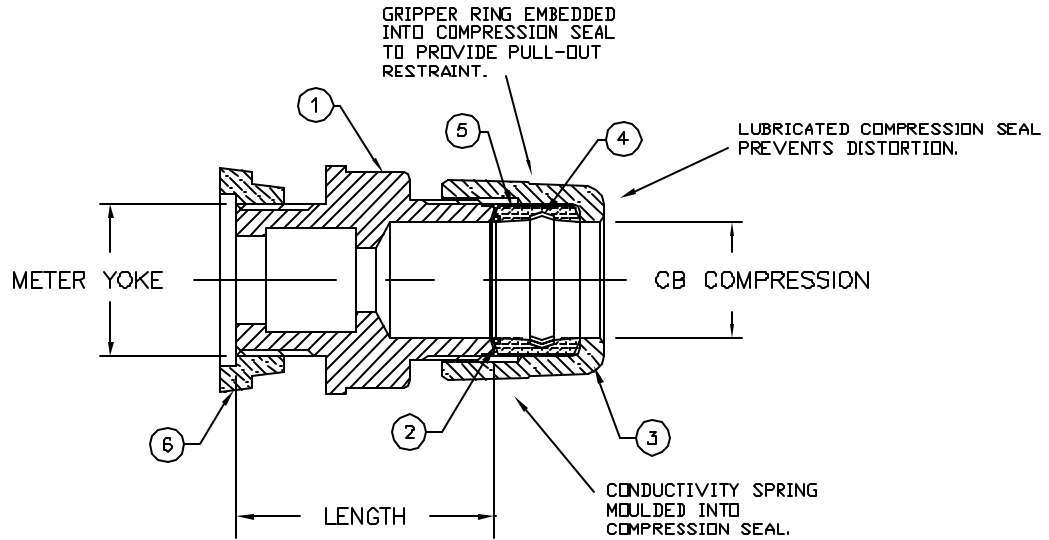


MODEL NO. 117

METER YOKE NOSE x
CB COMPRESSION

ADAPTOR

FOR METER YOKE NOSE BY CB COMPRESSION FOR COPPER OR PLASTIC TUBING (CTS)



PARTS AND MATERIAL:

1. BODY: CAST BRASS, ALLOY C83600
2. CONDUCTOR SPRING: BRASS
3. COMPRESSION NUT: CAST BRASS, ALLOY C83600
4. COMPRESSION SEAL: NITRILE RUBBER
5. GRIPPER: STAINLESS STEEL, ALLOY 302
6. STAR NUT: CAST BRASS, ALLOY C83600

FEATURES:

- MANUFACTURED IN COMPLIANCE WITH AWWA STANDARD C800-05 (ASTM B-62 AND ASTM B-584, UNS NO C83600-85-5-5-5).
- CSA CLASSIFIED TO ANSI/NSF STANDARD 61-8.
- BODY PROVIDES LARGE, RUGGED WRENCH FLATES FOR PROPER INSTALLATION.
- MAY BE USED ON EITHER END OF THE YOKE.

Cambridge Brass considers the information in this submittal form to be correct at the time of publication. Item and option availability, including specifications, are subject to change without notice.

CATALOG NO.	METER SIZE	CB COMPRESSION	LENGTH	APPROX. WT. LBS.
117-SR1H3	5/8"	3/4"	2.00"	0.9
117-SR3H3	5/8"x3/4" & 3/4"	3/4"	2.00"	0.9
117-SR3H4	5/8"x3/4" & 3/4"	1"	2.25"	1.4
117-SR4H4	1"	1"	2.46"	1.7

Submitted by: