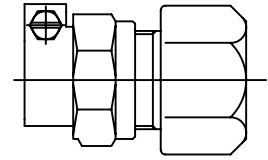


Cambridge Brass
P.O. Box 249
140 Orion Place
Cambridge, Ontario
Canada N1R 5V1
Tel: (519) 621-5520
Fax: (519) 621-8674
http://www.cambridgebrass.com

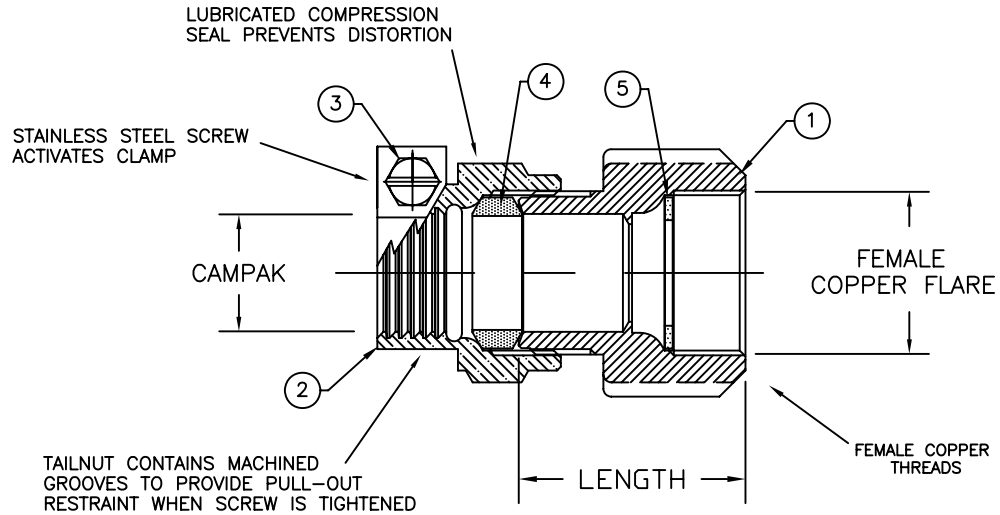


MODEL NO. 117

PJ CAMPAK X
FEMALE COPPER FLARE

ADAPTOR

FOR POLYETHYLENE PIPE, IPS-OD CONTROLLED, PER ASTM D3035 (PEP-SDR)
FOR PVC PIPE, IPS-OD CONTROLLED, PER ASTM D1785, ASTM D2241



PARTS AND MATERIAL:

1. BODY: CAST BRASS, ALLOY C83600
2. COMPRESSION NUT: CAST BRASS, ALLOY C83600
3. SCREW: STAINLESS STEEL, ALLOY 304
4. COMPRESSION SEAL: NITRILE RUBBER
5. SEALING WASHER: COPPER

FEATURES:

- ALL COMPONENTS CONFORM TO AWWA C800-05 (ASTM B-62 AND B-584, UNS NO C83600-85-5-5-5).
- CSA CLASSIFIED TO ANSI/NSF STANDARD 61-8.
- BODY PROVIDES LARGE, RUGGED WRENCH FLATES FOR PROPER INSTALLATION.

Cambridge Brass considers the information in this submittal form to be correct at the time of publication. Item and option availability, including specifications, are subject to change without notice.

CATALOG NO.	CAMPAK	FEMALE COPPER FLARE	LENGTH	APPROX. WT. LBS.
117-PJ3P3	3/4"	3/4"	2.29"	1.0
117-PJ4P4	1"	1"	2.07"	1.0

Submitted by: