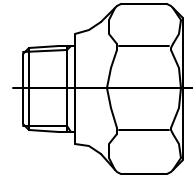


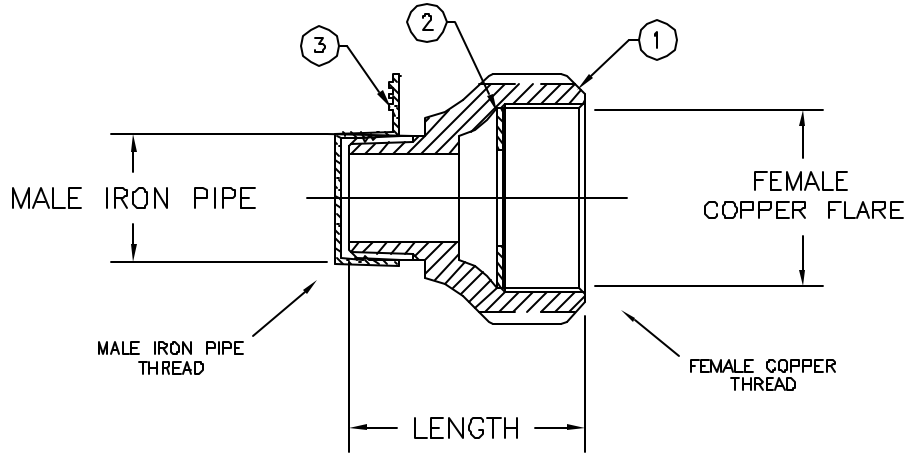
Cambridge Brass
P.O. Box 249
140 Orion Place
Cambridge, Ontario
Canada N1R 5V1
Tel: (519) 621-5520
Fax: (519) 621-8674
http://www.cambridgebrass.com



MODEL NO. 117

MALE IRON PIPE x FEMALE COPPER FLARE

COUPLING



PARTS AND MATERIAL:

1. COUPLING BODY: CAST BRASS, ALLOY C83600
2. SEALING WASHER: COPPER
3. PROTECTOR: POLYETHYLENE

FEATURES:

- MANUFACTURED IN COMPLIANCE WITH AWWA STANDARD C800.
- BODY PROVIDES LARGE, RUGGED WRENCH FLATES FOR PROPER INSTALLATION.

Cambridge Brass considers the information in this submittal form to be correct at the time of publication. Item and option availability, including specifications, are subject to change without notice.

CATALOG NO.	MALE IRON PIPE	FEMALE COPPER FLARE	LENGTH	APPROX. WT. LBS.
117-M3P3	3/4"	3/4"	1.74"	0.5
117-M3P4	3/4"	1"	2.00"	0.5
117-M4P4	1"	1"	2.07"	0.7

Submitted by: