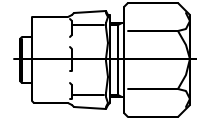


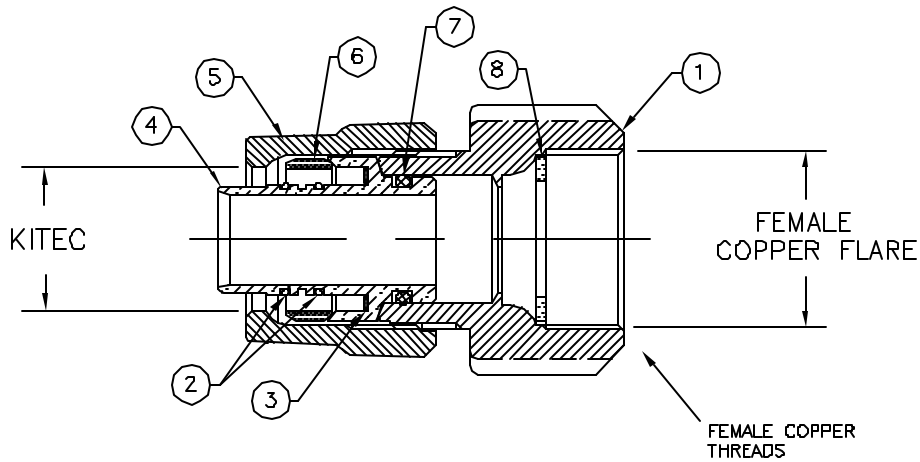
Cambridge Brass  
P.O. Box 249  
140 Orion Place  
Cambridge, Ontario  
Canada N1R 5V1  
Tel: (519) 621-5520  
Fax: (519) 621-8674  
http://www.cambridgebrass.com



MODEL NO. 117

KITEC x FEMALE COPPER FLARE

COUPLING



PARTS AND MATERIAL:

1. COUPLING BODY: CAST BRASS, ALLOY C83600
2. O-RING: NITRILE RUBBER
3. INSULATOR: POLYETHYLENE
4. INSERT: COPPER, ALLOY C23000
5. KITEC NUT: CAST BRASS, ALLOY C83600
6. GRIPPER: BRASS, ALLOY C26000
7. O-RING: NITRILE RUBBER
8. SEALING WASHER: COPPER

FEATURES:

- MANUFACTURED IN COMPLIANCE WITH AWWA STANDARD C800.
- BODY PROVIDES LARGE, RUGGED WRENCH FLATES FOR PROPER INSTALLATION.

Cambridge Brass considers the information in this submittal form to be correct at the time of publication. Item and option availability, including specifications, are subject to change without notice.

CATALOG NO.	KITEC	FEMALE COPPER FLARE	LENGTH	APPROX. WT. LBS.
117-K3P3	3/4"	3/4"	1.74"	
117-K4P4	1"	1"	2.07"	

Submitted by: