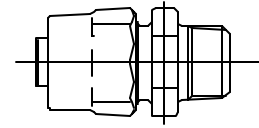


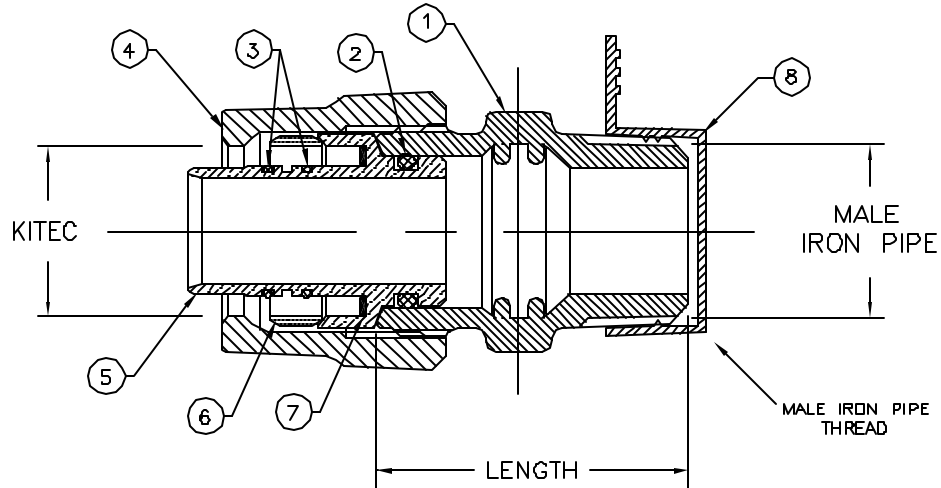
Cambridge Brass
 P.O. Box 249
 140 Orion Place
 Cambridge, Ontario
 Canada N1R 5V1
 Tel: (519) 621-5520
 Fax: (519) 621-8674
<http://www.cambridgebrass.com>



MODEL NO. 117

KITEC x MALE IRON PIPE

COUPLING



PARTS AND MATERIAL:

- 1. COUPLING BODY: CAST BRASS, ALLOY C83600
- 2. O-RING: NITRILE RUBBER
- 3. O-RING: NITRILE RUBBER
- 4. KITEC NUT: CAST BRASS, ALLOY C83600
- 5. INSERT: COPPER, ALLOY C23000
- 6. GRIPPER: BRASS, ALLOY C26000
- 7. INSULATOR: POLYETHYLENE
- 8. PROTECTOR: POLYETHYLENE

FEATURES:

- MANUFACTURED IN COMPLIANCE WITH AWWA STANDARD C800.
- BODY PROVIDES LARGE, RUGGED WRENCH FLATS FOR PROPER INSTALLATION.

Cambridge Brass considers the information in this submittal form to be correct at the time of publication. Item and option availability, including specifications, are subject to change without notice.

COUPLING SIZE	CATALOG NO.	KITEC	MALE IRON PIPE	LENGTH	APPROX. WT. LBS.
3/4"	117-K3M3	3/4"	3/4"	1.86"	
3/4" x 1"	117-K3M4	3/4"	1"	1.99"	
1" x 3/4"	117-K4M3	1"	3/4"	2.02"	
1"	117-K4M4	1"	1"	2.08"	

Submitted by: