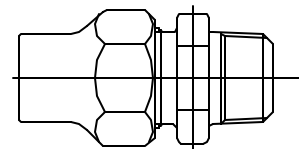


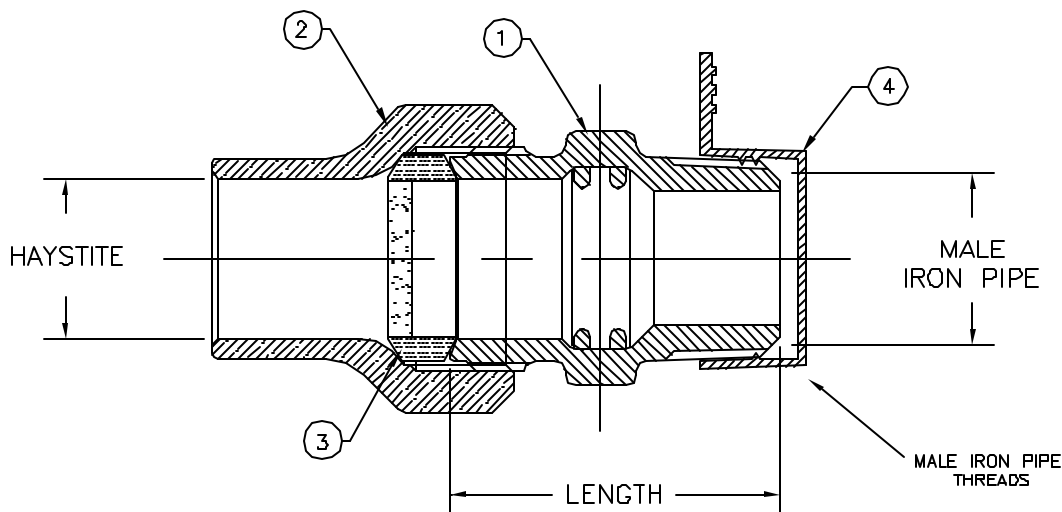
Cambridge Brass
 P.O. Box 249
 140 Orion Place
 Cambridge, Ontario
 Canada N1R 5V1
 Tel: (519) 621-5520
 Fax: (519) 621-8674
 http://www.cambridgebrass.com



MODEL NO. 117

HAYSTITE x MALE IRON PIPE

COUPLING



PARTS AND MATERIAL:

1. COUPLING BODY: CAST BRASS, ALLOY C83600
2. TAILNUT: CAST BRASS, ALLOY C83600
3. COMPRESSION SEAL: NITRILE RUBBER, WITH GRIT
4. PROTECTOR: POLYETHYLENE

FEATURES:

- MANUFACTURED IN COMPLIANCE WITH AWWA STANDARD C800.
- BODY PROVIDES LARGE, RUGGED WRENCH FLATES FOR PROPER INSTALLATION.

Cambridge Brass considers the information in this submittal form to be correct at the time of publication. Item and option availability, including specifications, are subject to change without notice.

COUPLING SIZE	CATALOG NO.	HAYSTITE	MALE IRON PIPE	LENGTH	APPROX. WT. LBS.
3/4" x 1/2"	117-J3M1	3/4"	1/2"	1.76"	
3/4"	117-J3M3	3/4"	3/4"	1.86"	
3/4" x 1"	117-J3M4	3/4"	1"	1.99"	
1" x 3/4"	117-J4M3	1"	3/4"	2.02"	
1"	117-J4M4	1"	1"	2.08"	

Submitted by: