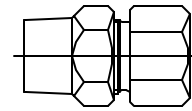


Cambridge Brass
P.O. Box 249
140 Orion Place
Cambridge, Ontario
Canada N1R 5V1
Tel: (519) 621-5520
Fax: (519) 621-8674
http://www.cambridgebrass.com

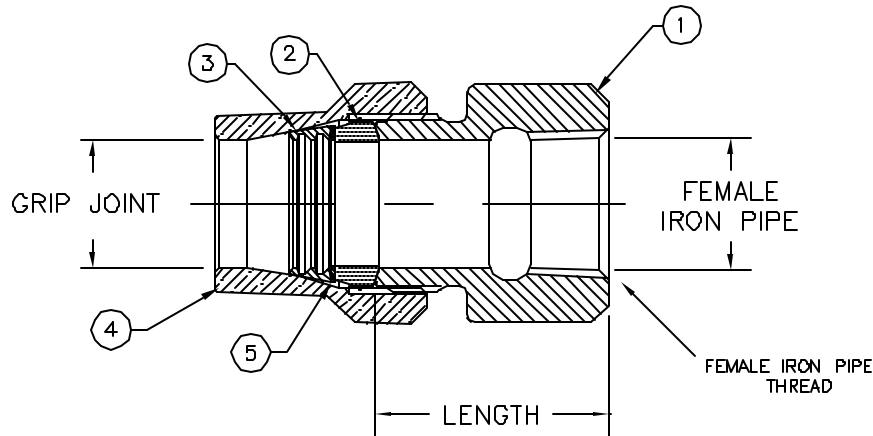


MODEL NO. 117

GRIP JOINT x
FEMALE IRON PIPE

ADAPTOR

FOR COPPER OR PLASTIC TUBING (CTS) x THREADED PIPE



PARTS AND MATERIAL:

- 1. BODY: CAST BRASS, ALLOY C83600
- 2. GASKET: NITRILE RUBBER
- 3. GRIPPER: BRASS, ALLOY C26000
- 4. COMPRESSION NUT: CAST BRASS, ALLOY C83600
- 5. WASHER: POLYETHYLENE

FEATURES:

- MANUFACTURED IN COMPLIANCE WITH AWWA STANDARD C800-05 (ASTM B-62 AND ASTM B-584, UNS NO C83600-85-5-5-5).
- CSA CLASSIFIED TO ANSI/NSF STANDARD 61-8.
- BODY PROVIDES LARGE RUGGED WRENCH FLATES FOR PROPER INSTALLATION.

Cambridge Brass considers the information in this submittal form to be correct at the time of publication. Item and option availability, including specifications, are subject to change without notice.

COUPLING SIZE	CATALOG NO.	GRIP JOINT	FEMALE IRON PIPE	LENGTH	APPROX. WT. LBS.
3/4" x 1/2"	117-GJ3F1	3/4"	1/2"	1.59"	
3/4"	117-GJ3F3	3/4"	3/4"	1.65"	0.7
3/4" x 1"	117-GJ3F4	3/4"	1"	1.74"	
1" x 3/4"	117-GJ4F3	1"	3/4"	1.84"	
1"	117-GJ4F4	1"	1"	1.84"	1.3

Submitted by: