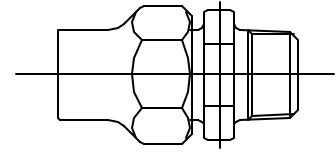


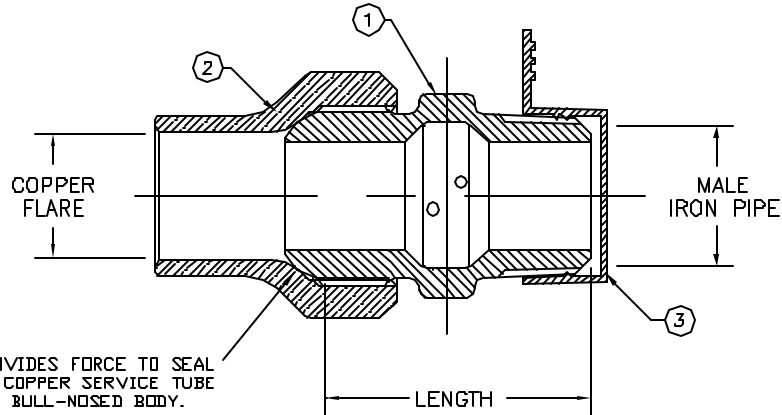
Cambridge Brass
P.O. Box 249
140 Orion Place
Cambridge, Ontario
Canada N1R 5V1
Tel: (519) 621-5520
Fax: (519) 621-8674
http://www.cambridgebrass.com



MODEL NO. 117

COPPER FLARE x
MALE IRON PIPE

COUPLING



- PARTS AND MATERIAL:
1. COUPLING BODY - CAST BRASS, COPPER ALLOY C83600
 2. NUT - CAST BRASS, COPPER ALLOY C84400
 3. PROTECTOR - POLYETHYLENE

- FEATURES:
- MANUFACTURED IN COMPLIANCE WITH AWWA STANDARD C800.
 - BODY PROVIDES LARGE, RUGGED WRENCH FLATES FOR PROPER INSTALLATION.

Cambridge Brass considers the information in this submittal form to be correct at the time of publication. Item and option availability, including specifications, are subject to change without notice.

COUPLING SIZE	CATALOG NO.	COPPER FLARE	MALE IRON PIPE	LENGTH	APPROX. WT. LBS.
1/2"	117-C1M1	1/2"	1/2"	2.14"	
1/2" x 3/4"	117-C1M3	1/2"	3/4"	2.10"	
5/8" x 1/2"	117-C2M1	5/8"	1/2"	2.16"	
5/8" x 3/4"	117-C2M3	5/8"	3/4"	2.13"	
3/4" x 1/2"	117-C3M1	3/4"	1/2"	2.08"	
3/4"	117-C3M3	3/4"	3/4"	2.19"	
3/4" x 1"	117-C3M4	3/4"	1"	2.20"	
1" x 3/4"	117-C4M3	1"	3/4"	2.31"	
1"	117-C4M4	1"	1"	2.44"	
1 1/4"	117-C5M5	1 1/4"	1 1/4"	2.98"	
1 1/2"	117-C6M6	1 1/2"	1 1/2"	3.09"	
2"	117-C7M7	2"	2"	3.65"	

Submitted by: