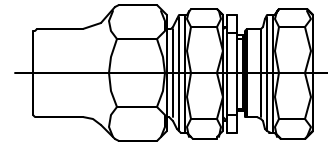


Cambridge Brass  
P.O. Box 249  
140 Orion Place  
Cambridge, Ontario  
Canada N1R 5V1  
Tel: (519) 621-5520  
Fax: (519) 621-8674  
http://www.cambridgebrass.com

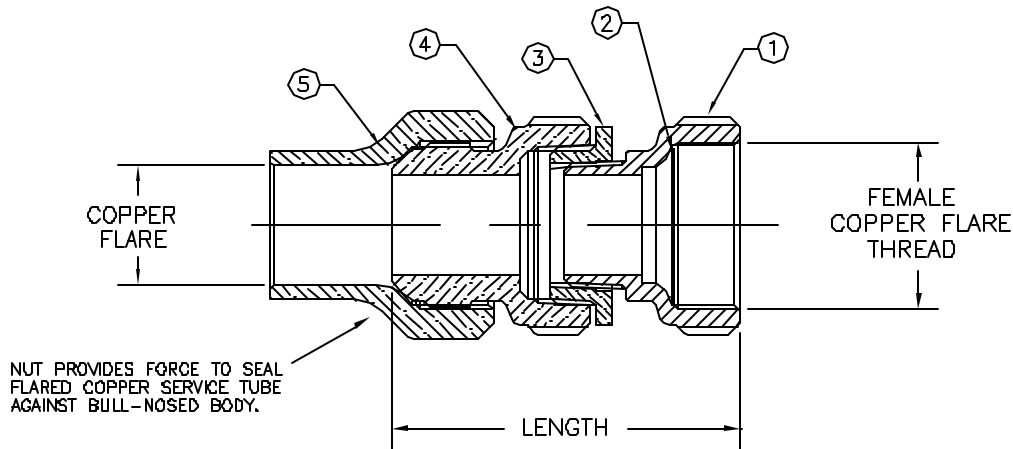


MODEL NO. 111NL

COPPER FLARE x  
FEMALE COPPER FLARE

SERVICE INSULATOR

FOR PROTECTION AGAINST SERVICE LINE ELECTROLYSIS



PARTS AND MATERIAL:

- 1. FEMALE CF BODY: CAST BRASS, ALLOY C89833
- 2. SEALING WASHER: COPPER
- 3. SERVICE INSULATOR: NYLON
- 4. BODY: CAST BRASS, ALLOY CB9833
- 5. COPPER FLARE NUT: CAST BRASS, ALLOY C83600

FEATURES:

- MANUFACTURED IN COMPLIANCE WITH AWWA STANDARD C800-05. (ASTM B-584, UNS C89833).
- CSA CLASSIFIED TO ANSI/NSF STANDARD 61-8.

Cambridge Brass considers the information in this submittal form to be correct at the time of publication. Item and option availability, including specifications, are subject to change without notice.

CATALOG NO.	COPPER FLARE	FEMALE COPPER FLARE	LENGTH	APPROX. WT. LBS.
111NL-C3P3	3/4"	3/4"	3.1"	1.6
111NL-C4P4	1"	1"	4.0"	2.3
111NL-C6P6	1 1/2"	1 1/2"	5.2"	5.8
111NL-C7P7	2"	2"	6.1"	9.1

Submitted by: