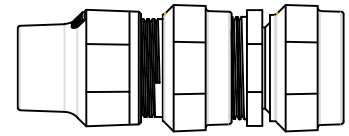


Cambridge Brass
P.O. Box 249
140 Orion Place
Cambridge, Ontario
Canada N1R 5V1
Tel: (519) 621-5520
Fax: (519) 621-8674
http://www.cambridgebrass.com

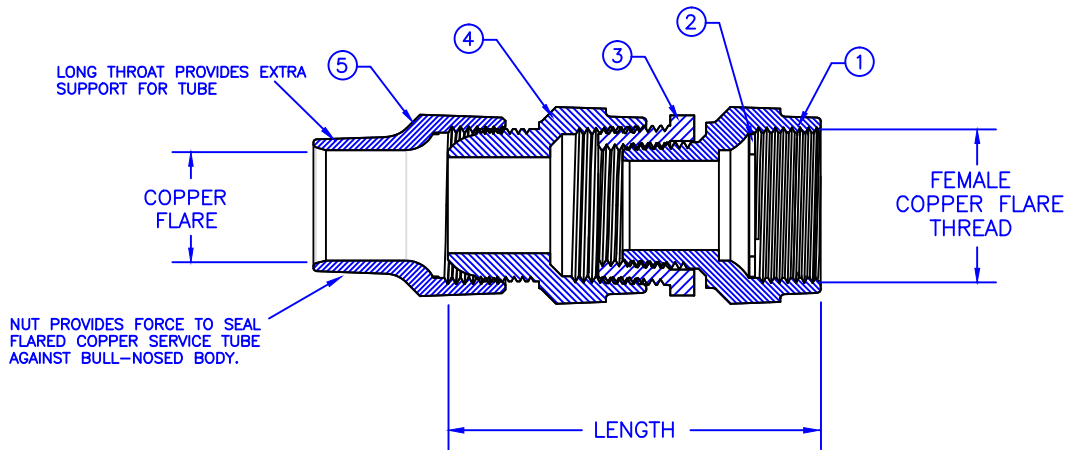


MODEL NO. 111

COPPER FLARE x
FEMALE COPPER FLARE

SERVICE INSULATOR

FOR PROTECTION AGAINST SERVICE LINE ELECTROLYSIS



PARTS AND MATERIAL:

- 1. FEMALE CF BODY: CAST BRASS, ALLOY C89833
- 2. SEALING WASHER: COPPER
- 3. SERVICE INSULATOR: NYLON
- 4. BODY: CAST BRASS, ALLOY C89833
- 5. COPPER FLARE NUT: CAST BRASS, ALLOY C89833

FEATURES:

- ALL COMPONENTS CONFORM TO AWWA C800-05 (ASTM B-584 UNS NO C89833 FOR BRASS PARTS IN CONTACT WITH POTABLE WATER, AND ASTM B-62 AND B-584 UNS NO C83600 FOR ALL OTHER BRASS PARTS).
- CSA CLASSIFIED TO ANSI/NSF STANDARD 61-8.
- CONFORMS TO ANSI/NSF 372 (COMPLIANT WITH US Safe Drinking Water Act. PL 111-380)
- 300 PSI WORKING PRESSURE
- BODY PROVIDES WRENCH FLATES FOR PROPER INSTALLATION.

Cambridge Brass considers the information in this submittal form to be correct at the time of publication. Item and option availability, including specifications, are subject to change without notice.

| CATALOG NO. | COPPER FLARE | FEMALE COPPER FLARE | LENGTH | APPROX. WT. LBS. |
|-------------|--------------|---------------------|--------|------------------|
| 111NL-C3P3 | 3/4" | 3/4" | 3.1" | 1.6 |
| 111NL-C4P4 | 1" | 1" | 4.0" | 1.8 |
| 111NL-C6P6 | 1 1/2" | 1 1/2" | 5.2" | 5.9 |
| 111NL-C7P7 | 2" | 2" | 6.1" | 10.1 |

Submitted by: