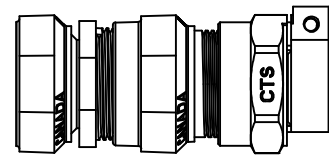


Cambridge Brass
P.O. Box 249
140 Orion Place
Cambridge, Ontario
Canada N1R 5V1
Tel: (519) 621-5520
Fax: (519) 621-8674
http://www.cambridgebrass.com

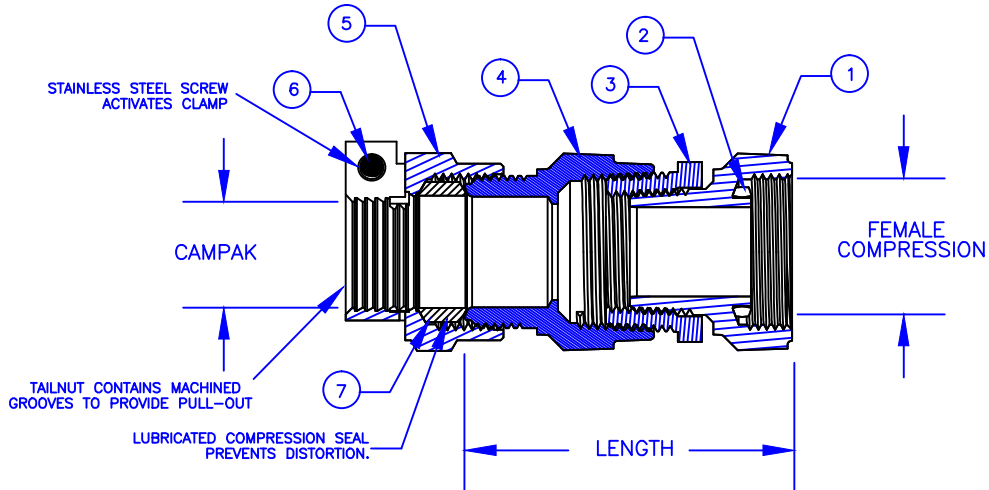


MODEL NO. 111NL

CAMPAK x
FEMALE COMPRESSION

SERVICE INSULATOR

FOR PROTECTION AGAINST SERVICE LINE ELECTROLYSIS



PARTS AND MATERIAL:

- 1. FEMALE COMPRESSION BODY: NO LEAD CAST BRASS, ALLOY C89833
- 2. SEAL: NITRILE RUBBER
- 3. INSULATOR: NYLON
- 4. INSULATOR BODY: NO LEAD CAST BRASS, ALLOY C89833
- 5. CAMPAK NUT: CAST BRASS, ALLOY C83600
- 6. SCREW: STAINLESS STEEL, ALLOY 304
- 7. COMPRESSION SEAL: NITRILE RUBBER

FEATURES:

- ALL COMPONENTS CONFORM TO AWWA C800-05 (ASTM B-584 UNS NO C89833 FOR BRASS PARTS IN CONTACT WITH POTABLE WATER, AND ASTM B-62 AND B-584 UNS NO C83600 FOR ALL OTHER BRASS PARTS).
- CSA CLASSIFIED TO ANSI/NSF STANDARD 61-8.
- CONFORMS TO ANSI/NSF 372 (COMPLIANT WITH US Safe Drinking Water Act. PL 111-380)
- 300 PSI WORKING PRESSURE
- BODY PROVIDES WRENCH FLATES FOR PROPER INSTALLATION.

* WILL FIT CB COMPRESSION OR MUELLER 110 COMPRESSION THREADS ONLY

Cambridge Brass considers the information in this submittal form to be correct at the time of publication. Item and option availability, including specifications, are subject to change without notice.

SIZE	CATALOG NO.	CAMPAK SIZE	FEM. COMP. SIZE	LENGTH	APPROX. WT. LBS.
3/4"	111NL-B303	3/4"	3/4"	2.8"	1.3
1"	111NL-B404	1"	1"	3.9"	
1 1/2"	111NL-B606	1 1/2"	1 1/2" *	4.9"	5.7
2"	111NL-B707	2"	2" *	5.9"	

Submitted by: