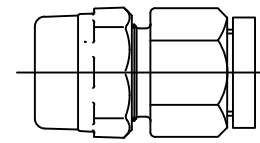


Cambridge Brass
P.O. Box 249
140 Orion Place
Cambridge, Ontario
Canada N1R 5V1
Tel: (519) 621-5520
Fax: (519) 621-8674
http://www.cambridgebrass.com

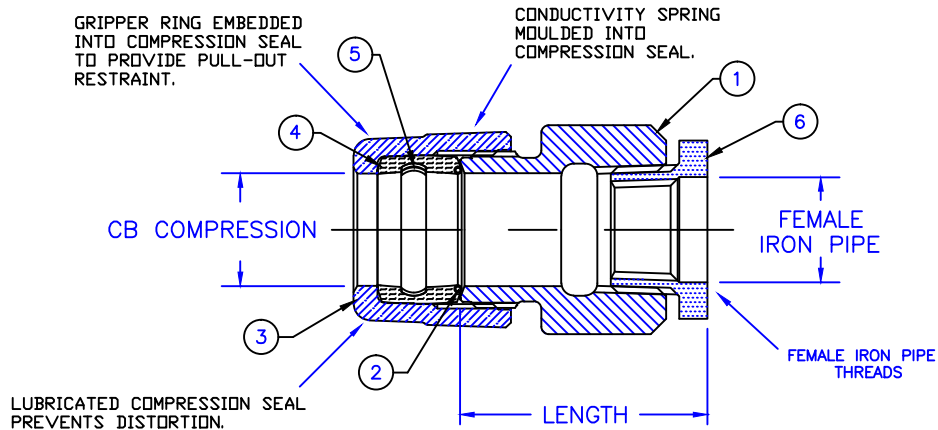


MODEL NO. 110NL

CB COMPRESSION x
FEMALE IRON PIPE

INSULATOR ADAPTOR

FOR COPPER OR PLASTIC TUBING (CTS) x FEMALE IRON PIPE THREAD



PARTS AND MATERIAL:

1. BODY: CAST BRASS, ALLOY C89833
2. CONDUCTOR SPRING: BRASS
3. COMPRESSION NUT: CAST BRASS, ALLOY C83600
4. COMPRESSION SEAL: EPDM
5. GRIPPER: STAINLESS STEEL, ALLOY 302
6. INSULATOR: NYLON

FEATURES:

- ALL COMPONENTS CONFORM TO AWWA C800 (ASTM B-584 UNS NO C89833 FOR BRASS PARTS IN CONTACT WITH POTABLE WATER, AND ASTM B-62 AND B-584 UNS NO C83600 FOR ALL OTHER BRASS PARTS).
- CSA CLASSIFIED TO ANSI/NSF STANDARD 61-8.
- CONFORMS TO ANSI/NSF 372 (COMPLIANT WITH US Safe Drinking Water Act. PL 111-380)
- BODY PROVIDES LARGE, RUGGED WRENCH FLATS FOR PROPER INSTALLATION.

Cambridge Brass considers the information in this submittal form to be correct at the time of publication. Item and option availability, including specifications, are subject to change without notice.

ADAPTOR SIZE	CATALOG NO.	CB COMPRESSION	FEMALE IRON PIPE	LENGTH	APPROX. WT. LBS.
3/4"	110NL-H3F3	3/4"	3/4"	2.09"	
1"	110NL-H4F4	1"	1"	2.70"	
1 1/2"	110NL-H6F6	1 1/2"	1 1/2"	3.13"	
2"	110NL-H7F7	2"	2"	3.53"	

Submitted by: