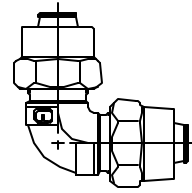


Cambridge Brass
P.O. Box 249
140 Orion Place
Cambridge, Ontario
Canada N1R 5V1
Tel: (519) 621-5520
Fax: (519) 621-8674
http://www.cambridgebrass.com

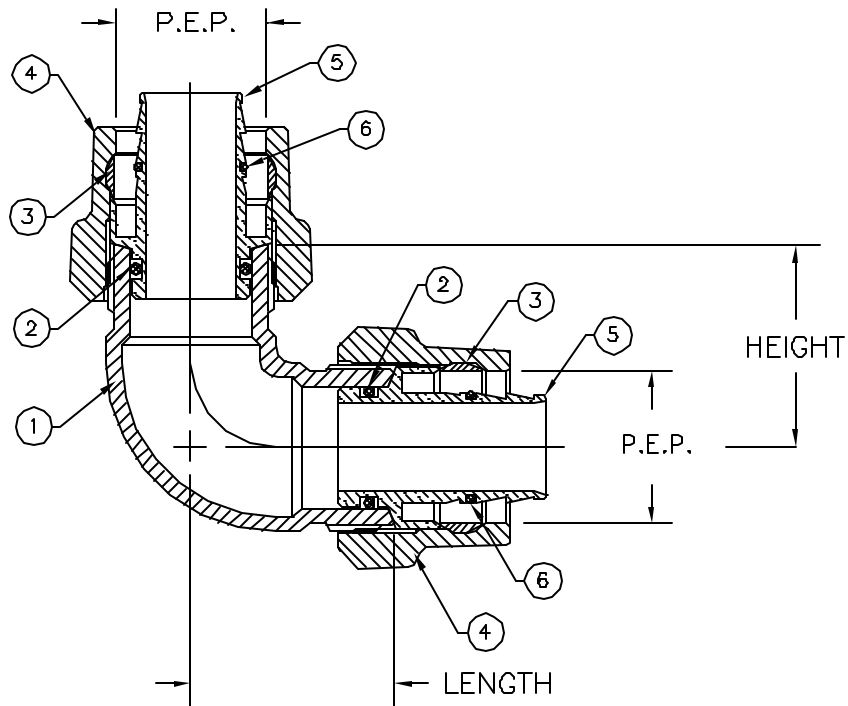


MODEL NO. 105

P.E.P. x P.E.P.

ELL COUPLING

FOR POLYETHYLENE PLASTIC PIPE SDR-7, IPS SIZE



PARTS AND MATERIAL:

- 1. ELBOW BODY: CAST BRASS, ALLOY C83600
- 2. O-RING: NITRILE RUBBER
- 3. GRIPPER: BRASS, ALLOY C26000
- 4. P.E.P. NUT: CAST BRASS, ALLOY C83600
- 5. INSERT: COPPER, ALLOY C23000
- 6. O-RING: NITRILE RUBBER

FEATURES:

- MANUFACTURED IN COMPLIANCE WITH AWWA STANDARD C800-05 (ASTM B-62 AND ASTM B-584, UNS NO C83600-85-5-5-5).
- <X> CSA CLASSIFIED TO ANSI/NSF 61-8.

Cambridge Brass considers the information in this submittal form to be correct at the time of publication. Item and option availability, including specifications, are subject to change without notice.

ELL COUPLING SIZE	CATALOG NO.	P.E.P. BOTH ENDS	LENGTH	HEIGHT	APPROX. WT. LBS.	CLASSIFIED NSF 61-8
3/4"	105-Z3Z3	3/4"	1.50"	1.50"		<X>
1"	105-Z4Z4	1"	1.79"	1.79"		<X>
1 1/2"	105-Z6Z6	1 1/2"	2.60"	2.60"		<X>
2"	105-Z7Z7	2"	3.14"	3.14"		

Submitted by: