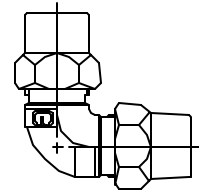


Cambridge Brass
P.O. Box 249
140 Orion Place
Cambridge, Ontario
Canada N1R 5V1
Tel: (519) 621-5520
Fax: (519) 621-8674
http://www.cambridgebrass.com

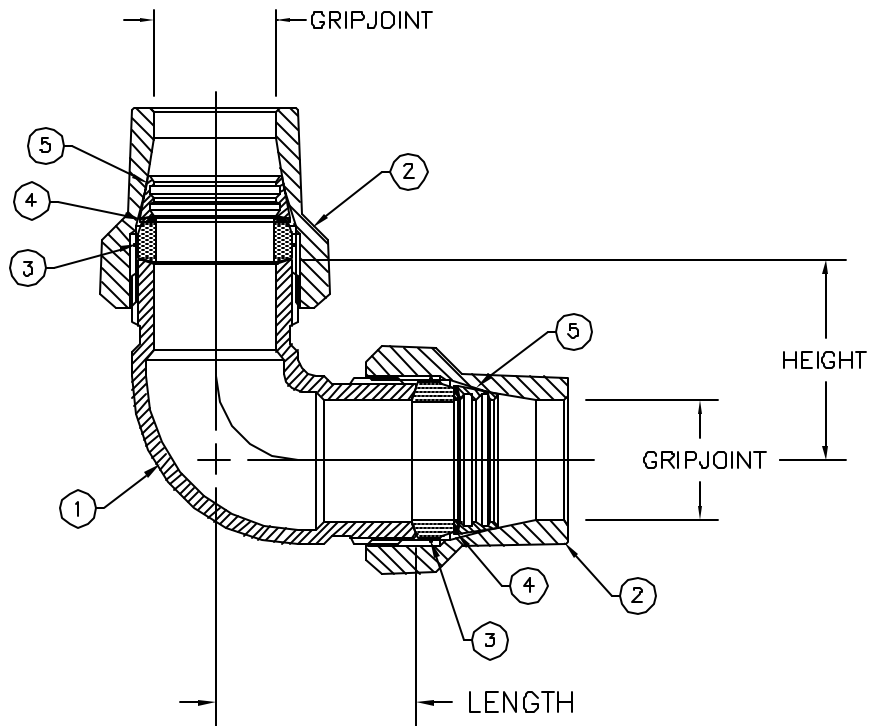


MODEL NO. 105

GRIPJOINT x GRIPJOINT

ELL COUPLING

GRIPJOINT COMPRESSION FOR COPPER OR PLASTIC TUBING (CTS)



PARTS AND MATERIAL:

1. ELBOW BODY: CAST BRASS, ALLOY C83600
2. GRIPJOINT NUT: CAST BRASS, ALLOY C83600
3. GASKET: NITRILE RUBBER
4. WASHER: POLYETHYLENE
5. GRIPPER: BRASS, ALLOY C26000

FEATURES:

- MANUFACTURED IN COMPLIANCE WITH AWWA STANDARD C800-05 (ASTM B-62 AND ASTM B-584, UNS NO C83600- B5-5-5-5).
- CSA CLASSIFIED TO ANSI/NSF STANDARD 61-8.

Cambridge Brass considers the information in this submittal form to be correct at the time of publication. Item and option availability, including specifications, are subject to change without notice.

ELL COUPLING SIZE	CATALOG NO.	GRIPJOINT BOTH ENDS	LENGTH	HEIGHT	APPROX. WT. LBS.
3/4"	105-GJ3GJ3	3/4"	1.50"	1.50"	
1"	105-GJ4GJ4	1"	1.79"	1.79"	

Submitted by: