

 **2018**
U.S.A. Catalog



 **CAMBRIDGE**
BRASS[™] INC

140 Orion Place, Cambridge, Ontario, N1R 5V1, Canada
519-621-5520 | 800-724-3906 | cbsales@cbrass.com
cambridgebrass.com



Terms & Conditions

- Prices** All prices are subject to applicable taxes.
All shipments will be invoiced at prices in effect at time of shipments.
Prices shown are "Each" P.O.A. Means price on applications.
- Terms:** 2% - 15th of month following date of invoice. Net 30th.
We reserve the right to charge interest on overdue accounts at the rate of 2% per month.
Minimum net invoice - \$200.00 for assemblies, fittings
- Transportation:** Full freight allowed and prepaid on orders of \$6,000.00 net or more. We reserve the right to ship the most economical way by the lowest approved freight rates. Brass shipments to Hawaii, Mexico or Alaska will be equalized to nearest trucking or rail terminal.
- Conditions:** All orders accepted subject to approved credit. Orders for special articles not subject to cancellation.
- Return Goods:** Permission must be obtained from our Office before material is returned. Credit will be issued at invoice prices, less minimum 30% handling charges, less whatever expense is involved in restoring goods to saleable condition, and outgoing charges, if goods originally shipped prepaid. Returns must be prepaid. A minimum handling charge of \$25.00 will apply.
- Warranty:** See back page of price list.
- Claims:** Claims for shortages will not be allowed unless made within 14 days after receipt of goods.

Table of Contents

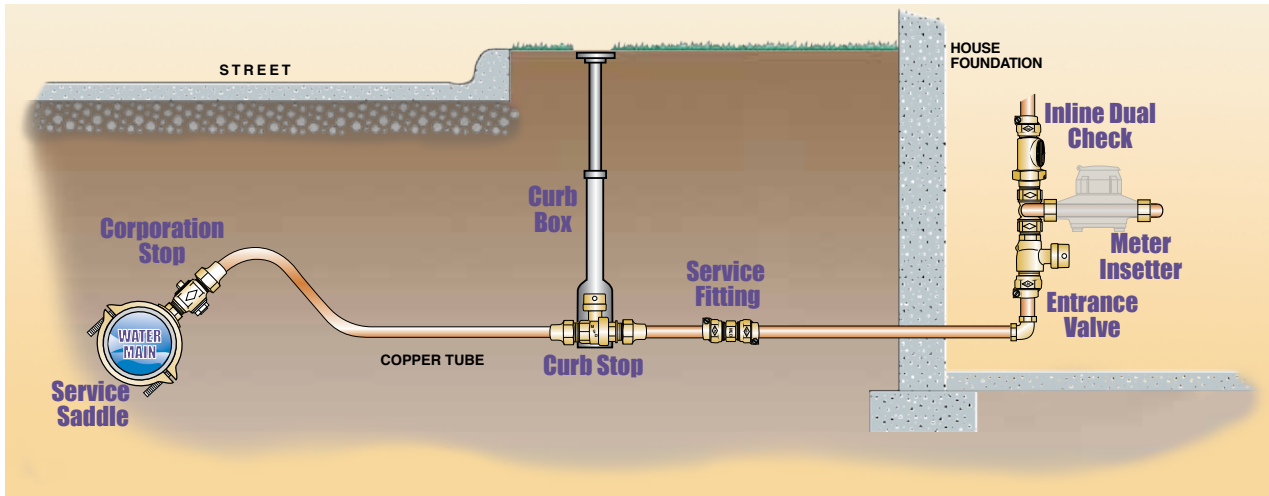
	Page		Page
Engineering		Saddles and Repair Clamps	
General Information.....	6	C900 Brass Hinge	112
Corporation Stops	16	IPS Brass Hinge	113
Saddle and Repair Clamps	20	Double Brass Strap	114
Curb Stops.....	23	SS Wide Strap.....	116
Meter Valves.....	24	Double SS Strap.....	119
Service Line Fittings	26	Single Strap.....	122
Meter Accessories.....	28	Ferrule Strap.....	124
Meter Setters.....	31	Brass Bushings.....	125
Iron Yokes	34	8403 Series TECK™ SS Saddles.....	126
Corporation Stops		425 Series TECK™ Repair Clamps.....	131
Ball Style.....	38	435 Series TECK™ Repair Clamps.....	132
Ball Style (Tee Head)	43	825 Series TECK™ Repair Clamps.....	133
Plug Style	46	835 Series TECK™ Repair Clamps.....	134
Accessories & S/S Inserts	50	1625 Series TECK™ Repair Clamps.....	135
Curb Stops		1635 Series TECK™ Repair Clamps.....	136
Ball Valve - Full Port	54	Meter Setters	
Ball Valve - Globe Valve	58	Meter Part Numbering	140
Ball Valve - Full Port with Drain	59	Resettters	141
Ball Valve - Full Port with a Drain & Check Valve.....	62	Low Rise Resettters	146
Ball Valve - Reduced Port.....	63	Straight Line Copper Setters	147
Ball Style - Open Right/with Drain	64	Vertical Inlet & Outlet.....	149
Ball Style - Minneapolis Pattern/Draining	67	Horizontal Inlet & Outlet.....	151
Ball Style - Double Curb Stop/Draining	70	Vertical Inlet & Horizontal Outlet.....	156
Accessories	71	Pit Setters.....	157
Meter Valves		Line Setter	159
Ball Style - Angle Full Port.....	74	Cellar Setter.....	161
Ball Style - Straight Full Port.....	76	Corner Setter.....	162
Ball Style - Angle Reduced Port	79	Meter Accessories	
Ball Style - Straight Meter Valve - Reduced Port.....	80	Meter Couplings	164
Plug Style - Angle Valve	82	Gasket & Idler Bars	167
Meter Branch Assemblies - Ball Style Reduced Port	83	Flanges.....	168
Meter Branch Assemblies - Plug Valve	84	Check Valves.....	170
Service Line Fittings		Iron Yoke	
Elbows	86	Yoke Bars & Gaskets.....	172
Insulated Adaptors.....	88	Angle Valves	173
Insulated Couplings	89	Straight Valves.....	174
Couplings and Adaptors	90	Angle Yoke Style - Dual Check Valve	175
Cambridge Coupling and Adaptors	96	Straight Coupling with Yoke Connection.....	176
Couplings With Stop	97	Angle Coupling with Yoke Connection.....	177
Couplings Without Stop	99	Expansion Connections.....	178
Service Tees with Compression on the Branch	103		
Service Tees with Ind. Pipe Threads on the Branch.....	104		
WYE Branches	105		
U-Branches.....	106		
Nut Assemblies & Accessories	108		
Accessories	110		



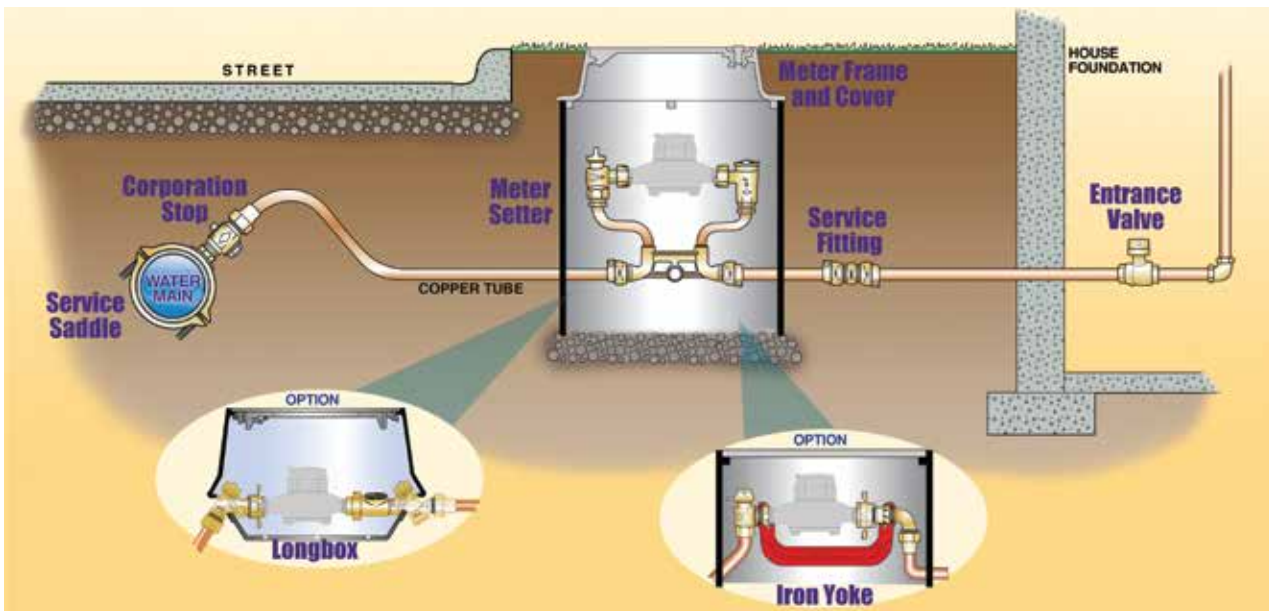
Water Service Lateral

Engineering

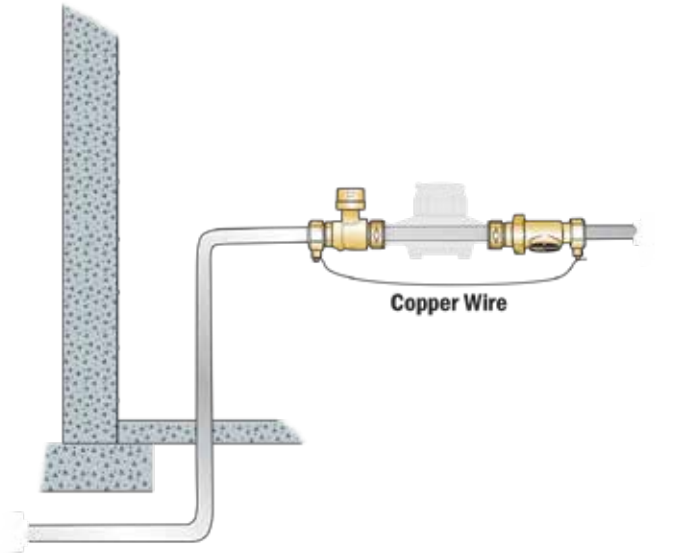
Northern Installation



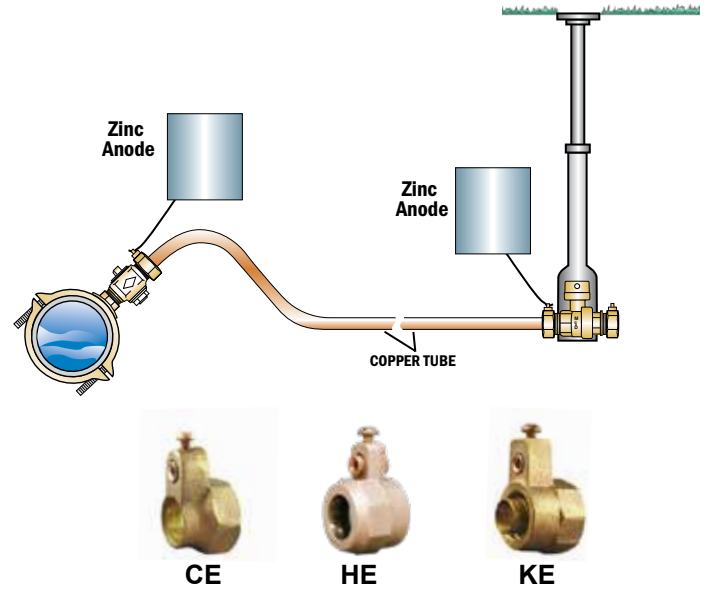
Southern Installation



Electrical Continuity

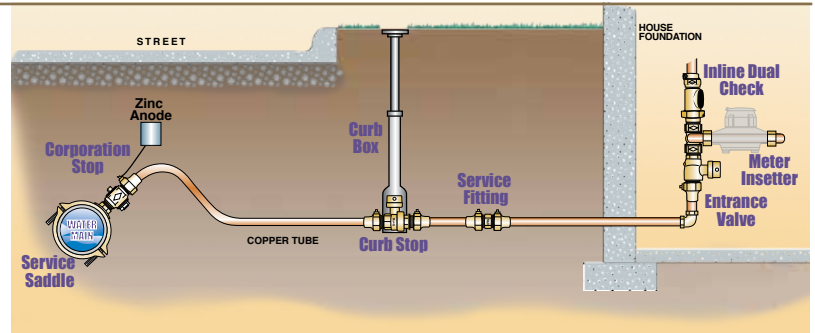


Anode Nut Options



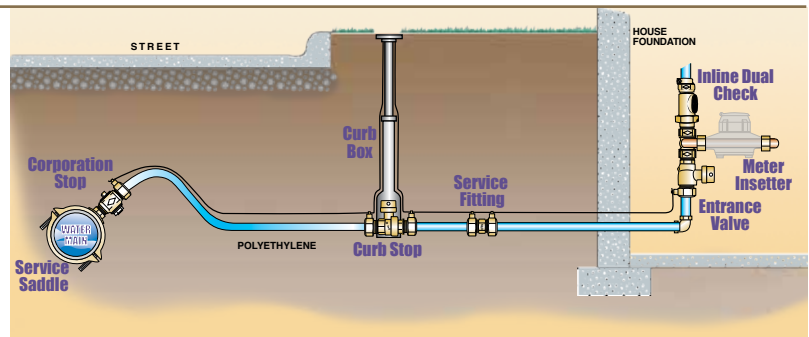
Sacrificial Anode

In cathodic protection, a metal anode that is more reactive to the corrosive environment of the system to be protected is linked to the protected system, and partially corrodes or dissolves, which protects the metal of the system it is connected to. As an example, a Ductile Iron water main may be protected by a zinc sacrificial anode, which will dissolve into the wet earth around the main and prevent the water main from being corroded. Sacrificial anodes are particularly needed for systems where a static charge is generated by the action of flowing liquids, such as pipelines.



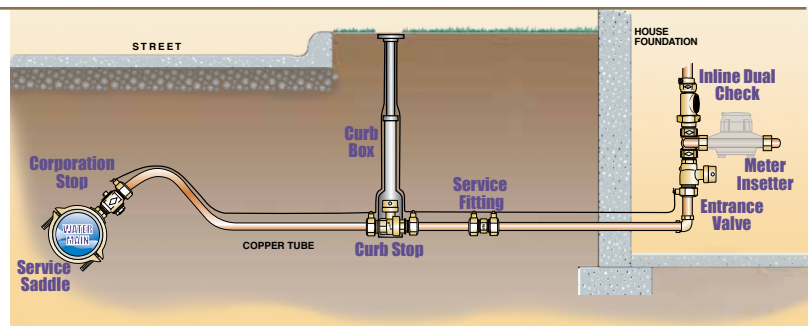
Tracer Wire / Locater Nut

Tracer wire (also known as locating wire) is used frequently by utility companies to locate buried service lines made of plastic. Tracer wire is buried alongside plastic service lines that are installed underground, to assist in locating them for service and repairs. This practice saves contractors and consumers time, money and inconvenience, but only when the tracer wire maintains its integrity so that a line needing service can be promptly located.



Thaw Wire

An installation that incorporates a thaw wire is one that could potentially freeze under extreme cold weather conditions. A copper wire is normally connected to various positions along a copper service line so an electrical device such as an arc welder could apply electric current to unfreeze the water line, if necessary.



Outside Diameter Chart

Types of Pipe/Tubing for use with Cambridge Brass Fittings (Outside Diameters listed)

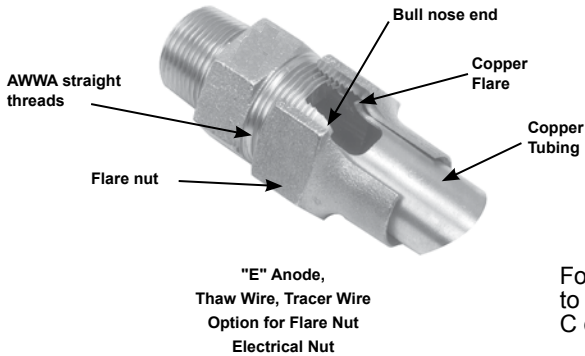
NOMINAL SIZE	CTS	CTS	CTS	CTS	PEP Accepts Barbed Insert
	TYPE K or L COPPER TUBE	POLYETHYLENE ASTM D2737 SDR 9 TUBE SIZE	PEX TUBING ASTM F876 SDR 9 CSA B137.5	POLYBUTYLENE ASTM D2666 SDR 9 TUBE SIZE CLASS 250	POLYBUTYLENE ASTM D2662 SIDR 7 or POLYETHYLENE ASTM D2239 SIDR 7 POLYETHYLENE PIPE SIZE
1/2"	$\frac{.622}{.628}$	$\frac{.621}{.629}$	$\frac{.621}{.629}$	$\frac{.625}{.633}$	$\frac{.79}{.85}$
5/8"					
3/4"	$\frac{.872}{.878}$	$\frac{.871}{.879}$	$\frac{.871}{.879}$	$\frac{.875}{.883}$	$\frac{1.045}{1.110 (1.089)}$
1"	$\frac{1.121}{1.129}$	$\frac{1.120}{1.130}$	$\frac{1.120}{1.130}$	$\frac{1.125}{1.135}$	$\frac{1.329}{1.399 (1.384)}$
1 1/4"	$\frac{1.371}{1.379}$	$\frac{1.370}{1.380}$	$\frac{1.370}{1.380}$	$\frac{1.375}{1.385}$	$\frac{1.754}{1.832 (1.804)}$
1 1/2"	$\frac{1.621}{1.630}$	$\frac{1.619}{1.631}$	$\frac{1.619}{1.631}$	$\frac{1.625}{1.637}$	$\frac{2.050}{2.141 (2.109)}$
2"	$\frac{2.120}{2.130}$	$\frac{2.119}{2.131}$	$\frac{2.119}{2.131}$	$\frac{2.125}{2.137}$	$\frac{2.637}{2.742 (2.709)}$
Type of Fitting	C, H, J, GJ, B	C, H, J, GJ, B	C, H, J, GJ, B	C, H, J, GJ, B	PE
Type of SS Stiffener	86	86	86	86	87

Outside Diameter Chart

Types of Pipe/Tubing for use with Cambridge Brass (Outside Diameters listed)

NOMINAL SIZE	C903	PVC	IPS	IP	LEAD PIPE		
	C903	BRASS PIPE & PVC ASTM D1785 SCH. 40	POLYETHYLENE ASTM D3035 SDR 9 / SDR 11 OD CONTROLLED IRON PIPE SIZE	STEEL PIPE	STRONG S or A	EXTRA STRONG XS or AA	DOUBLE EXTRA STRONG XXS or AAA
1/2"		$\frac{.836}{.844}$		$\frac{.836}{.844}$	$\frac{.783}{.813}$	$\frac{.861}{.891}$	$\frac{.997}{1.027}$
5/8"					$\frac{1.004}{1.034}$	$\frac{1.067}{1.097}$	$\frac{1.122}{1.152}$
3/4"	$\frac{.984}{.996}$	$\frac{1.046}{1.054}$	$\frac{1.046}{1.054}$	$\frac{1.046}{1.054}$	$\frac{1.141}{1.171}$	$\frac{1.197}{1.227}$	$\frac{1.321}{1.351}$
1"	$\frac{1.260}{1.272}$	$\frac{1.310}{1.320}$	$\frac{1.310}{1.320}$	$\frac{1.310}{1.320}$	$\frac{1.413}{1.443}$	$\frac{1.477}{1.507}$	$\frac{1.581}{1.611}$
1 1/4"		$\frac{1.655}{1.665}$	$\frac{1.655}{1.665}$	$\frac{1.655}{1.665}$	$\frac{1.655}{1.685}$	$\frac{1.750}{1.780}$	$\frac{1.874}{1.904}$
1 1/2"		$\frac{1.894}{1.906}$	$\frac{1.894}{1.906}$	$\frac{1.894}{1.906}$	$\frac{1.969}{1.999}$	$\frac{2.061}{2.091}$	$\frac{2.257}{2.287}$
2"		$\frac{2.369}{2.381}$	$\frac{2.369}{2.381}$	$\frac{2.369}{2.381}$	$\frac{2.488}{2.518}$	$\frac{2.736}{2.766}$	$\frac{2.993}{3.023}$
Type of Fitting	K	PJ	PJ	PJ, IP	X	XS	XXS
Type of SS Stiffener			88, 89, 84				

Flare



For this feature add "E" to the connection type H, C or K.



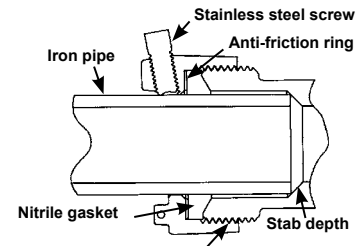
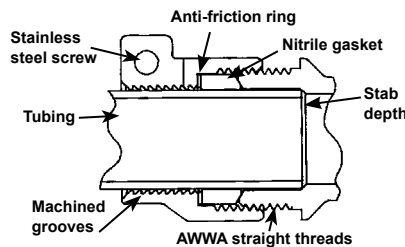
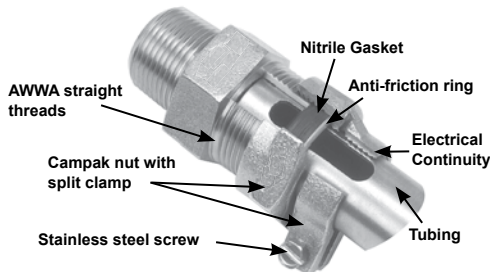
INTENDED FOR USE ON COLD WATER SERVICES

1. Handle parts carefully, do not drop, protect threads from damage
2. Do not interchange parts with other manufacturers
3. USE A SMOOTH-JAWED ADJUSTABLE WRENCH that fully and evenly engages wrenching flats. Loose fitting wrenches and pipe wrenches may distort and damage the part resulting in leakage
4. AWWA and tapered pipe threads require a good quality sealant or PTFE tape before mating
5. Use only pipes and fittings intended for use together. Check specifications
6. Use stainless steel inserts to reinforce flexible plastic pipes
7. Piping must be round and cut square, clean, and smooth with proper tools. Do Not Use A Hacksaw
8. PRESSURE TEST ALL JOINTS, VALVES AND FITTINGS BEFORE BACKFILLING
9. Do not allow water to freeze within valves and fittings. Expansion of ice may damage the part
DAMAGE DUE TO IMPROPER INSTALLATION, HANDLING OR FREEZING OF WATER IN THE PART WILL VOID THE WARRANTY

Campak, B, PE, PJ, IP Compression

Campak, B, PE, PE , PJ, strong lead, extra strong lead or double extra strong lead is stabbed thru nut and gasket/friction ring assembly to stab depth. Hand tight plus 1 1/2 turns, which compresses the Nitrile gasket, which creates a water-tight seal. The stainless steel screw is tightened to contact the brass clamp to the opposite side, for pull-out strength.

Iron pipe (IP) is stabbed thru nut and gasket/friction ring assembly to stab depth. The nut is tightened to hand plus 1 1/2 turns, which compresses the gasket, which creates a water-tight seal. The stainless steel screw or screws are tightened to the required torque, for pull-out strength.



DO NOT OVERTIGHTEN

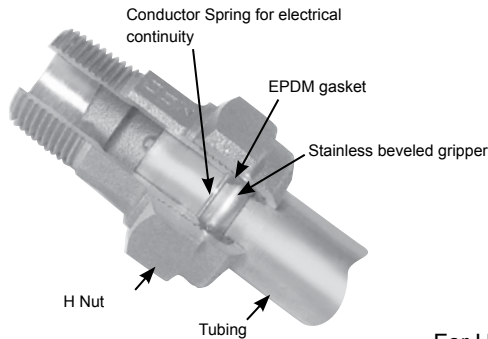
NOTE: H, B, GJ, J, K nuts have the same threads and are interchangeable.

CAMPAK PEP PVC Installation

1. **CAMPAK** - Use copper water pipe type K or L (ASTM B88) or CTS polyethylene pipe SDR-9 (AWWA 901, ASTM D2737)
2. **PEP** - Use polyethylene pipe ID controlled SIDR-7 (ASTM D2239, D3035, D2662)
3. **PVC** - Use PVC pipe or IPS polyethylene pipe SDR-9, 11, 17
4. Loosen nut to relax gasket/ gripper combination and insert pipe through nut into the socket of the fitting
5. Push pipe in until it bottoms inside fitting body (with stops) or appropriate depth (without stops)
6. Tighten nut 1 to 1 1/2 turns after gasket starts to compress. If clamp screw is not accessible, reposition by further tightening the nut
7. To ensure against blowout of pipe, tighten the clamp screw very secure! A socket wrench is preferable to a screwdriver.

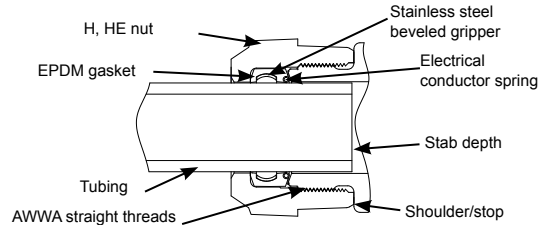
CB Compression - H, HE

Copper tube, CTS PE is stabbed through the nut and gasket/friction ring assembly to stab depth. The H or HE nut is tightened to the stop/shoulder on the body, which compresses the EPDM gasket and stainless steel beveled gripper, which creates a water-tight seal and pull-out strength. The electrical conductor spring makes positive contact between the copper tubing and the brass nut/fitting. When using with CTS PE, H or HE, the electrical conductor spring becomes purposeless.



HE Option for Nut

For HE feature add "E" to the Available for 3/4", 1", 1 1/4", 1 1/2", & 2.



"E" Anode, Thaw Wire, Tracer Wire Option for "H" Nut

NOTE: H, B, GJ, J, K nuts have the same threads and are interchangeable.

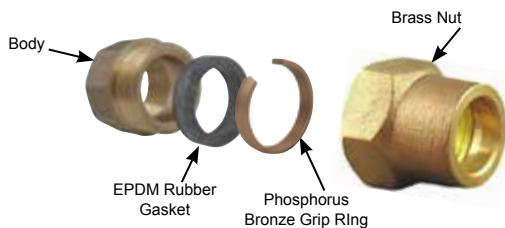
Any H Series connection can be changed to a **Kitec Connection**. Replace the "H" in the model number with a "K." 3/4" or 1" only.



*Insert stiffeners are **required** on all flexible plastic connections. **NOTE: Materials meet or exceed A.W.W.A. Standard C-800.**

Grip Joint Series

Copper tube, CTS PE is stabbed through the nut and grip ring/friction ring and gasket assembly to stab depth. The GJ nut is tightened to the stop/shoulder on the body, which compresses the EPDM gasket and phosphorus bronze gripper, which creates a water-tight seal and pull-out strength.



GJ Series from Cambridge Brass. is a CTS Compression connection that is available in 3/4", 1", 1 1/4", 1 1/2" and 2" sizes.

This connection can be utilized on all Cambridge Brass series end connections by removing the Compression assembly and replacing it with the GJ assembly.

The brass nuts are made from C83600 ASTM B584 brass along with NSF 61 rubber gasket and Phosphorus Bronze grip ring.

For use with Copper tube, ("K" & "L" Hard or Soft) or CTS PE (ASTM D2737 SDR 9) with appropriate Insert Stiffener.

Features:

- Large wrench flats for easier installation
- Tighten to Shoulder Stop
- Interchangeability. H, B, GJ, J, K nuts have the same threads and are interchangeable Except where noted.

Haystite

Installation Instructions

1. Use copper water pipe type K or L (ASTM B88) or CTS polyethylene tubing OD controlled SDR-9 (AWWA 901, ASTM D2737)
2. Loosen nut to relax gasket/gripper combination and insert pipe through nut into the socket of the fitting
3. Push pipe in until it bottoms inside fitting body (with stops) or appropriate depth (without stops)
4. Tighten nut 1 1/2 turns after hand tight



105NL-J3F3

Outlet Connections



Wrench on Brass Valves & Fittings



Do NOT use a pipe wrench with serrated jaws



Use a wrench with smooth jaws

Insert Stiffeners

Insert Stiffeners required on all flexible plastic connections

Materials meet or exceed AWWA standard C800

Series 86 CTS SDR 9



Sizes: 3/4", 1", 1 1/4", 1 1/2", 2"
 POLYETHYLENE - ASTM D2737
 SDR 9 - TUBE SIZE
 PEX TUBING - ASTM F876 -
 SDR 9 - CSA B137.5
 POLYBUTYLENE - ASTM D2666
 SDR 9 - TUBE SIZE - CLASS 250

Series 87 PE SDR 7



Sizes: 3/4", 1", 1 1/4", 1 1/2", 2"
 POLYBUTYLENE -
 ASTM D2662 SDR 7 - or
 POLYETHYLENE - ASTM
 D2239
 SDR 7 & 9 - PIPE SIZE

Series 88 IPS SDR 9



Sizes: 3/4", 1", 1 1/4", 1 1/2", 2"
 POLYETHYLENE - ASTM
 D3035
 SDR 9 - OD
 CONTROLLED
 PIPE SIZE

Series 89 IPS SDR 11



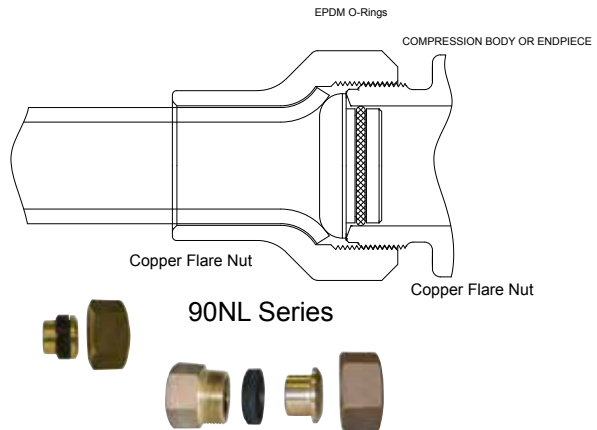
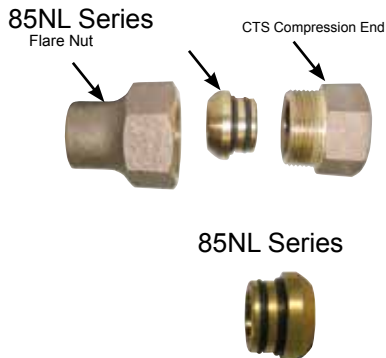
Sizes: 3/4", 1", 1 1/4", 1 1/2", 2"
 POLYETHYLENE - ASTM
 D3035
 SDR 11 - OD
 CONTROLLED
 PIPE SIZE

Series 84 SDR 17



Sizes: 3/4", 1"
 POLYETHYLENE - ASTM
 D3035
 SDR 17 - OD
 CONTROLLED
 PIPE SIZE

Compression Adaptors & Plugs



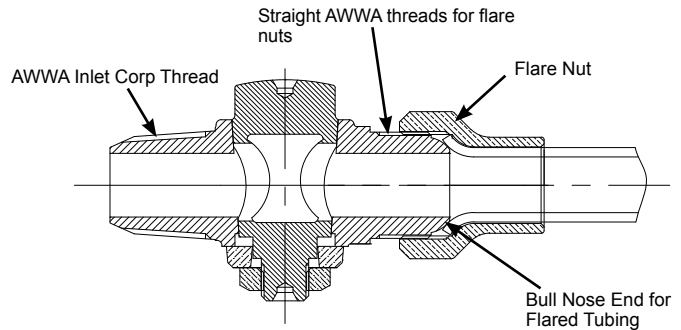
Plug Valves

Plug Valve Corporation Stops are precision machined to assure a perfect match between the plug and the body. This same machining precision carries over to the threads to assure Cambridge Brass' high quality. Corporation stops come standard with a 360° for mains and 180° for angle valve operating head. Use only smooth jawed wrenches on corporation stop bodies and position the wrench only on the flats provided on the bodies. Also position your wrench as close as possible to the threads being tightened to avoid excessive strain or bending moment on the body. Pressure ratings are: 100 PSIG for 3/4" and 1". For applications over 1", Cambridge Brass recommends the use of Ball Valves.

Options

- For electrical nut option, add "E" to H, K, C to make HE, KE, CE
- For valve or fitting less nut add "LN" to end of model number
- Insert stiffeners are required on all flexible plastic connections

The term AWWA inlet thread is also referred to as C.C. threads, threads or Mueller threads.



Anatomy of a Cambridge Brass Ball Valve

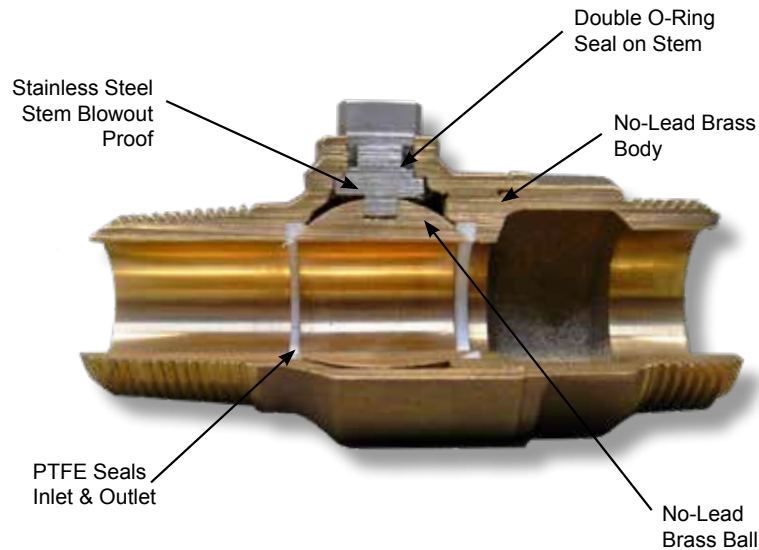
Main (Corporation) Stops | Curb Stops | Service Line Fittings | Meter Valves | Meter Couplings & Accessories | Meter Setters

Material Specification

Body	Heavy Pattern Cast No-Lead Brass in conformance with CDA C89833
Top Cap	Cast Brass C83600
Nuts	Cast Brass C83600
Stem	Stainless Steel Type 304
Ball	Uncoated No-Lead Brass Ball C89833
Seats	Two Unfilled PTFE
O-Rings	Nitrile Rubber are standard

Features & Options

- Meets or exceeds AWWA C-800, NSF 61 & NSF 372
- Ball Valves are rated at 300 psi
- Stem/Ball Connection capable of transmitting 45 ft-lb torque – Full Port
- Integral Lockwing available
- 360 degree rotation or open right options available



End Connections

CTS Compression	CB Compression & Campak 1/2" - 2" size Haystite & Gripjoint 3/4" x 2"
Kitec	3/4" & 1" size
Copper Flare	1/2" thru 2" size
Meter Connection	5/8", 3/4", 1", 1 1/2" & 2" size
FIP & MIP	1/2" thru 2" size
PEP & PVC	3/4" thru 2"

Ball Valves

Rated 300 PSI

Ball Valve Corporation Stops come standard with a 360° operating head and are designed for low turning torques and high pressures (300 PSIG). The no-lead brass ball is supported by two PTFE ball seats. Additionally there are two Buna-N O-rings on the stainless steel blow-out proof stem designed to isolate from line pressure. The end piece joint is permanently sealed with thread locker. The bubble-tight feature at 300 PSIG makes these valves a better choice than a plug valve when test or operating pressures over 100 PSIG are expected. All Cambridge Brass Ball Valve Corporation Stops are available with a wide variety of end connections and are manufactured to meet or exceed AWWA C800 (latest version) and NSF 61 & 372 standards, except where noted.

- All Cambridge Brass Corporation Stops are pressure tested prior to packaging.
- The end piece joint is sealed with thread locker.
- All Cambridge Brass Corporation Stops are designed to be used with all known tapping and drilling machines.
- For drilling and tapping machine adapters see chart on page 17.
- Assembly is shipped with a thread protector
- **NOTE: Materials meet or exceed AWWA C800 (latest revision) and NSF 61 & 372 standards**

Material Specifications

Body - Heavy Pattern Cast No-Lead Brass in conformance with CDA C89833

Top Cap - Cast Brass C83600

Nuts - Cast Brass C83600

Stem - Stainless Steel Type 304

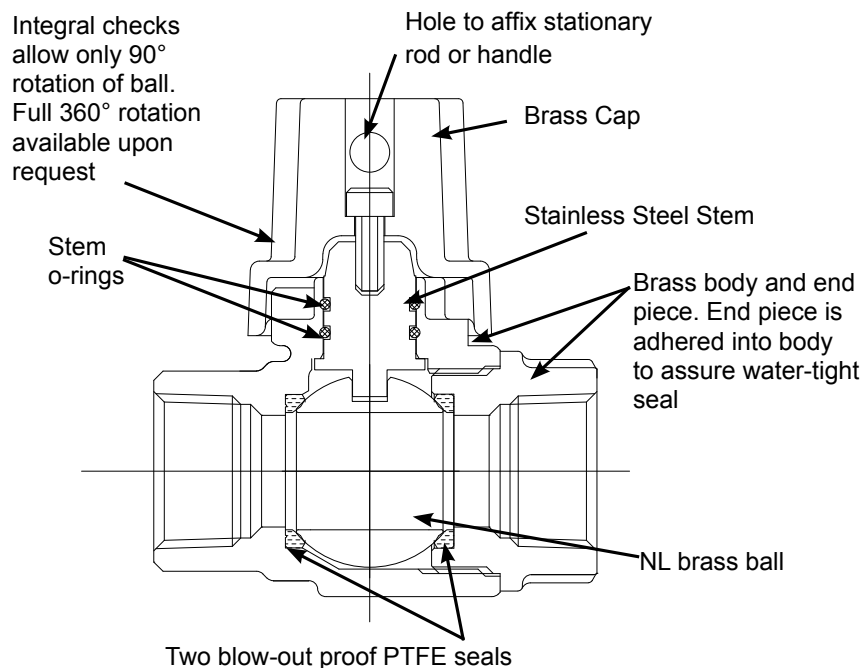
Ball - Uncoated No-Lead Brass Ball C89833

Seats - Two unfilled PTFE on Full Port

O-Rings - Nitrile Rubber (standard)

Options

- For electrical nut option, add "E" to H, K, C to make HE, KE, CE
- For valve or fitting less nut add "LN" to end of model number
- Insert stiffeners are required on all flexible plastic connections, refer to Service Fitting section on page 77 for options



Cambridge Brass waterworks products are designed for reliable service. Like all brass products, however, they can be damaged by improper handling and use.

CAUTION:

1. PROTECT THREADS Nicks or distorted threads, especially on tapered threads, can cause leaks.
 2. USE A GOOD THREAD SEALANT where threads are intended to provide a leak-proof connection. Do not overtighten.
 3. DO NOT use Vaseline®, plumber's grease, or any other petroleum product on seals or o-rings.
 4. USE ONLY A SMOOTH JAWED ADJUSTABLE WRENCH on the flats provided nearest the thread being made up. Serrated pipe wrenches apply a loose, improper fit that can distort the body and cause a leak, especially on valves.
 5. Plug style corp valves should be installed so that the wrenching flats of a tightened valve are positioned top and bottom (see Figure 1).
 6. AVOID DROPPING or the use of a hammer on any plug or key type valve. Impacts, causing dents or distortion, can cause leaks by unseating the plug portion of the valve.
 7. PRESSURE TEST for leaks before backfilling.
 8. FIELD TESTING Special high pressure field testing may require capping the outlet of corporation stops, curb stops and angle meter stops.
 9. HIGH PRESSURE INSTALLATION Standard AWWA tapered plug valves are intended for not more than 100 PSIG water in sizes 1/2", 3/4" and 1".
 10. BACKFILL CAREFULLY to avoid damage to the service line and connections. Loop service piping on corporation connections to minimize strain on the body and connections (See Figure 1).
- NOTE:** For corps with Kitec® ends, remove Kitec® adaptor prior to drilling. Reassemble Kitec® adaptor to corp after drilling. Inspect all o-rings for damage prior to reassembly.
- NOTE:** For installations having pressures in excess of 100 PSIG (3/4" and 1" corp stops) the use of Cambridge Brass "ball-style" corporation stops is recommended. Ball corporations are for use with water only and are rated at 300 PSIG water pressure.

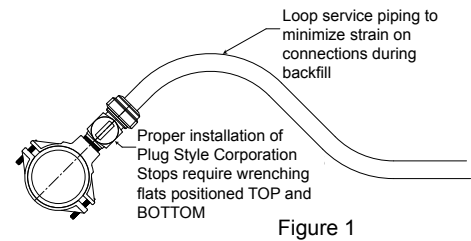


Figure 1

DAMAGE CAUSED BY IMPROPER USE AND HANDLING WILL VOID OUR WARRANTY.

Recommended Wrenching on Brass Valves and Fittings



Do NOT use a pipe wrench with serrated jaws



Use a wrench with smooth jaws

Mainstop Installation

Valves may be installed directly into either a dry main or a main under pressure with a standard tapping machine with or without a saddle. Consult the pipe manufacturer for their recommendation.

When direct tapping directly into mains, ensure that the tapping tool used is in good condition and that the tapped hole is made to the correct size. Check that the main stop inlet thread and tap are the same thread type. Always apply Teflon sealant to the valve inlet threads. A correctly installed valve will have valve inlet threads still visible.

Large wrench flats are provided on both the plug and ball style bodies for tightening and are to be used with a smooth flat jaw adjustable wrench. Careful attention must be made to fully engage the wrench with a snug fit on the valve body flats. This will ensure there are no leaks from distortion. Do not use a pipe wrench as this may distort the valve body. Do not over tighten as this may also damage the valve.

When using a tapping machine adaptor to tighten the valves in place, ensure the correct adaptor is used, and the adaptor threads match the outlet threads. See Tapping Machine Adaptor chart for details

Drilling and Tapping Machine Adaptors

Drilling and Tapping Machines												
Outlet Code	Outlet Size	Mueller					Ford		Hays		Romac	Footage
		B100 B101	No. B	No. A2 No. A3	No. E4 No. E5	No. D4 No. D5	Model 77	No. 5930	No. 5935	No. B1	Tapmate TOO	Mini-Tap XL T752
B, GJ, H & J	3/4"	680600	680600	680600	52019	37902	DMA2-3	354-05-506	355-05-506	353-06-106	351-05-506	T752-20
	1"	680601	680601	680601	36750	37903	DMA2-4	355-05-508	355-05-508	353-06-108	351-05-508	T752-21
	1 1/4"	680602	-	680602	45385	37904	DMA2-5	355-05-510	355-05-510	353-06-110	351-05-510	T752-22
	1 1/2"	-	-	680421	501949	507644	DMA4-6-Q	-	355-05-712	-	351-05-712	T752-42
	2"	-	-	680422	508199	507645	DMA4-7-Q	-	355.05-716	-	351-05-716	T752-43
Copper Flare C	3/4"	680600	680600	680600	52019	37902	DMA2-3	355-05-506	355-05-506	353-06-106	351-05-506	T752-20
	1"	680601	680601	680601	36750	37903	DMA2-4	355-05-508	355-05-508	353-06-108	351-05-508	T752-21
	1 1/4"	680602	-	680602	45385	37904	DMA2-5	355-05-510	355-05-510	353-06-110	351-05-510	T752-22
	1 1/2"	-	-	88640	501947	37905	DMA2-6	-	355-05-712	-	351-05-512	T752-23
PE & PJ	3/4"	680601	680601	680601	36750	37903	DMA2-4	355-05-508	355-05-508	353-06-108	351-05-508	T752-21
	1"	680602	-	680602	45385	37904	DMA2-5	355-05-510	355-05-510	353-06-110	351-05-510	T752-22
	1 1/4"	-	-	680421	507644	507644	DMA2-6-Q	-	355-05-712	-	351-05-712	T752-42
	1 1/2"	-	-	680422	508199	507645	DMA4-7-Q	-	355.05-716	-	351-05-716	T752-43
	2"	-	-	88641	508201	37906	DMA2-7	-	Not Req'd	-	351-06-516	T752-24
MIP, M	3/4"	680631	680631	680631	36910	36910	DMA1-3	355-05-406	355-05-406	353-06-306	351-05-406	-
	1"	680632	680632	680632	36911	36911	DMA1-4	355-05-408	355-05-408	353-06-308	351-05-408	-
	1 1/4"	-	-	-	36912	36912	DMA1-5	355-05-410	355-05-410	-	351-05-410	-
	1 1/2"	-	-	-	36913	36913	DMA1-6	-	355-05-412	-	351-05-412	-
	2"	-	-	-	36525	36525	DMA1-7	-	355-05-416	-	351-05-416	-
FIP, F	3/4"	680595	680595	680595	33556	33556	-	354-05-606	-	353-06-406	351-05-606	-
	1"	680596	680596	680596	36323	36323	-	354-05-608	-	353-06-408	351-05-608	-
	1 1/4"	680597	680597	680597	36195	36495	-	354-05-610	-	-	351-05-610	-
	1 1/2"	-	-	-	36196	36196	DMA8-6	-	-	-	351-05-612	-
	2"	-	-	-	36188	36188	DMA8-7	-	-	-	351-05-616	-
Internal Drive ID	3/4"	-	-	680654	-	-	-	-	-	-	-	-
	1"	-	-	680655	-	-	-	-	-	-	-	-
	1 1/4"	-	-	-	-	-	-	-	-	-	-	-
	1 1/2"	-	-	58483	-	-	DMA1-67	-	-	-	-	-
	2"	-	-	58484	-	-	DMA1-78	-	-	-	-	-

Maximum Size Drills to be used with Cambridge Brass Corporation Stops Per AWWA C-800 Table 1

Corporation Size	1/2"	5/8"	3/4"	1"	1 1/4"	1 1/2"	2"
Corp. Stop with AWWA Thread Inlet	7/16"	9/16"	11/16"	15/16"	1 3/16"	1 7/16"	1 7/8"
Corp. Stop with I.P. Thread Inlet	7/16"	-	11/16"	7/8"	1 1/8"	1 7/16"	1 3/4"

2 Piece Saddle - 805 Series

- Saddles should be installed after pipe pressure testing is completed.
- Use only on PVC pipe. Make sure you have proper type and size of saddle for pipe. Reference pipe diameter, tap size and identification located on each saddle.
- Make sure saddle sealing surface on the pipe is clean, free of "nicks", gouges, or other imperfections that could cause leakage.
- DO NOT use Vaseline®, plumber's grease, or any other petroleum based product on seals or o-rings.
- Place saddle outlet and band around pipe and attach together loosely using capscrews into tapped holes. Then rotate the saddle into desired position.
- Cambridge Brass saddles are **NOT** designed to bottom out. Alternating between each bolt, tighten to the following torques:
 - FOR 3/4" AND 1" THREAD SIZE OUTLETS:
 - 2", 2-1/2", and 3" pipe - 4 - 5 FOOT-POUNDS. (approx. 4 to 5 lbs. pull on 12" wrench)
 - 4", 6", and 8" pipe - 5 - 6 FOOT-POUNDS. (approx. 5 to 6 lbs. pull on 12" wrench)
 - 10" and 12" pipe - 24 - 26 FOOT-POUNDS. (approx. 24 to 26 lbs. pull on 12" wrench)
 - FOR 1-1/2" AND 2" THREAD SIZE OUTLETS:
 - 4" and 6" pipe - 13 - 15 FOOT-POUNDS. (approx. 13 to 15 lbs. pull on 12" wrench)
 - 8" pipe - 17 - 19 FOOT-POUNDS. (approx. 17 to 19 lbs. pull on 12" wrench)
 - 10" and 12" pipe - 24 - 26 FOOT-POUNDS. (approx. 24 to 26 lbs. pull on 12" wrench)
- Overtightening can cause failure of saddle or bolt.
- After the corporation stop has been installed, recheck saddle torque and tighten if necessary.
- Cambridge Brass saddles are designed to withstand water working pressure up to but not exceeding the working pressure rating of the pipe up to 200 PSIG maximum. Use only on a cold water service.
- Saddle testing should be accomplished while services are exposed and prior to backfilling.

Hinged Saddle - 800 Series

- Saddles should be installed after pipe pressure testing is completed.
- Use only on PVC pipe.
- Make sure you have proper type and size of saddle for pipe. Reference pipe diameter range, tap size and identification located on each hinged saddle.
- Clean pipe surface thoroughly.
- DO NOT use Vaseline®, plumber's grease, or any other petroleum based product on seals or o-rings.
- Mount saddle on pipe with outlet facing desired direction.
- Cambridge Brass hinged saddles are **NOT** designed to bottom out. Tighten bolts to the following torques:
 - 3/4" and 1" thread size outlets:
 - 2", 2 1/2", 3" pipe - 4 - 5 FOOT-POUNDS (approx. 4 to 5 lbs pull on a 12" wrench)
 - 4", 6", 8" pipe - 5 - 6 FOOT-POUNDS. (approx. 5 to 6 lbs pull on a 12" wrench)
 - 1 1/2" and 2" thread size outlets:
 - 3", 4" pipe - 5 - 6 FOOT-POUNDS*. (approx. 5 to 6 lbs pull on a 12" wrench)
 - 6", 8" pipe - 7 - 9 FOOT-POUNDS*. (approx. 7 to 9 lbs pull on a 12" wrench)

*Be sure to alternate tightening of the 2 bolts to ensure even loading.
- Overtightening can cause failure of saddle, bolt or hinge pin.
- After the corporation stop has been installed, recheck saddle torque and tighten if necessary.
- Cambridge Brass hinged saddles are designed to withstand water working pressure up to but not exceeding the working pressure rating of the pipe up to 200 PSIG maximum. Use only on a cold water service.
- Saddle testing should be accomplished while services are exposed and prior to backfilling.

Stainless Steel Band Saddle - 811, 812, 822

- Whenever possible, saddles should be installed after pipe pressure testing is completed.
- Make sure the proper type and size saddle have been selected for the pipe.
 - NOTE: Both 10" and 12" saddles are available with multiple band and saddle top combinations. Make sure the pipe size lies in the ranges listed on the band/saddle top combination.
- Clean pipe surface thoroughly.
- DO NOT use Vaseline®, plumber's grease, or any other petroleum based product on seals or o-rings.
- Mount saddle on pipe with outlet facing desired direction.
- Tighten nuts evenly to a torque of 50-60 FOOT POUNDS.
- Overtightening can cause failure of the pipe and/or the saddle.
- After the corporation stop has been installed, recheck saddle torque and tighten if necessary.
- Cambridge Brass stainless steel band saddles are designed to withstand water working pressure, up to but not exceeding, the working pressure rating of the pipe. Use only on a cold water service.
- Saddle testing should be accomplished while services are exposed and prior to backfilling.

Bronze Single Band Saddle - 820

- Whenever possible, saddles should be installed after pipe pressure testing is completed.
- Make sure you have proper type and size of saddle for pipe. Reference pipe diameter range, tap size and identification located on the top piece of each saddle.
- Do not use on PVC pipe.
- Clean pipe surface thoroughly.
- DO NOT use Vaseline®, plumber's grease, or any other petroleum based product on seals or o-rings.
- Mount saddle on pipe with outlet facing desired direction.
- Tighten nuts evenly to a torque of 50-60 FOOT POUNDS.
- After the corporation stop has been installed, recheck saddle torque and tighten if necessary.
- Cambridge Brass single band saddles are designed to withstand water working pressure up to, but not exceeding, the working pressure rating of the pipe. Use only on a cold water service.
- Saddle testing should be accomplished while services are exposed and prior to backfilling.

Bronze Double Band Saddle - 810

1. Whenever possible, saddles should be installed after pipe pressure testing is completed.
2. Make sure you have proper type and size of saddle for pipe. Reference pipe diameter range, tap size and identification located on each double band top.
3. Clean pipe surface thoroughly.
4. DO NOT use Vaseline®, plumber's grease, or any other petroleum based product on seals or o-rings.
5. Mount saddle on pipe with outlet facing desired direction.
6. Tighten nuts evenly to a torque of 50-60 FOOT-POUNDS.
7. Do not use on PVC pipe unless installation meets pipe anufacturers recommendations or approval. If used with PVC pipe - tighten nuts evenly to 30 FOOT-POUNDS. Overtightening can cause failure of the pipe.
8. After the corporation stop has been installed, recheck saddle torque and tighten if necessary.
9. Cambridge Brass double band saddles are designed to withstand water working pressure up to but not exceeding the working pressure rating of the pipe. Use only on a cold water service.
10. Saddle testing should be accomplished while services are exposed and prior to backfilling.

WARNING!



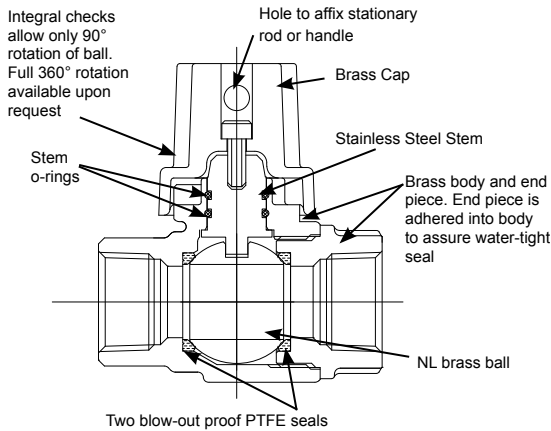
WARNING: It is unlawful in **CALIFORNIA & VERMONT (effective 1/1/2010); MARYLAND (effective 1/1/2012); LOUISIANA (effective 1/1/2013) and the UNITED STATES OF AMERICA (effective 1/4/2014)** to use any product in the installation or repair of any public water system or any plumbing in a facility or system that provides water for human consumption if the wetted surface area of the product has a weighted average lead content greater than 0.25%. This prohibition does not extend to service saddles used in California, Louisiana or under USA Public Law 111-380.

Pipe/Saddle Chart

Engineering

PIPE SIZE	PVC		CAST IRON			ASBESTOS-CEMENT			STEEL	
	STEEL SIZE	PVC C900	CLASSES		O.D.	CLASS	MACHINED END O.D.	ROUGH-BARREL O.D. (MIN-MAX)	TYPE	O.D.
O.D.	O.D.	PIT	SPUN							
1/2"	.84								STD	.84
3/4"	1.05								STD	1.05
1"	1.32								STD	1.32
1 1/4"	1.66								STD	1.66
1 1/2"	1.90								STD	1.90
2"	2.38	2.50			2.50				STD	2.38
2 1/2"	2.88								STD	2.88
3"	3.50		A B,C,D	50 - 350	3.80	100	3.74	4.00	O.D.	3.00
					3.96	150	3.84	4.10	STD	3.50
						200	3.84	4.29		
3 1/2"								STD	4.00	
4"	4.50	4.80	A B,C,D	50 - 350	4.80	100	4.64	4.79 - 5.14	O.D.	4.00
					5.00	150	4.81	4.97 - 5.27	STD	4.50
						200	4.81	5.22 - 5.57		
4 1/2"								STD	5.00	
5"								STD	5.56	
6"	6.63	6.90	A B,C,D E,F	50 - 350	6.90	100	6.91	7.05 - 7.40	O.D.	6.00
					7.10	150	6.91	7.07 - 7.37	STD	6.63
					7.22	200	6.91	7.26 - 7.56		
7"								STD	7.63	
8"	8.63	9.05	A,B C,D E,F	50 - 300 350	9.05	100	9.11	9.22 - 9.57	O.D.	8.00
					9.30	150	9.11	9.27 - 9.57	STD	8.63
					9.42	200	9.11	9.39 - 9.74		
9"								STD	9.63	
10"	10.75	11.10	A,B C,D E,F	50 - 200 250 - 350	11.10	100	11.24	11.42 - 11.77	O.D.	10.00
					11.40	150	11.66	11.82 - 12.12	STD	10.75
					11.60	200	11.66	11.77 - 12.12		
12"	12.75	13.20	A,B C,D E,F	50 - 200 250 - 350	13.20	100	13.44	13.69 - 14.04	O.D.	12.00
					13.50	150	13.92	14.08 - 14.38	STD	12.75
					13.76	200	13.92	14.03 - 14.38		
14"	14.00	15.30	A,B C,D E,F	50 - 100 150 - 300	15.30	100	15.07	15.40 - 15.80	O.D.	14.00
					15.65	150	16.22	16.38 - 16.73		
					15.98	200	16.22	16.48 - 16.88		
16"	16.00	17.40	A,B C,D E,F	50 - 100 150 - 300	17.40	100	17.14	17.54 - 17.94	O.D.	16.00
					17.80	150	18.46	18.62 - 18.97		
					18.16	200	18.46	18.79 - 19.19		
18"	18.00	19.50	A,B C,D	50 - 100 150 - 250	19.50	100	19.90	20.44	STD	18.00
					19.92	150	20.94	21.20		
20"	20.00	21.60	A,B C,D	50 - 100 150 - 200	21.60	100	22.12	22.50	STD	20.00
					22.06	150	23.28	23.54		
22"								STD	22.00	
24"	24.00	25.80	A,B C,D	50 - 100 150 - 250	25.80	100	26.48	27.17	STD	24.00
					26.32	150	27.96	28.22		
30"	30.00	32.00	A,B C,D	50 - 100 150 - 250	32.00				STD	30.00
					32.74					

Ball Valve Design



- Available with FNPT, MNPT threads, flare or Compression ends
- Ball style curb stops are non-directional

Cambridge Brass Ball Valve Curb Stops maintain their low turning torques and bubble-tight 300 PSIG water pressure rating due to the NL coated brass ball that is supported by two PTFE seals. Cambridge Brass Ball Curb Stops offer positive shut-off from either direction.

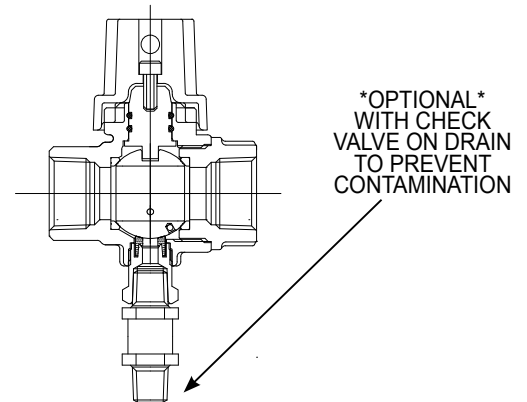
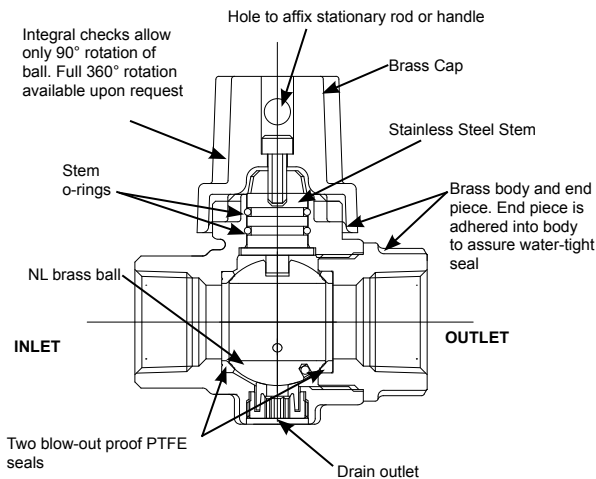
Cambridge Brass Curb Stops are available with a wide variety of end connections and also with Minneapolis Curb Box Threads.

Stainless steel, brass and integral brass handles available.

Brass 2" square operating head that is easily pinned to existing curb stops is available separately.

**MAXIMUM PRESSURE RATING
of Ball Style Curb Stops**
300 PSIG Water

Stop and Drain Ball Valve Design



Cambridge Brass' Stop and Drain Ball Valve Curb Stops maintain their low turning torques and bubble-tight 300 PSIG water pressure rating due to the NL coated brass ball that is supported by two PTFE seals. Cambridge Brass Stop and Drain Ball Curb Stops offer positive shut-off from inlet direction only.

Cambridge Brass Ball Stop and Drain Curb Stops are available with a wide variety of end connections and also with Minneapolis Curb Box Threads.

Brass and INTEGRAL brass handles available.

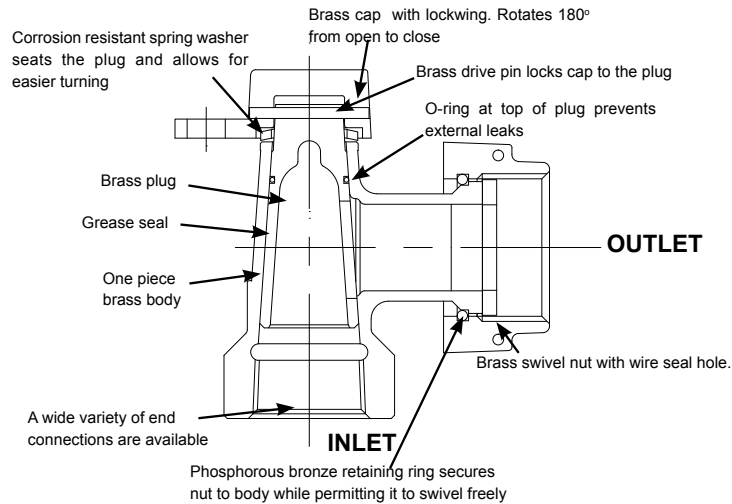
A brass 2" square operating head that is easily pinned to existing curb stops is available separately.

Available with FNPT, MNPT threads, flare or Compression ends

**MAXIMUM PRESSURE RATING
of Stop & Drain Style Ball Valves**
300 PSIG Water

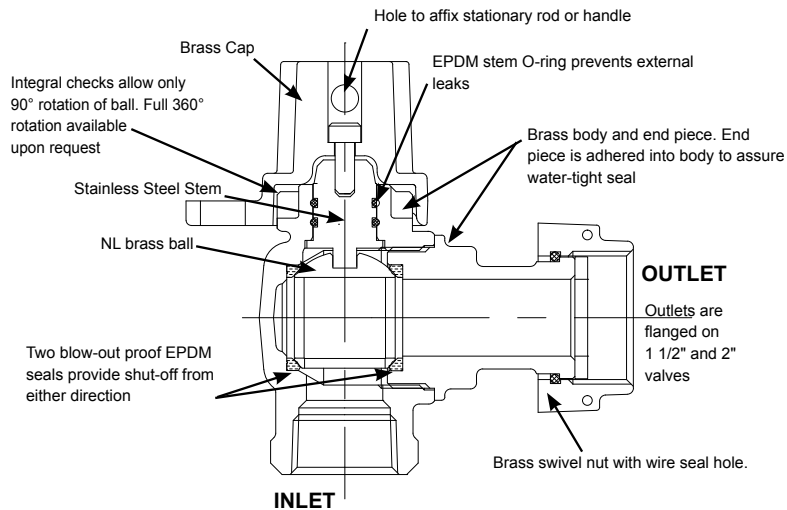
Angle Plug Valve

Maximum Pressure Rating = 100 PSIG Water



Angle Ball Valve

Maximum Pressure Rating = 300 PSIG Water

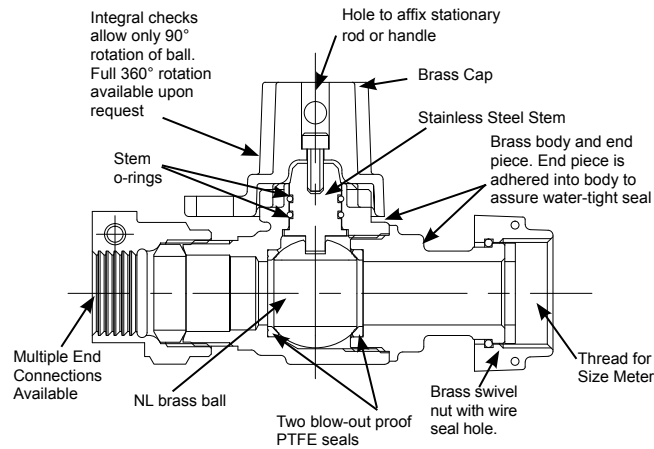


Available with FNPT threads, Flare or Compression inlets

All Cambridge Brass Valves are inspected repeatedly during the manufacturing process, then each valve is pressure-tested air under water.

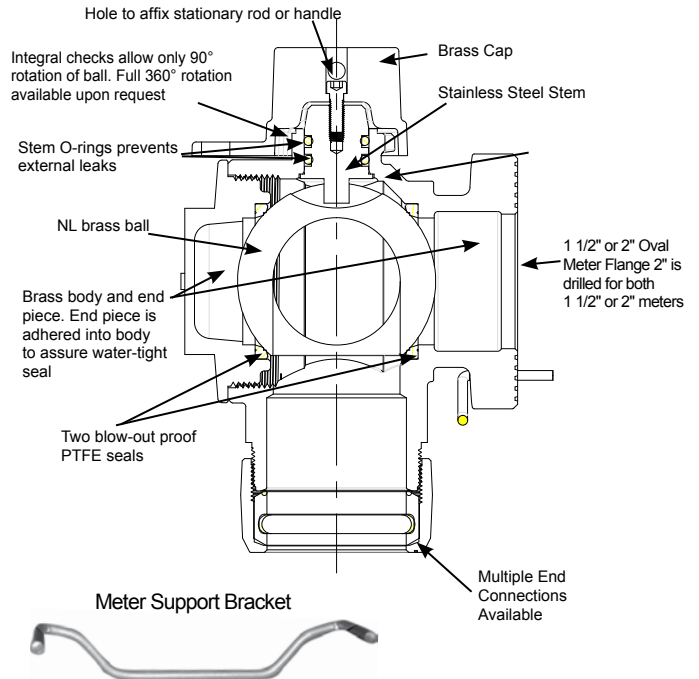
Inline Meter Ball Valve

Maximum Pressure Rating = 300 PSIG Water



1 1/2" & 2" Ball Valve

Maximum Pressure Rating = 300 PSIG Water



Codes and Descriptions of Tubing and Pipe which used with Cambridge Brass Compression Couplings

Copper Tube - the outside diameter is closely controlled by the manufacturer per ASTM specifications.

Polyethylene (PE) – CTS (Copper Tube Size) – ASTM D2737 SDR 9 or ASTM D2666 SDR 9 – flexible plastic tubing has the same outside diameter as corresponding sizes of copper tube and requires an insert stiffener to support the inside diameter of the tube.

B Series, H Series, X Series GJ Series and J Series Compression assemblies are all designed to fit copper tube or copper tube size polyethylene. These compression nuts are individually marked with their size and CTS.

PE Polyethylene (PEP) – ASTM D2239 SIDR7 & 9 or ASTM D2662 SIDR7 – flexible plastic pipe inside diameter controlled. Requires an insert stiffener to support the inside diameter of the tube.

Polyvinyl Chloride – PVC – rigid plastic pipe that has the same outside diameter as corresponding sizes of standard iron pipe.

PJ Compression assemblies are designed to fit polyvinyl chloride. These compression nuts are marked with sizes and PVC.

Iron Pipe – IP – rigid iron pipe in which the outside diameter is closely controlled by the manufacturer per ASTM specifications (can also be galvanized).

Kitec – Polyethylene-Aluminum-Polyethylene - (PE-AL-PE) - flexible composite pipe that is manufactured and third party certified to ASTM F-1282.

MNPT - Male National Pipe Thread

FNPT - Female National Pipe Thread

F-NPSM - Female National Pipe Straight Meter

M-NPSM - Male National Pipe Straight Meter

Cambridge Coupling

Rated for 300 PSIG

The Cambridge Coupling is a unique fitting with a patented design that provides the installer with a 0.400" range to accommodate varying outside diameter sized pipes. Additionally it will accommodate pipes that are slightly oval or slightly deformed, saving time & materials in some sizing situations. The range of each coupling overlaps slightly to accommodate different installation scenarios. The stainless steel teeth in the gripper ring provide electrical continuity when metallic pipes are used. With more than 3/8" of range, the Cambridge Coupling is the fitting of choice for connecting dissimilar pipes. Cambridge Couplings are manufactured by Cambridge Brass to meet or exceed the AWWA C800 (latest revision) and NSF 61 & 372 standards and are 300 PSIG rated. Our service fittings are rated to withstand the same pressures as the tubing they are designed to fit. They are designed and tested for cold portable water only. Rubber gaskets are standard.

Part Number Format

Example: 1" Cambridge Coupling x 1" Cambridge Coupling = 119NL - U 4 U 4

Series Number	Inlet Connection	Inlet Size	Outlet Connection	Outlet Size
117NL = Adaptor	U = Cambridge Coupling	2 = 5/8"	F = Female Iron Pipe	2 = 5/8"
119NL = Full Bore Coupling		3 = 3/4"	M = Male Iron Pipe	3 = 3/4"
		4 = 1"	U = Cambridge Coupling	4 = 1"
		5 = 1 1/4"	5 = 1 1/4"	
		6 = 1 1/2"	6 = 1 1/2"	
		7 = 2"	7 = 2"	

Dimensional Range:

- The Cambridge Couplings have a range of up to 0.400". That is more than 3/8" range from the minimum to maximum pipe size accommodated
- The greatest range of all couplings currently available
- Ranges of each coupling overlap slightly to accommodate different scenarios
- See table for specific sizing

Types of pipe materials:

- Copper
- Polyethylene
- PVC
- Lead
- Polybutylene
- PEX
- Steel (Galvanized, stainless, iron)
- Virtually any type of waterworks pipe materials are acceptable
- Make sure to use appropriate range for the pipe OD
- Recommended to use stainless inserts to reinforce all flexible plastic materials

Materials used in Coupling:

- All materials are NSF 61 approved for drinking water and meet US Public Law 111-380 (Bill S.3874), as well as NSF 61-G, NSF-61-G, NSF 372 and State No Lead Laws
- Body and nut are made of NO-LEAD Waterworks Brass (B89833), for strength and durability
- Gripper sub assembly:
- Gripper body is made of a high performance, water resistant polymer that has the right combination of flexibility & stiffness
- Stainless steel teeth provide restraint and electrical conductivity
- Rubber seals are made of NSF grade EPDM

Ease of use:

- Make a clean straight cut on the pipe
- Tighten the connection before installing the tube so that the rubber seal is slightly larger than the pipe
- Insert the pipe to the appropriate depth (marked on body)
- Tighten on to pipe using standard wrenches until the nut can not be turned any further with reasonable force (recommended to meet or exceed 100 ft lbs)

Design features:

- 300 PSI working pressure rating! Same as our other water works couplings
- The connection is shipped ready to use, simply insert the pipe and tighten
- Once tightened onto pipe, the teeth will penetrate the outer surface of the pipe and provide restraint The gripper body will form to the pipe OD and be in full contact and support the pipe around its entire circumference
- The rubber seals conform to the pipe diameter, providing high pressure sealing of the waterway as well as preventing contaminants and soil from entering the gripper area
- The gripper sub-assembly is symmetrical, and therefore works in either direction regardless of the orientation
- The gripper sub-assembly is a snug fit in the nut preventing loss of the gripper and seals in trench
- The stainless steel teeth provide electrical continuity from metallic pipes to the coupling body, eliminating the need for trace wires when metallic pipes are used
- Accommodates pipes that are slightly oval or slightly deformed, saving time and materials in some sizing situations

Cambridge Coupling

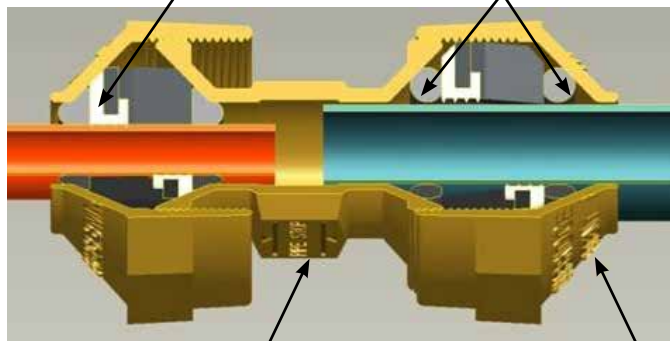
Rated for 300 PSIG

Additional Information

- Every component is made of NSF-61 approved materials, and meets the low lead guidelines regardless of whether it is in contact with water
- Wide wrench flats make it easy to use common everyday tools to tighten the connections
- The coupling body and nuts are made of quality waterworks C89833

Two rows of Stainless Steel gripping teeth are on each grip ring in alternating positions to provide restraint of the pipe, and electrical continuity to the coupling body (for metallic pipes).

The seal moves down the angled surface to accommodate the different sizes of pipe. The inner seal holds the pressure (300 PSI), while the outer seal keeps dirt and contaminants out of the fitting. Seals are made of NSF approved EPDM.



Pipes are inserted to the indicator markings on the body.

Size ranges are clearly marked in inches and millimeters on the outside of the nut



Pipe OD Range Per Size

	Min. Inches	Max. Inches	Min. (mm)	Max. (mm)
U2	0.600	0.900	15.3	22.8
U3	0.735	1.135	18.6	28.8
U4	1.000	1.400	25.4	35.6
U5	1.300	1.700	33.0	43.2
U6	1.600	2.000	40.6	50.8
U7	1.969	2.381	50.0	60.5

Pipe Material	Insert	Nominal Pipe Size						
		1/2"	5/8"	3/4"	1"	1 1/4"	1 1/2"	2"
Copper (CTS)	Not Required	U2	U2, U3	U2, U3	U3, U4	U4, U5	U5, U6	U7
Polybutylene, Polyethylene, PET, PEX SDR9 (CTS)	Series 86	U2	U2, U3	U2, U3	U3, U4	U4, U5	U5, U6	U7
Galvanized Steel (IPS)	Not Required	U2, U3	-	U3, U4	U4, U5	U5, U6	U6	U7
Polyethylene SDR9, SDR11, SDR17 (IPS)	Series 88, 89, 94	-	-	U3, U4	U4, U5	U5, U6	U6	U7
PVC (IPS)	Not Required	U2, U3	-	U3, U4	U4, U5	U5, U6	U6	U7
Polybutylene, Polyethylene PET, PEX, SIDR7 (PE)	Series 87	U2, U3	-	U3, U4	U4, U5	U6	U7	N/A
Lead Pipe - Strong (S or A)	Not Required	U2, U3	U3, U4	U4	U5	U6	U7	N/A
Lead Pipe - Extra Strong (XS or AA)	Not Required	U2, U3	U3, U4	U4	U5	U6	U7	N/A
Lead Pipe - Double Extra Strong (XXS or AAA)	Not Required	U3	U4	U4, U5	U5	U6	U7	N/A

Installation Instructions



1. CUT PIPE TO LENGTH: Make a clean cut, square to the pipe using an appropriate cutter (roll cutter or shears are preferred.)



2. INSERTION LENGTH: Put the fitting beside the pipe and note the length of the pipe to be inserted (use your thumb or marker as a guide.)



3. INSERT THE PIPE: Insert the pipe to the depth noted. (You may wish to tighten the nut to make the rubber close to the pipe diameter before insertion.)



4. TIGHTEN THE NUT: Using standard wrenches, tighten the nut to seal and grip the pipe.



5. COMPLETION: Continue to tighten until the nut will not move with reasonable force.

Series 500, 510, 520 & 502 | Inline & Angle Single Check Valves | Inline Dual Check Valves Angle & Flanged Dual Check Valves | Inline Accessible Dual Check Valves

- Each valve pressure tested prior to shipment.
- Pressure rated at 175 PSIG.
- Temperature range 34°F to 180°F.
- Union or cap of check valve sealed with o-ring and allows easy access to check for inspection, maintenance or replacement and not dependent on cartridge.
- Cast brass Components AWWA C-800 current revision.
- Check is precision molded of plastic with stainless steel spring.
- Check is designed to hold 1 PSIG in the direction of flow.
- Can be installed in either the horizontal or vertical position.
- Can be field tested.
- Available with a wide variety of threaded or Compression outlet connections.
- Check assembly remains together when removed from body (no loose pieces).

590 Angle Single Check Valves

Cambridge Brass' unique Angle Single Check Backflow Valves have meter swivel nut inlets and a wide variety of outlet configurations. Angle single checks can be ordered on our copper meter setters, resetters, insetters, and iron yokes, or they can be used independently.

Our top cap and unique perpendicular check module design ensures convenient access for inspections, maintenance or replacements without removing the valve from the line. Backflow prevention will stop the house water from flowing into a meter pit or on the floor while removing the meter for service.



Features

- Available with a wide variety of threaded or Compression outlet connections.

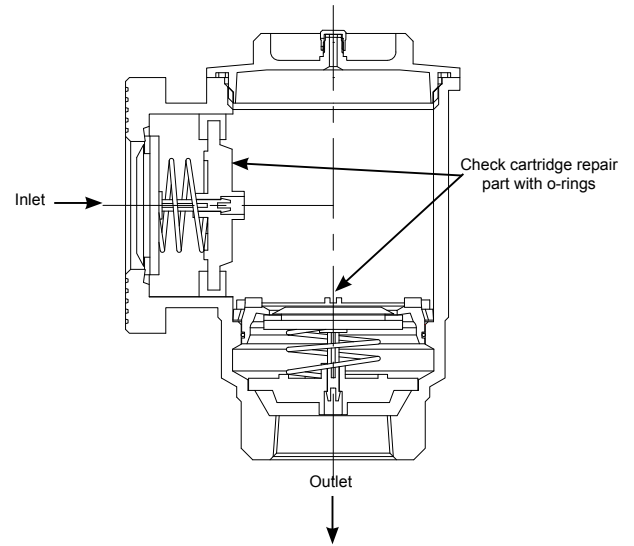
500 Flanged Angle Dual Check Valves

Cambridge Brass' unique Angle Dual Check Backflow Valves have meter oval flange inlet and FNPT outlet configurations. Angle dual checks can be ordered on our copper meter setters, resetters and insetters or they can be used independently.

Our top cap and unique perpendicular check module design ensures convenient access to both checks for inspections, maintenance, or replacements without removing the valve from the line. It also allows for a lower profile than traditional top entry dual checks. Backflow of water is still deterred if either of the checks are removed or inoperable.

Features

- Angle check valve available with FNPT tap
- Dual checks work independently of each other
- Design Tested to ANSI/ASSE 1024



510 Inline Accessible Dual Check Valves

Cambridge Brass' unique **Inline Accessible Dual Check Backflow Valves** have meter swivel nut inlets and a wide variety of outlet configurations.

Our top cap and unique check module design ensures convenient access to both checks for inspections, maintenance or replacements without removing the valve from the line. Backflow of water is still deterred if either of the checks are removed or inoperable.

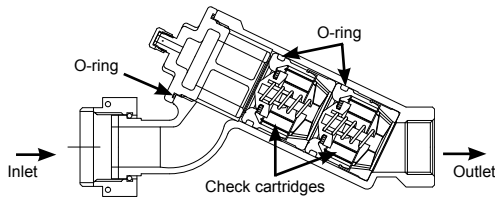


Features

- Dual checks work independently of each other.
- Valve will operate with either check removed.
- Design Tested to ANSI/ASSE 1024

Components and Repair Parts

Standard Flow Direction



500 Angle Dual Check Valves

Cambridge Brass' unique **Angle Dual Check Backflow Valves** have meter swivel nut inlet and a wide variety of outlet configurations. Angle dual checks can be ordered on our copper meter setters, resetters, insetters, and iron yokes, or they can be used independently.

Our top cap and unique check module design ensures convenient access to both checks for inspections, maintenance or replacements without removing the valve from the line. Backflow of water is still deterred if either of the checks are removed or inoperable.



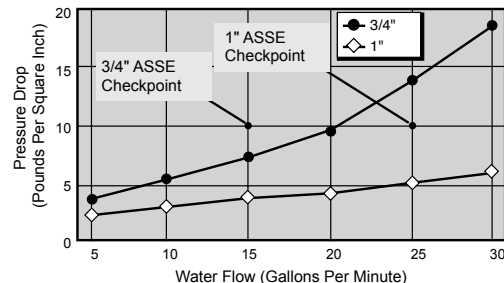
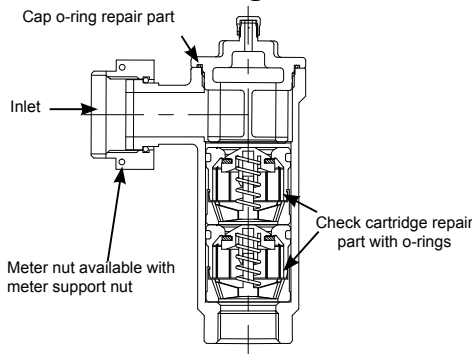
Features

- Dual checks work independently of each other.
- Valve will operate with either check removed.
- Design Tested to ANSI/ASSE 1024 and CSA B64.6 requirements.

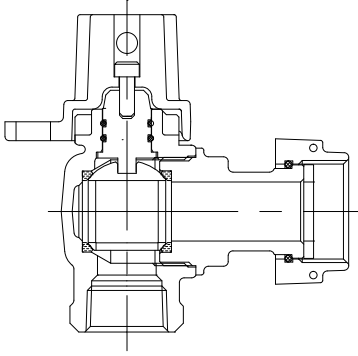
Components and Repair Parts

Most check valves are made to order, please allow two weeks for delivery.

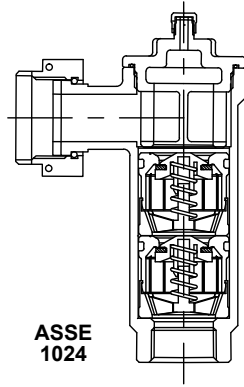
Angle



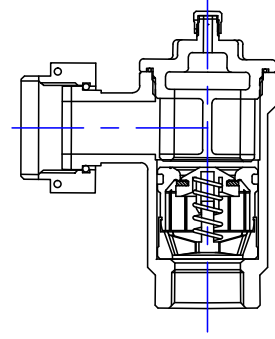
Sectional View



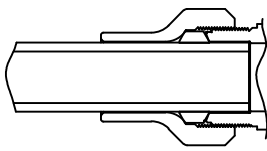
Angle Meter Valve Ball Style



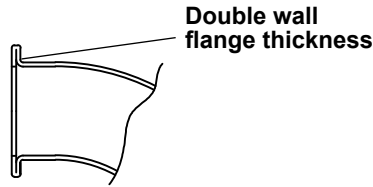
Angle Dual Poppet Check Valve
ASSE 1024



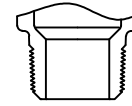
Single Poppet Check Valve



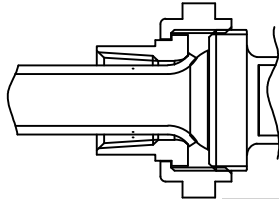
J - Haystite



Copper Tube Flange

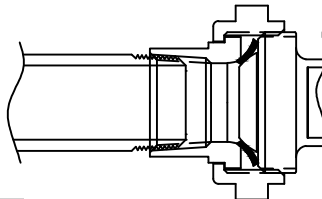


Male National Pipe Threads

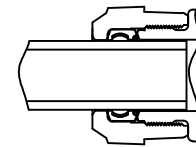


Flare

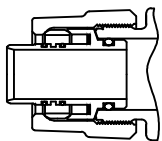
DUAL PURPOSE



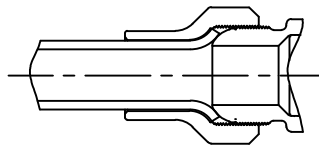
Female National Pipe



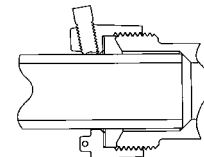
H Compression
- Tighten to Stop



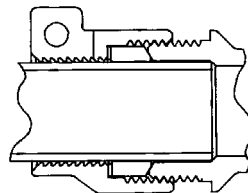
K - Kitec - Tighten to Stop



C Flare



IP Compression



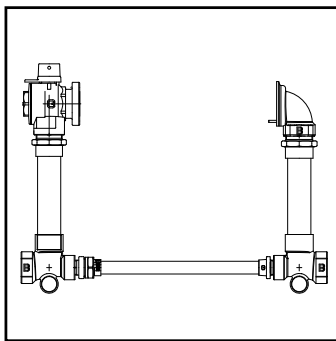
B, PE, PJ
Compression

5/8", 5/8" x 3/4", 3/4", 1", 1 1/2", & 2" | Horizontal and Vertical Inlet / Outlet | Tandems - Series 6010, 6011, 6020, 6022, 6030, 6031, 6032, 6035, 6040, 6050 6060, 6065

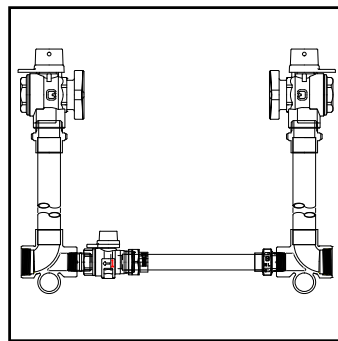
- Brass materials meet or exceed AWWA C-800 (latest revision)
- Copper tubing has a 13/16" O.D. for 5/8", 5/8" x 3/4" or 3/4" meter setters, 1 1/8" O.D. for 1" meter setters, 1 5/8" for 1 1/2" meter setters and 2 1/8" for 2" meter setters.
- Solder is no-lead.
- EPDM rubber gaskets are furnished as standard.
- All meter setters are factory tested air under water.
- Brass support bar is standard on 18" and higher meter setters.
- Lockwing style meter valves are standard.
- Meter swivel nuts with meter support saddle are standard
- For dual check backflow valves, see Dual Check Section.
- Brace eye hole accepts 1/2" iron pipe or PVC for 5/8", 5/8" x 3/4" and 3/4" meters and 1" vertical meter setters.
- Brace eye hole accepts 3/4" iron pipe for PVC or 1", horizontal meter setters.
- Brace eye hole accepts 1" iron pipe or PVC for 1 1/2" & 2", horizontal meter setters.

1 1/2" & 2" Meters

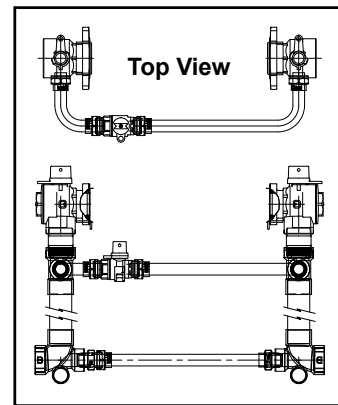
Standard spacing for 1 1/2" meter = 13 5/16". Standard spacing for 2" meter = 17 5/16" to allow for gaskets. Other meter lay lengths must be specified. Contact factory for: 360° turn valve, handle for ball valve, dielectric connections.



No Bypass (-)



Low Bypass (B)



Offset High Bypass (R)

Meter Size	1 1/2"	2"
Standard Lay Length	13"	17"

Features

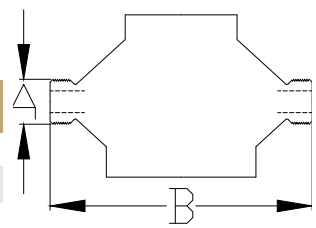
- All ball valves have lockwings.
- 1" copper cross tube is standard for no by-pass setters.
- 1" brace eyes are standard.
- 2" Meter flanges have slotted bolt holes to fit 1 1/2" or 2" meters.
- Two drop in flange gaskets furnished.
- Two meter support brackets furnished.
- Other vertical heights available, contact factory.
- All copper tubing is "K" weight.
- For special setting or resetting requirements, contact factory.

OPTIONS

- Insert stiffeners are required on all flexible plastic connections
- Not all combinations available, contact factory.

Meter Dimensions

Meter Size	3/4" Short Meter,						
	5/8"	5/8" x 3/4"	3/4"	3/4" x 1"	1"	1 1/2"	2"
A-Meter Threads	3/4"	1"	1"	1 1/4"	1 1/4"	Oval Flange	Oval Flange
B-Lay Length	7 1/2"	7 1/2"	9"	9"	10 3/4"	13"	17"



5/8", 5/8" x 3/4", 3/4", & 1" | Series 7010, 7011, 7020, 7025, 7030

Cambridge Brass is pleased to present its extensive line of copper meter insetters. These fine, high quality products offer the end user greater versatility due to the wide variety of end connections, heights, valve options, sizes, and special configurations.

Versatility. That's the theme of our complete and flexible line of copper meter insetters. It also describes our system of model numbers. If you have requirements that are not contained in this catalog, please contact our customer service department. Our professional staff will be happy to work with you to select the product that will fit your needs.



- All cast brass parts conform to latest revision of AWWA C800.
- Copper tubing has a 13/16" O.D. for 5/8", 5/8" x 3/4" or 3/4" meter setters and 1 1/8" O.D. for 1" meter setters.
- Solder is no-lead.
- NSF rubber gaskets are furnished as standard.
- All meter setters tested air under water.
- All meter swivel nuts have wire seal hole.
- Lockwing style meter valves are standard.
- For dual check backflow valves, see Single & Dual Check section.

Meter Setter Part Numbering

7010NL - 2 H 3 H 3

Series Number

Meter Size

Inlet Connection

Inlet Size

Outlet Connection

Outlet Option

3/4" = 3
1" = 4
1 1/2" = 6
2" = 7

3/4" = 3
1" = 4
1 1/2" = 6
2" = 7

Angle Plug = AP

R/Port = V

Full Port = U

Single Check = X

Dual Check = Q

No Valve = O

No Test Port on Check = QN or XN

7010NL- Cellar Setter
7011NL- Cellar Setter
7020NL- Corner Setters
7025NL- Available upon request
7030NL- Available upon request

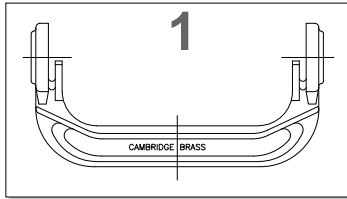
B = Campak
C = Copper Flare
D = Dual Purpose
F = Female Iron Pipe
GJ = Grip Joint
H = CB Compression
J = Haystite
K = Kitec
M = Male Iron Pipe
PE = Connection for PEP (SIDR 7) Size Pipe
PJ = Connection for PVC (IPS) Size Pipe
N = Meter Thread

Iron Yokes

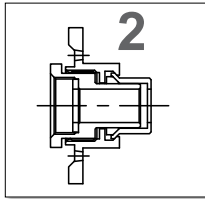
Yoke Bars | Angle & Straight Valves | Yoke Couplings | Angle Single Check Valves | Inline & Angle Dual Check Valves | U-Branch & Yoke

How to Order

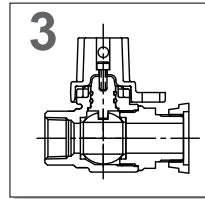
Be sure to order one of each to make up a complete assembly.



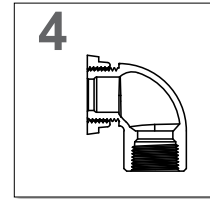
Cast Iron Yoke



Expansion Connection



Inlet Valve or Coupling "SR" outlet



Outlet Valve, Coupling, or Dual Check Valve "SR" inlet

Yokes Assemblies - SR Valves and Check Valves

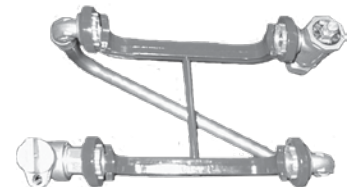
Single Settings



Dual Yoke Settings



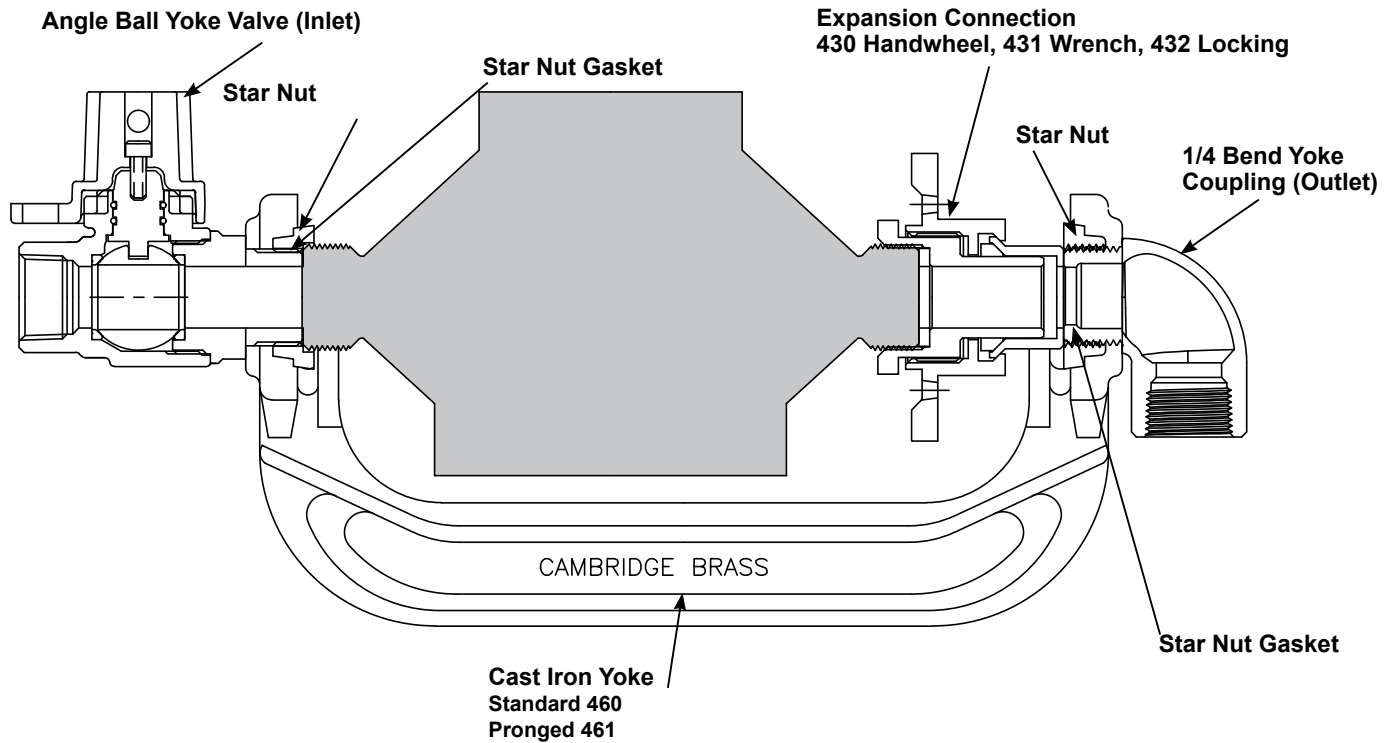
Tandem Yoke Settings



Yoke Bar Assembly Only with Tie Bar



General Information

**NOTES**

- All cast brass parts comply with latest revision of AWWA C800.
- Yoke bar material is ASTM A126 Class B cast iron.
- Meter gaskets are EPDM.
- Ball valves are rated at 300 PSIG water pressure - (See Meter Valve section).
- Plug valves are rated at 100 PSIG water pressure - (See Meter Valve section).
- Cast iron yoke is powder coated.
- Cast iron yoke has support lip to hold meter and expander during installation.
- Three piece brass expander has large tightening spokes and includes two star nut gaskets.



Corporation Stops

Part Number Format

Example: 1" Male Iron Pipe x CB Compression Ball Valve = 301NL - M 4 H 4

Series Number	Inlet Connection	Inlet Size	Outlet Connection	Outlet Size
301NL = Ball Style	A = AWWA	1 = 1/2"	H = CB Compression	1 = 1/2"
302NL = Plug Style	M = Male Iron Pipe	2 = 5/8"	B = Campak	2 = 5/8"
305NL = Corporation Replacement Adaptor		3 = 3/4"	J = Haystite	3 = 3/4"
306NL = Eight Bend Swivel Adaptor		4 = 1"	C = Copper Flare	4 = 1"
307NL = Quarter Bend Corporation Bend		5 = 1 1/4"	K = Kitec Compression	5 = 1 1/4"
311NL = Ball Style with T/Cap		6 = 1 1/2"	F = Female Iron Pipe	6 = 1 1/2"
361NL = Ball Style Open Right		7 = 2"	M = Male Iron Pipe	7 = 2"
			HE = CB Compression Elec. Tail	
			CE = Copper Flare Elec. Tail	
			KE = Kitec Elec. Tail	
			PE = PEP Campak	
			PJ = PVC Campak	
			GJ = Grip Joint	
			IP = Iron Pipe Compression	
			I = Insulated	
			ID = Inside Driving Thread	

Corporation Stops

Ball Style

Rated for 300 PSIG

Ball Valve Corporation Stops come standard with a 360° operating head and are designed for low turning torques and high pressures (300 PSIG). The no-lead brass ball is supported by two PTFE ball seats. Additionally there are two Buna-N o-rings on the stainless steel blow-out proof stem designed to isolate from line pressure. The end piece joint is permanently sealed with thread locker. The bubble-tight feature at 300 PSIG makes these valves a better choice than a plug valve when test or operating pressures over 100 PSIG are expected. All Cambridge Brass Ball Valve Corporation Stops are available with a wide variety of end connections and are manufactured to meet or exceed AWWA C800 (latest version) and NSF 61 & 372 standards, except where noted.

Series 301NL

AWWA x Campak Compression



Part Number	Inlet Size	Outlet Size	Wt. Each (lbs)	Box Qty	Price
301NL-A1B1	1/2"	1/2"	1.1	10	\$49.42
301NL-A1B2	1/2"	5/8"	1.1	10	\$49.42
301NL-A2B2	5/8"	5/8"	1.1	10	\$53.40
301NL-A3B3	3/4"	3/4"	1.8	10	\$79.04
301NL-A4B4	1"	1"	2.7	6	\$103.95
301NL-A5B5	1 1/4"	1 1/4"	7.5	2	\$164.74
301NL-A6B6	1 1/2"	1 1/2"	7.5	2	\$233.00
301NL-A6B7	1 1/2"	2"	8.8	2	\$283.48
301NL-A7B7	2"	2"	10.2	2	\$385.40

Series 301NL

AWWA x FIP



Part Number	Inlet Size	Outlet Size	Wt. Each (lbs)	Box Qty	Price
301NL-A3F3	3/4"	3/4"	1.7	15	\$64.94
301NL-A4F4	1"	1"	2.0	8	\$87.60
301NL-A5F5	1 1/4"	1 1/4"	5.8	2	\$214.11
301NL-A6F6	1 1/2"	1 1/2"	6.0	2	\$225.46
301NL-A7F7	2"	2"	8.7	2	\$364.64

Series 301NL

AWWA x Grip Joint



Part Number	Inlet Size	Outlet Size	Wt. Each (lbs)	Box Qty	Price
301NL-A3GJ3	3/4"	3/4"	1.7	15	\$79.04
301NL-A4GJ4	1"	1"	2.9	6	\$103.95

Series 301NL

AWWA x Copper Flare



Part Number	Inlet Size	Outlet Size	Wt. Each (lbs)	Box Qty	Price
301NL-A1C1	1/2"	1/2"	1.1	10	\$49.42
301NL-A3C3	3/4"	3/4"	1.9	10	\$76.69
301NL-A4C4	1"	1"	2.9	6	\$98.42
301NL-A5C5	1 1/4"	1 1/4"	8.4	2	\$222.60
301NL-A6C6	1 1/2"	1 1/2"	8.5	2	\$233.01
301NL-A7C7	2"	2"	12.8	2	\$407.03

Series 301NL

AWWA x CB Compression



Part Number	Inlet Size	Outlet Size	Wt. Each (lbs)	Box Qty	Price
301NL-A1H1	1/2"	1/2"	1.1	10	\$49.42
301NL-A1H2	1/2"	5/8"	1.1	10	\$49.42
301NL-A2H2	5/8"	5/8"	1.1	10	\$53.40
301NL-A3H3	3/4"	3/4"	1.6	15	\$79.04
301NL-A4H4	1"	1"	2.4	6	\$103.95
301NL-A5H5	1 1/4"	1 1/4"	8.2	2	\$222.60
301NL-A6H6	1 1/2"	1 1/2"	7.5	2	\$233.00
301NL-A6H7	1 1/2"	2"	8.4	2	\$283.48
301NL-A7H7	2"	2"	10.0	2	\$385.40

Series 301NL

AWWA x Copper Flare Electrical Connection



Part Number	Inlet Size	Outlet Size	Wt. Each (lbs)	Box Qty	Price
301NL-A3CE3	3/4"	3/4"	1.9	10	\$86.11
301NL-A4CE4	1"	1"	2.9	6	\$111.73

Pricing in U.S. funds.

- Insert stiffeners are required for all connections using plastic flexible pipe see page 51
- For corporation stops less nut add LN to the end of the part number

Ball Style

Rated for 300 PSIG

Ball Valve Corporation Stops come standard with a 360° operating head and are designed for low turning torques and high pressures (300 PSIG). The no-lead brass ball is supported by two PTFE ball seats. Additionally there are two Buna-N o-rings on the stainless steel blow-out proof stem designed to isolate from line pressure. The end piece joint is permanently sealed with thread locker. The bubble-tight feature at 300 PSIG makes these valves a better choice than a plug valve when test or operating pressures over 100 PSIG are expected. All Cambridge Brass Ball Valve Corporation Stops are available with a wide variety of end connections and are manufactured to meet or exceed AWWA C800 (latest version) and NSF 61 & 372 standards, except where noted.

Series 301NL

AWWA x CB Compression

Electrical Connection



Part Number	Inlet Size	Outlet Size	Wt. Each (lbs)	Box Qty	Price
301NL-A3HE3	3/4"	3/4"	2.0	10	\$84.28
301NL-A4HE4	1"	1"	3.0	6	\$110.64
301NL-A6HE6	1 1/2"	1 1/2"	8.0	2	\$250.16
301NL-A6HE7	1 1/2"	2"	8.2	2	\$301.98
301NL-A7HE7	2"	2"	11.2	2	\$406.21

Series 301NL

AWWA x CB Compression

Insulated



Part Number	Inlet Size	Outlet Size	Wt. Each (lbs)	Box Qty	Price
301NL-A3HI3	3/4"	3/4"	2.8	5	\$128.26
301NL-A4HI4	1"	1"	4.8	4	\$168.44
301NL-A6HI6	1 1/2"	1 1/2"	11.2	2	\$396.57
301NL-A7HI7	2"	2"	18.1	1	\$656.74

Series 301NL

AWWA x Internal Driving Thread



Part Number	Inlet Size	Outlet Size	Wt. Each (lbs)	Box Qty	Price
301NL-A3ID3	3/4"	3/4"	2.8	5	76.54
301NL-A4ID4	1"	1"	4.8	4	96.85
301NL-A6ID6	1 1/2"	1 1/2"	11.2	2	213.84
301NL-A7ID7	2"	2"	18.1	1	364.66

Series 301NL

AWWA x Haystite



Part Number	Inlet Size	Outlet Size	Wt. Each (lbs)	Box Qty	Price
301NL-A3J3	3/4"	3/4"	1.7	15	\$79.04
301NL-A4J4	1"	1"	2.7	6	\$103.95

Series 301NL

AWWA x Kitec



Part Number	Inlet Size	Outlet Size	Wt. Each (lbs)	Box Qty	Price
301NL-A3K3	3/4"	3/4"	1.9	10	\$101.27
301NL-A4K4	1"	1"	2.9	8	\$137.55

Series 301NL

AWWA x Kitec Electrical Connection



Part Number	Inlet Size	Outlet Size	Wt. Each (lbs)	Box Qty	Price
301NL-A3KE3	3/4"	3/4"	2.1	10	\$112.22
301NL-A4KE4	1"	1"	3.1	8	\$175.97

Series 301NL

AWWA x MIP



Part Number	Inlet Size	Outlet Size	Wt. Each (lbs)	Box Qty	Price
301NL-A1M1	1/2"	1/2"	0.80	10	\$40.56
301NL-A3M3	3/4"	3/4"	1.4	15	\$68.14
301NL-A3M4	3/4"	1"	2.0	12	\$85.53
301NL-A4M4	1"	1"	2.2	6	\$90.42
301NL-A5M5	1 1/4"	1 1/4"	6.4	2	\$203.60
301NL-A5M6	1 1/4"	1 1/2"	6.4	2	\$209.05
301NL-A6M6	1 1/2"	1 1/2"	6.4	2	\$213.84
301NL-A6M7	1 1/2"	2"	7.3	2	\$250.02
301NL-A7M7	2"	2"	9.3	2	\$364.66

- Insert stiffeners are required for all connections using plastic flexible pipe see page 51
- For corporation stops less nut add LN to the end of the part number

Pricing in U.S. funds.

Corporation Stops

Ball Style

Rated for 300 PSIG

Ball Valve Corporation Stops come standard with a 360° operating head and are designed for low turning torques and high pressures (300 PSIG). The no-lead brass ball is supported by two PTFE ball seats. Additionally there are two Buna-N o-rings on the stainless steel blow-out proof stem designed to isolate from line pressure. The end piece joint is permanently sealed with thread locker. The bubble-tight feature at 300 PSIG makes these valves a better choice than a plug valve when test or operating pressures over 100 PSIG are expected. All Cambridge Brass Ball Valve Corporation Stops are available with a wide variety of end connections and are manufactured to meet or exceed AWWA C800 (latest version) and NSF 61 & 372 standards, except where noted.

Series 301NL

AWWA x PEP Compression
(PE SIDR7)



Part Number	Inlet Size	Outlet Size	Wt. Each (lbs)	Box Qty	Price
301NL-A3PE3	3/4"	3/4"	2.5	10	\$97.10
301NL-A4PE4	1"	1"	3.1	6	\$119.46
301NL-A5PE5	1 1/4"	1 1/4"	7.0	2	\$262.04
301NL-A6PE6	1 1/2"	1 1/2"	7.5	2	\$283.49
301NL-A7PE7	2"	2"	9.5	2	\$407.03

Series 301NL

MIP x Copper Flare



Part Number	Inlet Size	Outlet Size	Wt. Each (lbs)	Box Qty	Price
301NL-M1C1	1/2"	1/2"	1.8	20	\$49.42
301NL-M3C3	3/4"	3/4"	1.8	10	\$76.69
301NL-M4C4	1"	1"	2.8	6	\$98.42
301NL-M5C5	1 1/4"	1 1/4"	8.4	2	\$222.60
301NL-M6C6	1 1/2"	1 1/2"	8.4	2	\$233.01
301NL-M7C7	2"	2"	12.4	1	\$407.03

Series 301NL

AWWA x PVC Compression (IPS)



Part Number	Inlet Size	Outlet Size	Wt. Each (lbs)	Box Qty	Price
301NL-A3PJ3	3/4"	3/4"	2.5	10	\$97.10
301NL-A4PJ4	1"	1"	3.1	6	\$119.46
301NL-A5PJ5	1 1/4"	1 1/4"	7.0	2	\$262.04
301NL-A6PJ6	1 1/2"	1 1/2"	7.5	2	\$283.49
301NL-A7PJ7	2"	2"	9.5	2	\$407.03

Series 301NL

MIP x Copper Flare
Electrical Connection

Part Number	Inlet Size	Outlet Size	Wt. Each (lbs)	Box Qty	Price
301NL-M3CE3	3/4"	3/4"	1.7	10	\$86.11
301NL-M4CE4	1"	1"	2.7	6	\$111.73

Series 301NL

MIP x Campak Compression



Part Number	Inlet Size	Outlet Size	Wt. Each (lbs)	Box Qty	Price
301NL-M3B3	3/4"	3/4"	1.7	10	\$79.04
301NL-M4B4	1"	1"	2.7	10	\$103.95
301NL-M5B5	1 1/4"	1 1/4"	7.6	10	\$164.74
301NL-M6B6	1 1/2"	1 1/2"	7.6	15	\$233.00
301NL-M6B7	1 1/2"	2"	8.8	6	\$283.48
301NL-M7B7	2"	2"	10.0	2	\$385.40

Series 301NL

MIP x FIP



Part Number	Inlet Size	Outlet Size	Wt. Each (lbs)	Box Qty	Price
301NL-M3F3	3/4"	3/4"	1.3	15	\$64.94
301NL-M4F4	1"	1"	1.9	10	\$87.60
301NL-M5F5	1 1/4"	1 1/4"	5.8	2	\$214.11
301NL-M5F6	1 1/4"	1 1/2"	5.8	2	\$214.11
301NL-M6F6	1 1/2"	1 1/2"	5.8	2	\$225.46
301NL-M7F7	2"	2"	10.0	2	\$364.64

Pricing in U.S. funds.

- Insert stiffeners are required for all connections using plastic flexible pipe see page 51
- For corporation stops less nut add LN to the end of the part number

Ball Style

Rated for 300 PSIG

Ball Valve Corporation Stops come standard with a 360° operating head and are designed for low turning torques and high pressures (300 PSIG). The no-lead brass ball is supported by two PTFE ball seats. Additionally there are two Buna-N o-rings on the stainless steel blow-out proof stem designed to isolate from line pressure. The end piece joint is permanently sealed with thread locker. The bubble-tight feature at 300 PSIG makes these valves a better choice than a plug valve when test or operating pressures over 100 PSIG are expected. All Cambridge Brass Ball Valve Corporation Stops are available with a wide variety of end connections and are manufactured to meet or exceed AWWA C800 (latest version) and NSF 61 & 372 standards, except where noted.

Series 301NL

MIP x Grip Joint



Part Number	Inlet Size	Outlet Size	Wt. Each (lbs)	Box Qty	Price
301NL-M3GJ3	3/4"	3/4"	1.7	15	\$79.04
301NL-M4GJ4	1"	1"	2.9	6	\$103.95

Series 301NL

MIP x CB Compression



Part Number	Inlet Size	Outlet Size	Wt. Each (lbs)	Box Qty	Price
301NL-M3H3	3/4"	3/4"	1.8	15	\$79.04
301NL-M4H4	1"	1"	2.7	6	\$103.95
301NL-M5H5	1 1/4"	1 1/4"	8.3	2	\$164.74
301NL-M6H6	1 1/2"	1 1/2"	7.2	2	\$233.00
301NL-M6H7	1 1/2"	2"	8.8	2	\$283.48
301NL-M7H7	2"	2"	9.4	2	\$385.40

Series 301NL

MIP x CB Compression
Electrical Connection



Part Number	Inlet Size	Outlet Size	Wt. Each (lbs)	Box Qty	Price
301NL-M3HE3	3/4"	3/4"	2.1	10	\$84.28
301NL-M4HE4	1"	1"	2.9	6	\$110.64
301NL-M6HE6	1 1/2"	1 1/2"	8.5	2	\$250.16
301NL-M6HE7	1 1/2"	2"	7.5	2	\$301.98
301NL-M7HE7	2"	2"	9.5	2	\$406.21

Series 301NL

MIP x Internal Driving Thread



Part Number	Inlet Size	Outlet Size	Wt. Each (lbs)	Box Qty	Price
301NL-M3ID3	3/4"	3/4"	1.8	10	\$76.54
301NL-M4ID4	1"	1"	2.4	6	\$96.85
301NL-M6ID6	1 1/2"	1 1/2"	7.2	2	\$213.84
301NL-M7ID7	2"	2"	9.4	2	\$364.66

Series 301NL

MIP x Haystite

Part Number	Inlet Size	Outlet Size	Wt. Each (lbs)	Box Qty	Price
301NL-M3J3	3/4"	3/4"	1.9	15	\$79.04
301NL-M4J4	1"	1"	2.7	6	\$103.95

Series 301NL

MIP x Kitec



Part Number	Inlet Size	Outlet Size	Wt. Each (lbs)	Box Qty	Price
301NL-M3K3	3/4"	3/4"	1.7	10	\$101.27
301NL-M4K4	1"	1"	2.7	8	\$137.55

Series 301NL

MIP x Kitec Electrical Connection



Part Number	Inlet Size	Outlet Size	Wt. Each (lbs)	Box Qty	Price
301NL-M3KE3	3/4"	3/4"	1.9	10	\$112.22
301NL-M4KE4	1"	1"	2.7	6	\$175.97

- Insert stiffeners are required for all connections using plastic flexible pipe see page 51
- For corporation stops less nut add LN to the end of the part number

Pricing in U.S. funds.

Corporation Stops

Ball Style

Rated for 300 PSIG

Ball Valve Corporation Stops come standard with a 360° operating head and are designed for low turning torques and high pressures (300 PSIG). The no-lead brass ball is supported by two PTFE ball seats. Additionally there are two Buna-N o-rings on the stainless steel blow-out proof stem designed to isolate from line pressure. The end piece joint is permanently sealed with thread locker. The bubble-tight feature at 300 PSIG makes these valves a better choice than a plug valve when test or operating pressures over 100 PSIG are expected. All Cambridge Brass Ball Valve Corporation Stops are available with a wide variety of end connections and are manufactured to meet or exceed AWWA C800 (latest version) and NSF 61 & 372 standards, except where noted.

Series 301NL

MIP x MIP



Part Number	Inlet Size	Outlet Size	Wt. Each (lbs)	Box Qty	Price
301NL-M3M3	3/4"	3/4"	1.4	10	\$68.14
301NL-M4M4	1"	1"	1.5	6	\$90.42
301NL-M5M5	1 1/4"	1 1/4"	6.2	2	\$175.61
301NL-M6M6	1 1/2"	1 1/2"	6.3	2	\$213.84
301NL-M6M7	1 1/2"	2"	7.7	2	\$250.02
301NL-M7M7	2"	2"	8.8	2	\$364.66

Series 301NL

MIP x PEP Compression
(PE SIDR7)



Part Number	Inlet Size	Outlet Size	Wt. Each (lbs)	Box Qty	Price
301NL-M3PE3	3/4"	3/4"	2.5	10	\$97.10
301NL-M4PE4	1"	1"	3.1	6	\$119.46
301NL-M5PE5	1 1/4"	1 1/4"	7.0	2	\$264.02
301NL-M6PE6	1 1/2"	1 1/2"	7.5	2	\$283.49
301NL-M7PE7	2"	2"	9.5	2	\$407.03

Series 301NL

MIP x PVC Compression (IPS)



Part Number	Inlet Size	Outlet Size	Wt. Each (lbs)	Box Qty	Price
301NL-M3PJ3	3/4"	3/4"	2.5	10	\$97.10
301NL-M4PJ4	1"	1"	3.1	6	\$119.46
301NL-M5PJ5	1 1/4"	1 1/4"	7.0	2	\$262.04
301NL-M6PJ6	1 1/2"	1 1/2"	7.5	2	\$283.49
301NL-M7PJ7	2"	2"	9.5	2	\$407.03

Pricing in U.S. funds.

- Insert stiffeners are required for all connections using plastic flexible pipe see page 51
- For corporation stops less nut add LN to the end of the part number

Ball Style - Tee Head

Rated for 300 PSIG

Ball Valve Corporation Stops come standard with a 360° operating head and are designed for low turning torques and high pressures (300 PSIG). The no-lead brass ball is supported by two PTFE ball seats. Additionally there are two Buna-N o-rings on the stainless steel blow-out proof stem designed to isolate from line pressure. The end piece joint is permanently sealed with thread locker. The bubble-tight feature at 300 PSIG makes these valves a better choice than a plug valve when test or operating pressures over 100 PSIG are expected. All Cambridge Brass Ball Valve Corporation Stops are available with a wide variety of end connections and are manufactured to meet or exceed AWWA C800 (latest version) and NSF 61 & 372 standards, except where noted.



Series 311NL

AWWA x Campak Compression

Part Number	Inlet Size	Outlet Size	Wt. Each (lbs)	Box Qty	Price
311NL-A3B3	3/4"	3/4"	2.3	10	\$101.24
311NL-A4B4	1"	1"	3.5	6	\$126.17
311NL-A5B5	1 1/4"	1 1/4"	8.1	2	\$246.70
311NL-A6B6	1 1/2"	1 1/2"	8.3	2	\$257.32
311NL-A6B7	1 1/2"	2"	9.6	2	\$290.55
311NL-A7B7	2"	2"	11.0	2	\$409.59

Series 311NL

AWWA x Grip Joint

Part Number	Inlet Size	Outlet Size	Wt. Each (lbs)	Box Qty	Price
311NL-A3GJ3	3/4"	3/4"	2.5	10	\$101.24
311NL-A4GJ4	1"	1"	3.7	6	\$126.17



Series 311NL

AWWA x Copper Flare

Part Number	Inlet Size	Outlet Size	Wt. Each (lbs)	Box Qty	Price
311NL-A3C3	3/4"	3/4"	2.7	10	\$98.87
311NL-A4C4	1"	1"	3.7	6	\$123.50
311NL-A6C6	1 1/2"	1 1/2"	9.3	2	\$257.32
311NL-A7C7	2"	2"	13.6	2	\$440.36



Series 311NL

AWWA x CB Compression

Part Number	Inlet Size	Outlet Size	Wt. Each (lbs)	Box Qty	Price
311NL-A3H3	3/4"	3/4"	2.3	10	\$101.24
311NL-A4H4	1"	1"	3.2	6	\$126.17
311NL-A5H5	1 1/4"	1 1/4"	9.0	2	\$246.70
311NL-A6H6	1 1/2"	1 1/2"	8.2	2	\$257.32
311NL-A6H7	1 1/2"	2"	9.2	2	\$290.55
311NL-A7H7	2"	2"	10.8	2	\$409.59



Series 311NL

AWWA x FIP

Part Number	Inlet Size	Outlet Size	Wt. Each (lbs)	Box Qty	Price
311NL-A3F3	3/4"	3/4"	2.5	10	\$87.15
311NL-A4F4	1"	1"	2.8	6	\$109.73
311NL-A6F6	1 1/2"	1 1/2"	6.8	2	\$249.72
311NL-A7F7	2"	2"	9.5	2	\$388.94



Series 311NL

AWWA x CB Electrical Connection

Part Number	Inlet Size	Outlet Size	Wt. Each (lbs)	Box Qty	Price
311NL-A3HE3	3/4"	3/4"	2.0	10	\$105.97
311NL-A4HE4	1"	1"	3.3	6	\$132.17
311NL-A6HE6	1 1/2"	1 1/2"	8.6	2	\$272.62
311NL-A7HE7	2"	2"	11.7	2	\$428.10

- Insert stiffeners are required for all connections using plastic flexible pipe see page 51
- For corporation stops less nut add LN to the end of the part number

Pricing in U.S. funds.

Corporation Stops

Ball Style - Tee Head

Rated for 300 PSIG

Ball Valve Corporation Stops come standard with a 360° operating head and are designed for low turning torques and high pressures (300 PSIG). The no-lead brass ball is supported by two PTFE ball seats. Additionally there are two Buna-N o-rings on the stainless steel blow-out proof stem designed to isolate from line pressure. The end piece joint is permanently sealed with thread locker. The bubble-tight feature at 300 PSIG makes these valves a better choice than a plug valve when test or operating pressures over 100 PSIG are expected. All Cambridge Brass Ball Valve Corporation Stops are available with a wide variety of end connections and are manufactured to meet or exceed AWWA C800 (latest version) and NSF 61 & 372 standards, except where noted.

Series 311NL

AWWA x Haystite

Part Number	Inlet Size	Outlet Size	Wt. Each (lbs)	Box Qty	Price
311NL-A3J3	3/4"	3/4"	2.5	10	\$101.24
311NL-A4J4	1"	1"	3.5	6	\$126.17



Series 311NL

AWWA x Kitec

Part Number	Inlet Size	Outlet Size	Wt. Each (lbs)	Box Qty	Price
311NL-A3K3	3/4"	3/4"	2.7	10	\$123.06
311NL-A4K4	1"	1"	3.7	6	\$156.21



Series 311NL

AWWA x MIP

Part Number	Inlet Size	Outlet Size	Wt. Each (lbs)	Box Qty	Price
311NL-A3M3	3/4"	3/4"	1.9	10	\$90.37
311NL-A4M4	1"	1"	3.0	6	\$112.59
311NL-A6M6	1 1/2"	1 1/2"	7.2	2	\$238.10
311NL-A7M7	2"	2"	10.1	2	\$388.93

Series 361NL

AWWA x CB Compression Open Right

Part Number	Inlet Size	Outlet Size	Wt. Each (lbs)	Box Qty	Price
361NL-A3H3	3/4"	3/4"	1.6	15	\$101.25
361NL-A4H4	1"	1"	2.4	6	\$126.20
361NL-A5H5	1 1/4"	1 1/4"	8.2	2	\$246.70
361NL-A6H6	1 1/2"	1 1/2"	7.5	2	\$257.32
361NL-A6H7	1 1/2"	2"	8.4	2	\$307.78
361NL-A7H7	2"	2"	10.0	2	\$409.58



Series 311NL

MIP x Campak Compression

Part Number	Inlet Size	Outlet Size	Wt. Each (lbs)	Box Qty	Price
311NL-M3B3	3/4"	3/4"	2.5	10	\$101.24
311NL-M4B4	1"	1"	3.5	6	\$126.17
311NL-M5B5	1 1/4"	1 1/4"	8.1	2	\$246.70
311NL-M6B6	1 1/2"	1 1/2"	8.4	2	\$257.32
311NL-M6B7	1 1/2"	2"	9.6	2	\$290.55
311NL-M7B7	2"	2"	10.8	2	\$409.59

Series 311NL

MIP x Copper Flare

Part Number	Inlet Size	Outlet Size	Wt. Each (lbs)	Box Qty	Price
311NL-M3C3	3/4"	3/4"	2.6	10	\$98.87
311NL-M4C4	1"	1"	3.1	6	\$123.50
311NL-M6C6	1 1/2"	1 1/2"	9.2	2	\$257.32
311NL-M7C7	2"	2"	13.2	2	\$440.36



Pricing in U.S. funds.

- Insert stiffeners are required for all connections using plastic flexible pipe see page 51
- For corporation stops less nut add LN to the end of the part number

Ball Style - Tee Head

Rated for 300 PSIG

Ball Valve Corporation Stops come standard with a 360° operating head and are designed for low turning torques and high pressures (300 PSIG). The no-lead brass ball is supported by two PTFE ball seats. Additionally there are two Buna-N o-rings on the stainless steel blow-out proof stem designed to isolate from line pressure. The end piece joint is permanently sealed with thread locker. The bubble-tight feature at 300 PSIG makes these valves a better choice than a plug valve when test or operating pressures over 100 PSIG are expected. All Cambridge Brass Ball Valve Corporation Stops are available with a wide variety of end connections and are manufactured to meet or exceed AWWA C800 (latest version) and NSF 61 & 372 standards, except where noted.

Series 311NL

MIP x FIP



Part Number	Inlet Size	Outlet Size	Wt. Each (lbs)	Box Qty	Price
311NL-M3F3	3/4"	3/4"	1.6	10	\$87.15
311NL-M4F4	1"	1"	2.7	6	\$109.73
311NL-M6F6	1 1/2"	1 1/2"	6.4	2	\$249.72
311NL-M7F7	2"	2"	9.0	2	\$388.94

Series 311NL

MIP x Grip Joint

Part Number	Inlet Size	Outlet Size	Wt. Each (lbs)	Box Qty	Price
311NL-M3GJ3	3/4"	3/4"	2.5	10	\$101.24
311NL-M4GJ4	1"	1"	3.5	6	\$126.17

Series 311NL

MIP x CB Compression



Part Number	Inlet Size	Outlet Size	Wt. Each (lbs)	Box Qty	Price
311NL-M3H3	3/4"	3/4"	2.6	10	\$101.24
311NL-M4H4	1"	1"	3.5	6	\$126.17
311NL-M5H5	1 1/4"	1 1/4"	9.0	2	\$246.70
311NL-M6H6	1 1/2"	1 1/2"	7.9	2	\$257.32
311NL-M6H7	1 1/2"	2"	9.6	2	\$290.55
311NL-M7H7	2"	2"	10.8	2	\$409.59

Series 311NL

MIP x Haystite

Part Number	Inlet Size	Outlet Size	Wt. Each (lbs)	Box Qty	Price
311NL-M3J3	3/4"	3/4"	2.7	10	\$101.24
311NL-M4J4	1"	1"	3.5	6	\$126.17

Series 311NL

MIP x Kitec



Part Number	Inlet Size	Outlet Size	Wt. Each (lbs)	Box Qty	Price
311NL-M3K3	3/4"	3/4"	2.5	10	\$123.06
311NL-M4K4	1"	1"	3.5	6	\$156.21

Series 311NL

MIP x MIP



Part Number	Inlet Size	Outlet Size	Wt. Each (lbs)	Box Qty	Price
311NL-M3M3	3/4"	3/4"	2.2	10	\$90.37
311NL-M4M4	1"	1"	2.5	6	\$112.59
311NL-M6M6	1 1/2"	1 1/2"	7.2	2	\$238.10
311NL-M7M7	2"	2"	9.6	2	\$388.93

Series 316NL

MIP x CB Compression Open Right

Part Number	Inlet Size	Outlet Size	Wt. Each (lbs)	Box Qty	Price
361NL-M3H3	3/4"	3/4"	1.6	15	\$101.25
361NL-M4H4	1"	1"	2.4	6	\$126.20
361NL-M5H5	1 1/4"	1 1/4"	8.2	2	\$246.70
361NL-M6H6	1 1/2"	1 1/2"	7.5	2	\$257.32
361NL-M6H7	1 1/2"	2"	8.4	2	\$307.78
361NL-M7H7	2"	2"	10.0	2	\$409.58

- Insert stiffeners are required for all connections using plastic flexible pipe see page 51
- For corporation stops less nut add LN to the end of the part number

Pricing in U.S. funds.

Corporation Stops

Plug Style

Rated for 100 PSIG

Plug Valve Corporation Stops are precision machined to assure a perfect match between the plug and the body. This same machining precision carries over to the threads to assure Cambridge Brass' high quality. Corporation stops come standard with a 360° operating head. Use only smooth jawed wrenches on corporation stop bodies and position the wrench only on the flats provided on the bodies. Also position your wrench as close as possible to the threads being tightened to avoid excessive strain or bending moment on the body. Pressure ratings are: 100 PSIG for 3/4" and 1". For applications over 1", Cambridge Brass recommends the use of Ball Valves.

Series 302NL

AWWA x Campak Compression



Part Number	Inlet Size	Outlet Size	Wt. Each (lbs)	Box Qty	List Price
302NL-A3B3	3/4"	3/4"	1.7	12	\$53.44
302NL-A3B4	3/4"	1"	2.2	10	\$67.98
302NL-A4B4	1"	1"	2.8	6	\$80.83

Series 302NL

AWWA x Grip Joint



Part Number	Inlet Size	Outlet Size	Wt. Each (lbs)	Box Qty	List Price
302NL-A3GJ3	3/4"	3/4"	1.7	12	\$53.44
302NL-A3GJ4	3/4"	1"	3.0	10	\$67.98
302NL-A4GJ3	1"	1"	3.0	6	\$80.83

Series 302NL

AWWA x Copper Flare



Part Number	Inlet Size	Outlet Size	Wt. Each (lbs)	Box Qty	List Price
302NL-A1C1	1/2"	1/2"	1.6	12	\$37.16
302NL-A2C2	5/8"	5/8"	1.6	10	\$50.28
302NL-A2C3	5/8"	3/4"	1.0	10	\$47.60
302NL-A3C3	3/4"	3/4"	1.8	10	\$49.70
302NL-A4C4	1"	1"	3.0	5	\$75.96

Series 302NL

AWWA x CB Compression



Part Number	Inlet Size	Outlet Size	Wt. Each (lbs)	Box Qty	List Price
302NL-A3H3	3/4"	3/4"	1.7	12	\$53.44
302NL-A3H4	3/4"	1"	2.2	10	\$67.98
302NL-A4H4	1"	1"	2.9	6	\$80.83

Series 302NL

AWWA x Copper Flare Electrical



Part Number	Inlet Size	Outlet Size	Wt. Each (lbs)	Box Qty	List Price
302NL-A3CE3	3/4"	3/4"	1.8	10	\$59.30
302NL-A4CE4	1"	1"	3.0	5	\$89.69

Series 302NL

AWWA x CB Compression Insulated



Part Number	Inlet Size	Outlet Size	Wt. Each (lbs)	Box Qty	List Price
302NL-A3HI3	3/4"	3/4"	2.2	5	\$90.76
302NL-A4HI4	1"	1"	2.9	6	\$135.08

Series 302NL

AWWA x FIP



Part Number	Inlet Size	Outlet Size	Wt. Each (lbs)	Box Qty	List Price
302NL-A1F1	1/2"	1/2"	0.9	25	\$54.74
302NL-A3F3	3/4"	3/4"	1.4	15	\$53.44
302NL-A4F4	1"	1"	2.5	8	\$79.62

Series 302NL

AWWA x CB Compression Electrical Connection



Part Number	Inlet Size	Outlet Size	Wt. Each (lbs)	Box Qty	List Price
302NL-A3HE3	3/4"	3/4"	3/4"	10	\$59.45
302NL-A3HE4	3/4"	3/4"	3/4"	10	\$74.70
302NL-A4HE4	1"	1"	1"	6	\$88.78

Pricing in U.S. funds.

- Insert stiffeners are required for all connections using plastic flexible pipe see page 51
- For corporation stops less nut add LN to the end of the part number

Plug Style

Rated for 100 PSIG

Plug Valve Corporation Stops are precision machined to assure a perfect match between the plug and the body. This same machining precision carries over to the threads to assure Cambridge Brass' high quality. Corporation stops come standard with a 360° operating head. Use only smooth jawed wrenches on corporation stop bodies and position the wrench only on the flats provided on the bodies. Also position your wrench as close as possible to the threads being tightened to avoid excessive strain or bending moment on the body. Pressure ratings are: 100 PSIG for 3/4" and 1". For applications over 1", Cambridge Brass recommends the use of Ball Valves.

Series 302NL AWWA x Haystite



Part Number	Inlet Size	Outlet Size	Wt. Each (lbs)	Box Qty	List Price
302NL-A3J3	3/4"	3/4"	1.7	12	\$53.44
302NL-A3J4	3/4"	1"	2.2	10	\$67.98
302NL-A4J4	1"	1"	2.9	6	\$80.83

Series 302NL AWWA x PEP Compression (PE SIDR7)



Part Number	Inlet Size	Outlet Size	Wt. Each (lbs)	Box Qty	List Price
302NL-A3PE3	3/4"	3/4"	2.8	10	\$66.32

Series 302NL AWWA x Kitec



Part Number	Inlet Size	Outlet Size	Wt. Each (lbs)	Box Qty	List Price
302NL-A3K3	3/4"	3/4"	1.8	10	\$75.68
302NL-A3K4	3/4"	3/4"	2.2	10	\$101.63
302NL-A4K4	1"	1"	3.0	6	\$114.43

Series 302NL AWWA x PVC Compression (IPS)



Part Number	Inlet Size	Outlet Size	Wt. Each (lbs)	Box Qty	List Price
302NL-A3PJ3	3/4"	3/4"	2.8	10	\$66.32

Series 302NL AWWA x Kitec Electrical Connection

Part Number	Inlet Size	Outlet Size	Wt. Each (lbs)	Box Qty	List Price
302NL-A3KE3	3/4"	3/4"	2.1	10	\$93.65
302NL-A3KE4	3/4"	1"	2.3	10	\$113.33
302NL-A4KE4	1"	1"	3.1	6	\$149.94

Series 302NL MIP x Campak Compression



Part Number	Inlet Size	Outlet Size	Wt. Each (lbs)	Box Qty	List Price
302NL-M3B3	3/4"	3/4"	1.6	12	\$53.44
302NL-M3B4	3/4"	1"	2.2	10	\$67.98
302NL-M4B4	1"	1"	2.8	6	\$80.83

Series 302NL AWWA x MIP



Part Number	Inlet Size	Outlet Size	Wt. Each (lbs)	Box Qty	List Price
302NL-A3M3	3/4"	3/4"	1.4	12	\$46.97
302NL-A4M4	1"	1"	2.2	8	\$71.00

Series 302NL MIP x Copper Flare



Part Number	Inlet Size	Outlet Size	Wt. Each (lbs)	Box Qty	List Price
302NL-M1C1	1/2"	1/2"	1.6	12	\$37.16
302NL-M3C3	3/4"	3/4"	1.7	10	\$49.70
302NL-M4C4	1"	1"	3.0	5	\$75.96

- Insert stiffeners are required for all connections using plastic flexible pipe see page 51
- For corporation stops less nut add LN to the end of the part number

Pricing in U.S. funds.

Corporation Stops

Plug Style

Rated for 100 PSIG

Plug Valve Corporation Stops are precision machined to assure a perfect match between the plug and the body. This same machining precision carries over to the threads to assure Cambridge Brass' high quality. Corporation stops come standard with a 360° operating head. Use only smooth jawed wrenches on corporation stop bodies and position the wrench only on the flats provided on the bodies. Also position your wrench as close as possible to the threads being tightened to avoid excessive strain or bending moment on the body. Pressure ratings are: 100 PSIG for 3/4" and 1". For applications over 1", Cambridge Brass recommends the use of Ball Valves.

Series 302NL

MIP x Copper Flare Electrical

Part Number	Inlet Size	Outlet Size	Wt. Each (lbs)	Box Qty	List Price
302NL-M3CE3	3/4"	3/4"	1.9	10	\$59.30
302NL-M4CE4	1"	1"	2.7	5	\$89.69



Series 302NL

MIP x CB Compression Insulated

Part Number	Inlet Size	Outlet Size	Wt. Each (lbs)	Box Qty	List Price
302NL-M3HI3	3/4"	3/4"	2.2	5	\$90.76
302NL-M4HI4	1"	1"	2.9	6	\$135.08



Series 302NL

MIP x FIP

Part Number	Inlet Size	Outlet Size	Wt. Each (lbs)	Box Qty	List Price
302NL-M1F1	1/2"	1/2"	0.9	25	\$54.74
302NL-M3F3	3/4"	3/4"	1.3	15	\$53.44
302NL-M4F4	1"	1"	2.3	8	\$79.62

Series 302NL

MIP x CB Compression Electrical

Part Number	Inlet Size	Outlet Size	Wt. Each (lbs)	Box Qty	List Price
302NL-M3HE3	3/4"	3/4"	0.9	12	\$59.45
302NL-M3HE4	3/4"	1"	1.8	10	\$74.70
302NL-M4HE4	1"	1"	2.8	6	\$88.78

Series 302NL

MIP x CB Compression

Part Number	Inlet Size	Outlet Size	Wt. Each (lbs)	Box Qty	List Price
302NL-M3H3	3/4"	3/4"	1.7	12	\$53.44
302NL-M3H4	3/4"	1"	2.2	10	\$67.98
302NL-M4H4	1"	1"	2.8	6	\$80.83



Series 302NL

MIP x Haystite

Part Number	Inlet Size	Outlet Size	Wt. Each (lbs)	Box Qty	List Price
302NL-M3J3	3/4"	3/4"	0.9	12	\$53.44
302NL-M3J4	3/4"	1"	1.7	15	\$67.98
302NL-M4J4	1"	1"	2.5	6	\$80.83



Series 302NL

MIP x Grip Joint

Part Number	Inlet Size	Outlet Size	Wt. Each (lbs)	Box Qty	List Price
302NL-M3GJ3	3/4"	3/4"	1.6	12	\$53.44
302NL-M3GJ4	3/4"	1"	2.2	10	\$67.98
302NL-M4GJ4	1"	1"	2.8	6	\$91.73



Series 302NL

MIP x Kitec

Part Number	Inlet Size	Outlet Size	Wt. Each (lbs)	Box Qty	List Price
302NL-M3K3	3/4"	3/4"	1.9	10	\$75.68
302NL-M3K4	3/4"	1"	2.2	10	\$101.63
302NL-M4K4	1"	1"	2.6	6	\$114.43



Pricing in U.S. funds.

- Insert stiffeners are required for all connections using plastic flexible pipe see page 51
- For corporation stops less nut add LN to the end of the part number

Plug Style

Rated for 100 PSIG

Plug Valve Corporation Stops are precision machined to assure a perfect match between the plug and the body. This same machining precision carries over to the threads to assure Cambridge Brass' high quality. Corporation stops come standard with a 360° operating head. Use only smooth jawed wrenches on corporation stop bodies and position the wrench only on the flats provided on the bodies. Also position your wrench as close as possible to the threads being tightened to avoid excessive strain or bending moment on the body. Pressure ratings are: 100 PSIG for 3/4" and 1". For applications over 1", Cambridge Brass recommends the use of Ball Valves.

Series 302NL

MIP x Kitec Electrical



Part Number	Inlet Size	Outlet Size	Wt. Each (lbs)	Box Qty	List Price
302NL-M3KE3	3/4"	3/4"	1.9	12	\$93.65
302NL-M3KE4	3/4"	1"	2.2	10	\$113.03
302NL-M4KE4	1"	1"	2.6	6	\$149.94

Series 302NL

MIP x MIP



Part Number	Inlet Size	Outlet Size	Wt. Each (lbs)	Box Qty	List Price
302NL-M3M3	3/4"	3/4"	1.3	12	\$46.97
302NL-M4M4	1"	1"	2.3	8	\$71.00

Series 302NL

MIP x PEP Compression (PE SIDR7)



Part Number	Inlet Size	Outlet Size	Wt. Each (lbs)	Box Qty	List Price
302NL-M3PE3	3/4"	3/4"	2.9	12	\$66.32

Series 302NL

MIP x PVC Compression (IPS)



Part Number	Inlet Size	Outlet Size	Wt. Each (lbs)	Box Qty	List Price
302NL-M3PJ3	3/4"	3/4"	2.9	12	\$66.32

- Insert stiffeners are required for all connections using plastic flexible pipe see page 51
- For corporation stops less nut add LN to the end of the part number

Pricing in U.S. funds.

Accessories

For use with corporation stops, both ball and plug style to suit applications, adaptors are manufactured to meet or exceed AWWA C800 (latest version) and NSF 61 & 372 standards, except where noted.

Adaptors

Series 305NL

AWWA x Campak Compression



Part Number	Inlet Size	Outlet Size	Wt. Each (lbs)	Box Qty	Price
305NL-A3B3	3/4"	3/4"	0.7	25	\$31.94
305NL-A4B4	1"	1"	1.0	15	\$52.63

Series 305NL

AWWA x CB Compression



Part Number	Inlet Size	Outlet Size	Wt. Each (lbs)	Box Qty	Price
305NL-A3H3	3/4"	3/4"	0.7	25	\$31.94
305NL-A4H4	1"	1"	1.2	16	\$52.63

1/8" Bend Corporation Stop Couplings

Series 306NL

Female Copper Flare x Copper Flare (Swivel)



Part Number	Inlet Size	Outlet Size	Wt. Each (lbs)	Box Qty	Price
306NL-P4C4	1"	1"	2.1	8	\$53.15
306NL-P6C6	1 1/2"	1 1/2"	6.2	6	\$240.84
306NL-P7C7	2"	2"	9.3	4	\$340.91

1/4" Bend Corporation Stop Couplings

Series 307NL

Female Copper Flare x Copper Flare (Swivel)



Part Number	Inlet Size	Outlet Size	Wt. Each (lbs)	Box Qty	Price
307NL-NY3M3	3/4"	3/4"	0.75	50	\$44.88
307NL-NY4M4	1"	1"	1.0	30	\$53.70
307NL-NY6M6	1 1/2"	1 1/2"	2.2	6	\$93.09
307NL-NY7M7	2"	2"	2.9	4	\$137.81

Square Head Tapping Plug

Series 98NL

AWWA Thread



Part Number	Inlet Size	Wt. Each (lbs)	Box Qty	Price
98NL-A1	1/2"	0.22	100	\$25.51
98NL-A2	5/8"	0.30	50	\$25.88
98NL-A3	3/4"	0.38	50	\$12.57
98NL-A4	1"	0.50	50	\$18.29
98NL-A6	1 1/2"	1.2	20	\$41.02
98NL-A7	2"	1.6	10	\$53.17

Pricing in U.S. funds.

- Insert stiffeners are required for all connections using plastic flexible pipe see page 51
- For corporation stops less nut add LN to the end of the part number

Accessories

For use with corporation stops, both ball and plug style to suit applications, adaptors are manufactured to meet or exceed AWWA C800 (latest version) and NSF 61 & 372 standards, except where noted.

Series 84

Inserts for IPS Size Plastic Pipe SDR-17



Part Number	Pipe Size	Wt. Each (lbs)	Box Qty	Price
84-5	1 1/4"	0.07	25	\$5.43
84-6	1 1/2"	0.11	25	\$5.91
84-7	2"	0.12	25	\$6.51

Series 88

Inserts for IPS Size Plastic Pipe SDR-9



Part Number	Pipe Size	Wt. Each (lbs)	Box Qty	Price
88-3	3/4"	0.03	50	\$2.32
88-4	1"	0.04	50	\$2.46
88-5	1 1/4"	0.07	25	\$4.95
88-6	1 1/2"	0.11	25	\$5.31
88-7	2"	0.12	25	\$6.00

Series 86

Inserts for CTS Size Plastic Pipe SDR-9



Part Number	Pipe Size	Wt. Each (lbs)	Box Qty	Price
86-3	3/4"	0.03	50	\$2.32
86-4	1"	0.04	50	\$2.46
86-5	1 1/4"	0.07	25	\$3.03
86-6	1 1/2"	0.11	25	\$3.39
86-7	2"	0.12	25	\$3.39

Series 89

Inserts for IPS Size Plastic Pipe SDR-11



Part Number	Pipe Size	Wt. Each (lbs)	Box Qty	Price
89-5	1 1/4"	0.07	25	\$4.95
89-6	1 1/2"	0.11	25	\$5.31
89-7	2"	0.12	25	\$6.00

Series 87

Inserts for PEP Size Plastic Pipe SIDR7 Only



Part Number	Pipe Size	Wt. Each (lbs)	Box Qty	Price
87-3	3/4"	0.03	50	\$2.63
87-4	1"	0.04	25	\$3.03
87-5	1 1/4"	0.07	25	\$4.50
87-6	1 1/2"	0.11	25	\$4.95
87-7	2"	0.12	25	\$5.42

• Insert stiffeners are required for all connections using plastic flexible pipe

Pricing in U.S. funds.



Part Number Format

Example: 1" CB x CB Compression Ball Curb Stop = 202NL - H 4 H 4

Series Number	Inlet Connection	Inlet Size	Outlet Connection	Outlet Size
32NL = Compression Stop and Drain	H = CB Compression	1 = 1/2"	H = CB Compression	1 = 1/2"
202NL = Curb Stop	B = Campak	2 = 5/8"	B = Campak	2 = 5/8"
203NL = Curb Stop with Drain	J = Haystite	3 = 3/4"	J = Haystite	3 = 3/4"
204NL = Reduced Port Curb Stop	C = Copper Flare	4 = 1"	C = Copper Flare	4 = 1"
252NL = Full Port Open Right	K = Kitec Compression	5 = 1 1/4"	K = Kitec Compression	5 = 1 1/4"
253NL = Full Port Open Right with Drain	F = Female Iron Pipe	6 = 1 1/2"	F = Female Iron Pipe	6 = 1 1/2"
262NL = Ball Valves Minneapolis Pattern	PE = PEP Campak	7 = 2"	T = Swivel Nut	7 = 2"
272NL = Double Curbstops	PJ = PVC Campak		HE = CB Compression Elec. Tail	
273NL = Double Curbstops with Drain	GJ = Grip Joint		CE = Copper Flare Elec. Tail	
	HE = CB Comp. Elec. Tail		MF = Meter Flange	
	CE = Copper Flare Elec. Tail		PE = PEP Campak	
	KE = Kitec Elec. Tail		PJ = PVC Campak	
	IP = Iron Pipe Connection		GJ = Grip Joint	
			IP = Iron Pipe Compression	
			SR = Yoke Connection	

Curb Stops

Ball Valves - Full Port

Rated for 300 PSIG

Ball Valve Curb Stops come standard with a 90° operating head and are designed for low turning torques and high pressures (300 PSIG). The no-lead brass ball is supported by two PTFE ball seats. Additionally there are two Buna-N o-rings on the stainless steel blow-out proof stem designed to isolate from line pressure. The end piece joint is permanently sealed with thread locker. The bubble-tight feature at 300 PSIG makes these valves a better choice than a plug valve when test or operating pressures over 100 PSIG are expected. All Cambridge Brass Ball Valve Curb Stops are available with a wide variety of end connections and are manufactured to meet or exceed AWWA C800 (latest version) and NSF 61 & 372 standards, except where noted.

Series 202NL

Campak x Campak Compression



Part Number	Inlet Size	Outlet Size	Wt. Each (lbs)	Box Qty	Price
202NL-B1B1	1/2"	1/2"	2.5	5	\$97.67
202NL-B2B2	5/8"	5/8"	2.5	5	\$93.16
202NL-B3B3	3/4"	3/4"	2.5	8	\$108.26
202NL-B4B4	1"	1"	3.7	5	\$162.80
202NL-B5B5	1 1/4"	1 1/4"	9.8	2	\$258.10
202NL-B6B6	1 1/2"	1 1/2"	9.8	2	\$389.32
202NL-B7B7	2"	2"	14.0	1	\$547.31

Series 202NL

Copper Flare x FIP



Part Number	Inlet Size	Outlet Size	Wt. Each (lbs)	Box Qty	Price
202NL-C3F1	3/4"	1/2"	2.0	10	\$99.42
202NL-C3F3	3/4"	3/4"	2.1	10	\$99.42
202NL-C4F4	1"	1"	6.1	6	\$140.40
202NL-C5F5	1 1/4"	1 1/4"	8.1	2	\$235.57
202NL-C6F6	1 1/2"	1 1/2"	9.7	2	\$317.85
202NL-C7F7	2"	2"	12.3	1	\$466.68

Series 202NL

Campak Compression x FIP



Part Number	Inlet Size	Outlet Size	Wt. Each (lbs)	Box Qty	Price
202NL-B2F3	5/8"	3/4"	2.0	10	\$122.01
202NL-B3F3	3/4"	3/4"	2.1	10	\$95.07
202NL-B4F4	1"	1"	6.3	6	\$145.94
202NL-B6F6	1 1/2"	1 1/2"	10.6	2	\$317.85
202NL-B7F7	2"	2"	13.9	2	\$441.93

Series 202NL

FIP x FIP



Part Number	Inlet Size	Outlet Size	Wt. Each (lbs)	Box Qty	Price
202NL-F1F1	1/2"	1/2"	1.1	20	\$78.14
202NL-F3F3	3/4"	3/4"	1.7	12	\$84.10
202NL-F4F4	1"	1"	2.6	10	\$130.69
202NL-F5F5	1 1/4"	1 1/4"	6.8	2	\$212.99
202NL-F6F6	1 1/2"	1 1/2"	6.6	2	\$267.63
202NL-F7F7	2"	2"	9.2	1	\$391.41

Series 202NL

Copper Flare x Copper Flare



Part Number	Inlet Size	Outlet Size	Wt. Each (lbs)	Box Qty	Price
202NL-C3C3	3/4"	3/4"	2.7	8	\$109.68
202NL-C4C4	1"	1"	4.0	5	\$151.42
202NL-C5C5	1 1/4"	1 1/4"	10.7	2	\$257.96
202NL-C6C6	1 1/2"	1 1/2"	12.0	2	\$367.91
202NL-C7C7	2"	2"	18.5	2	\$602.24

Series 202NL

Grip Joint x Grip Joint Compression



Part Number	Inlet Size	Outlet Size	Wt. Each (lbs)	Box Qty	Price
202NL-GJ3GJ3	3/4"	3/4"	2.5	10	\$108.26
202NL-GJ4GJ4	1"	1"	2.7	5	\$162.80

Pricing in U.S. funds.

- Insert stiffeners are required for connections using plastic flexible pipe see page 71
- For full rotation add R to the end of the part number & add \$2.46 to the price

Ball Valves - Full Port

Rated for 300 PSIG

Ball Valve Curb Stops come standard with a 90° operating head and are designed for low turning torques and high pressures (300 PSIG). The no-lead brass ball is supported by two Teflon ball seats. Additionally there are two Buna-N o-rings on the stainless steel blow-out proof stem designed to isolate from line pressure. The end piece joint is permanently sealed with thread locker. The bubble-tight feature at 300 PSIG makes these valves a better choice than a plug valve when test or operating pressures over 100 PSIG are expected. All Cambridge Brass Ball Valve Curb Stops are available with a wide variety of end connections and are manufactured to meet or exceed AWWA C800 (latest version) standard and NSF 61 & 372 standards, except where noted.

Series 202NL

CB Compression x FIP



Part Number	Inlet Size	Outlet Size	Wt. Each (lbs)	Box Qty	Price
202NL-H2F3	5/8"	3/4"	2.0	10	\$122.01
202NL-H3F3	3/4"	3/4"	2.1	10	\$95.07
202NL-H4F4	1"	1"	3.1	6	\$145.95
202NL-H5F5	1 1/4"	1 1/4"	8.2	2	\$204.14
202NL-H6F6	1 1/2"	1 1/2"	7.8	2	\$317.85
202NL-H7F7	2"	2"	10.7	2	\$441.93

Series 202NL

CB Compression Insulated x FIP



Part Number	Inlet Size	Outlet Size	Wt. Each (lbs)	Box Qty	Price
202NL-HI3F3	3/4"	3/4"	3.3	5	\$227.62
202NL-HI4F4	1"	1"	5.6	5	\$236.92
202NL-HI6F6	1 1/2"	1 1/2"	13.8	2	\$409.85
202NL-HI7F7	2"	2"	19.0	2	\$569.80

Series 202NL

CB x CB Compression



Part Number	Inlet Size	Outlet Size	Wt. Each (lbs)	Box Qty	Price
202NL-H1H1	1/2"	1/2"	2.0	10	\$97.67
202NL-H2H2	5/8"	5/8"	2.3	10	\$93.16
202NL-H3H1	3/4"	1/2"	2.4	8	\$93.16
202NL-H3H3	3/4"	3/4"	2.5	10	\$108.26
202NL-H4H1	1"	1/2"	2.5	5	\$192.52
202NL-H4H3	1"	3/4"	2.5	6	\$135.85
202NL-H4H4	1"	1"	3.9	5	\$162.80
202NL-H5H5	1 1/4"	1 1/4"	9.8	2	\$258.10
202NL-H6H6	1 1/2"	1 1/2"	9.3	2	\$389.32
202NL-H7H7	2"	2"	12.5	2	\$547.31

Series 202NL

CB x CB Compression Electrical Connection



Part Number	Inlet Size	Outlet Size	Wt. Each (lbs)	Box Qty	Price
202NL-H3HE3	3/4"	3/4"	2.7	10	\$112.97
202NL-H4HE4	1"	1"	4.0	5	\$172.94
202NL-H6HE6	1 1/2"	1 1/2"	12.0	2	\$404.62
202NL-H7HE7	2"	2"	13.5	2	\$565.83

Series 202NL

Haystite x Haystite Compression



Part Number	Inlet Size	Outlet Size	Wt. Each (lbs)	Box Qty	Price
202NL-J3J3	3/4"	3/4"	3.8	10	\$108.26
202NL-J4J4	1"	1"	6.8	4	\$162.80

Series 202NL

CB x CB Compression Insulated



Part Number	Inlet Size	Outlet Size	Wt. Each (lbs)	Box Qty	Price
202NL-H3HI3	3/4"	3/4"	3.5	5	\$151.15
202NL-H4HI4	1"	1"	5.8	5	\$217.27

- Insert stiffeners are required for all connections using plastic flexible pipe see page 71
- For full rotation add R to the end of the part number & add \$2.46 to the price

Pricing in U.S. funds..

Curb Stops

Ball Valves - Full Port

Rated for 300 PSIG

Ball Valve Curb Stops come standard with a 90° operating head and are designed for low turning torques and high pressures (300 PSIG). The no-lead brass ball is supported by two PTFE ball seats. Additionally there are two Buna-N o-rings on the stainless steel blow-out proof stem designed to isolate from line pressure. The end piece joint is permanently sealed with thread locker. The bubble-tight feature at 300 PSIG makes these valves a better choice than a plug valve when test or operating pressures over 100 PSIG are expected. All Cambridge Brass Ball Valve Curb Stops are available with a wide variety of end connections and are manufactured to meet or exceed AWWA C800 (latest version) and NSF 61 & 372 standards, except where noted.

Series 202NL

Haystite Compression x FIP



Part Number	Inlet Size	Outlet Size	Wt. Each (lbs)	Box Qty	Price
202NL-J3F3	3/4"	3/4"	3.1	10	\$95.03
202NL-J4F4	1"	1"	6.3	6	\$145.94

Series 202NL

Kitec x CB Compression



Part Number	Inlet Size	Outlet Size	Wt. Each (lbs)	Box Qty	Price
202NL-K3H3	3/4"	3/4"	2.6	10	\$132.63
202NL-K4H4	1"	1"	4.0	5	\$196.28

Series 202NL

Kitec x FIP



Part Number	Inlet Size	Outlet Size	Wt. Each (lbs)	Box Qty	Price
202NL-K3F3	3/4"	3/4"	2.2	10	\$119.42
202NL-K4F4	1"	1"	6.3	8	\$179.53

Series 202NL

Kitec x Kitec



Part Number	Inlet Size	Outlet Size	Wt. Each (lbs)	Box Qty	Price
202NL-K3K3	3/4"	3/4"	2.7	8	\$157.05
202NL-K4K4	1"	1"	4.2	5	\$229.87

Series 202NL

Kitec Electrical Tail (Both Ends)



Part Number	Inlet Size	Outlet Size	Wt. Each (lbs)	Box Qty	Price
202NL-KE3KE3	3/4"	3/4"	2.9	8	\$171.37
202NL-KE4KE4	1"	1"	4.3	5	\$234.99

Series 202NL

PEP Size Compression x PEP Size Compression (PE SIDR7)



Part Number	Inlet Size	Outlet Size	Wt. Each (lbs)	Box Qty	Price
202NL-PE3PE3	3/4"	3/4"	2.5	2.5	\$137.56
202NL-PE4PE4	1"	1"	4.3	4.3	\$209.48
202NL-PE5PE5	1 1/4"	1 1/4"	7.6	7.6	\$335.69
202NL-PE6PE6	1 1/2"	1 1/2"	13	13	\$404.31
202NL-PE7PE7	2"	2"	12	12	\$624.43

Series 202NL

Kitec Electrical Tail x CB Compression



Part Number	Inlet Size	Outlet Size	Wt. Each (lbs)	Box Qty	Price
202NL-KE3H3	3/4"	3/4"	2.8	8	\$140.99
202NL-KE4H4	1"	1"	4.2	5	\$201.82

Pricing in U.S. funds.

- Insert stiffeners are required for all connections using plastic flexible pipe see page 71
- For full rotation add R to the end of the part number & add \$2.46 to the price

Ball Valves - Full Port

Rated for 300 PSIG

Ball Valve Curb Stops come standard with a 90° operating head and are designed for low turning torques and high pressures (300 PSIG). The no-lead brass ball is supported by two PTFE ball seats. Additionally there are two Buna-N o-rings on the stainless steel blow-out proof stem designed to isolate from line pressure. The end piece joint is permanently sealed with thread locker. The bubble-tight feature at 300 PSIG makes these valves a better choice than a plug valve when test or operating pressures over 100 PSIG are expected. All Cambridge Brass Ball Valve Curb Stops are available with a wide variety of end connections and are manufactured to meet or exceed AWWA C800 (latest version) and NSF 61 & 372 standards, except where noted.

Series 202NL

PEP Size Compression
(PE SIDR7) x FIP



Part Number	Inlet Size	Outlet Size	Wt. Each (lbs)	Box Qty	Price
202NL-PE3F3	3/4"	3/4"	1.9	6	\$111.58
202NL-PE4F4	1"	1"	3.0	5	\$158.44
202NL-PE5F5	1 1/4"	1 1/4"	6.0	2	\$263.00
202NL-PE6F6	1 1/2"	1 1/2"	6.0	2	\$345.96
202NL-PE7F7	2"	2"	9.6	2	\$529.52

Series 202NL

PVC Compression (IPS) x
PVC Size Compression (IPS)



Part Number	Inlet Size	Outlet Size	Wt. Each (lbs)	Box Qty	Price
202NL-PJ3PJ3	3/4"	3/4"	2.5	6	\$137.56
202NL-PJ4PJ4	1"	1"	4.3	5	\$209.48
202NL-PJ5PJ5	1 1/4"	1 1/4"	7.6	2	\$319.88
202NL-PJ6PJ6	1 1/2"	1 1/2"	13	2	\$401.61
202NL-PJ7PJ7	2"	2"	12	2	\$602.24

Series 202NL

PVC Compression (IPS) x FIP



Part Number	Inlet Size	Outlet Size	Wt. Each (lbs)	Box Qty	Price
202NL-PJ3F3	3/4"	3/4"	1.9	6	\$111.58
202NL-PJ4F4	1"	1"	3.0	5	\$158.44
202NL-PJ5F5	1 1/4"	1 1/4"	6.0	2	\$258.57
202NL-PJ6F6	1 1/2"	1 1/2"	6.0	2	\$334.51
202NL-PJ7F7	2"	2"	9.6	2	\$466.68

- Insert stiffeners are required for all connections using plastic flexible pipe see page 71
- For full rotation add R to the end of the part number & add \$2.46 to the price

Pricing in U.S. funds..

Curb Stops

Globe Valve

Rated for 125 PSIG

These units have a wheel handle for shutoff and utilize a compression type seal.



Series 32NL

Compression x FIP

Part Number	Inlet Size	Outlet Size	Wt. Each (lbs)	Box Qty	Price
CB Compression x FIP 32NL-H3F3	3/4"	3/4"	1.1	10	\$82.74
Campak x FIP 32NL- B3F3	3/4"	3/4"	1.3	10	\$82.74
Kitec x FIP 32NL-K3F3	3/4"	3/4"	1.2	10	\$109.14



Series 32NL

Copper Flare x FIP

Part Number	Inlet Size	Outlet Size	Wt. Each (lbs)	Box Qty	Price
32NL-C3F3	3/4"	3/4"	1.1	10	\$80.30



Series 32NL

Copper Flare x Solder

Part Number	Inlet Size	Outlet Size	Wt. Each (lbs)	Box Qty	Price
32NL-C3S3	3/4"	3/4"	1.2	10	\$80.30

Pricing in U.S. funds.

- Insert stiffeners are required for all connections using plastic flexible pipe see page 71
- For full rotation add R to the end of the part number & add \$2.46 to the price

Ball Valves - Full Port with Drain

Rated for 300 PSIG

Ball Valve Curb Stops come standard with a 90° operating head and are designed for low turning torques and high pressures (300 PSIG). The no-lead brass ball is supported by two PTFE ball seats. Additionally there are two Buna-N o-rings on the stainless steel blow-out proof stem designed to isolate from line pressure. The end piece joint is permanently sealed with thread locker. The bubble-tight feature at 300 PSIG makes these valves a better choice than a plug valve when test or operating pressures over 100 PSIG are expected. All Cambridge Brass Ball Valve Curb Stops are available with a wide variety of end connections and are manufactured to meet or exceed AWWA C800 (latest version) and NSF 61 & 372 standards, except where noted. The suffix "W" signifies a check valve is included. These units are typically used in applications where the down stream side of the waterline needs to be drained when the valve is shut off. All ball valves with a drain are directional.

Series 203NL

Campak x Campak Compression



Part Number	Inlet Size	Outlet Size	Wt. Each (lbs)	Box Qty	Price
203NL-B3B3	3/4"	3/4"	3.8	8	\$135.85
203NL-B4B4	1"	1"	6.8	5	\$190.35
203NL-B6B6	1 1/2"	1 1/2"	12.0	2	\$480.53
203NL-B7B7	2"	2"	17.0	1	\$638.55

Series 203NL

Copper Flare x FIP



Part Number	Inlet Size	Outlet Size	Wt. Each (lbs)	Box Qty	Price
203NL-C3F1	3/4"	1/2"	1.9	10	\$127.06
203NL-C3F3	3/4"	3/4"	2.1	10	\$127.06
203NL-C4F4	1"	1"	3.8	6	\$163.07
203NL-C5F5	1 1/4"	1 1/4"	8.1	2	\$287.14
203NL-C6F6	1 1/2"	1 1/2"	11.5	2	\$359.59
203NL-C7F7	2"	2"	17.5	2	\$490.46

Series 203NL

Campak Compression x FIP



Part Number	Inlet Size	Outlet Size	Wt. Each (lbs)	Box Qty	Price
203NL-B3F3	3/4"	3/4"	3.1	10	\$122.64
203NL-B4F4	1"	1"	6.3	6	\$173.55
203NL-B6F6	1 1/2"	1 1/2"	10.8	2	\$392.71
203NL-B7F7	2"	2"	13.9	2	\$512.47

Series 203NL

FIP x FIP



Part Number	Inlet Size	Outlet Size	Wt. Each (lbs)	Box Qty	Price
203NL-F3F3	3/4"	3/4"	1.7	12	\$111.73
203NL-F4F4	1"	1"	2.5	10	\$158.37
203NL-F5F5	1 1/4"	1 1/4"	6.8	2	\$304.16
203NL-F6F6	1 1/2"	1 1/2"	6.5	2	\$358.84
203NL-F7F7	2"	2"	9.2	2	\$482.64

Series 203NL

Copper Flare x Copper Flare



Part Number	Inlet Size	Outlet Size	Wt. Each (lbs)	Box Qty	Price
203NL-C3C3	3/4"	3/4"	2.3	2.3	\$137.24
203NL-C4C4	1"	1"	3.9	3.9	\$179.09
203NL-C5C5	1 1/4"	1 1/4"	11.5	11.5	\$306.80
203NL-C6C6	1 1/2"	1 1/2"	12.0	12.0	\$459.13
203NL-C7C7	2"	2"	18.3	18.3	\$693.45

Series 203NL

Haystite x Haystite Compression



Part Number	Inlet Size	Outlet Size	Wt. Each (lbs)	Box Qty	List Price
203NL-J3J3	3/4"	3/4"	3.8	10	\$135.85
203NL-J4J4	1"	1"	6.8	4	\$190.35

- For a check valve on a curb stop with drain 203NL series add "W" at the end of the part number & add \$81.96 to the price
- Insert stiffeners are required for all connections using plastic flexible pipe see page 71
- For full rotation add R to the end of the part number & add \$2.46 to the price

Pricing in U.S. funds..

Ball Valves - Full Port with Drain

Rated for 300 PSIG

Ball Valve Curb Stops come standard with a 90° operating head and are designed for low turning torques and high pressures (300 PSIG). The no-lead brass ball is supported by two PTFE ball seats. Additionally there are two Buna-N o-rings on the stainless steel blow-out proof stem designed to isolate from line pressure. The end piece joint is permanently sealed with thread locker. The bubble-tight feature at 300 PSIG makes these valves a better choice than a plug valve when test or operating pressures over 100 PSIG are expected. All Cambridge Brass Ball Valve Curb Stops are available with a wide variety of end connections and are manufactured to meet or exceed AWWA C800 (latest version) and NSF 61 & 372 standards, except where noted. The suffix "W" signifies a check valve is included. These units are typically used in applications where the down stream side of the waterline needs to be drained when the valve is shut off. All ball valves with a drain are directional.

Series 203NL

Grip Joint x Grip Joint Compression



Part Number	Inlet Size	Outlet Size	Wt. Each (lbs)	Box Qty	Price
203NL-GJ3GJ3	3/4"	3/4"	2.5	10	\$135.85
203NL-GJ4GJ4	1"	1"	2.7	5	\$190.35

Series 203NL

CB x CB Compression
Electrical Connection



Part Number	Inlet Size	Outlet Size	Wt. Each (lbs)	Box Qty	Price
203NL-H3HE3	3/4"	3/4"	3.2	10	\$140.62
203NL-H4HE4	1"	1"	4.0	5	\$196.39
203NL-H6HE6	1 1/2"	1 1/2"	12	2	\$495.83
203NL-H7HE7	2"	2"	17	2	\$657.06

Series 203NL

CB Compression x FIP



Part Number	Inlet Size	Outlet Size	Wt. Each (lbs)	Box Qty	Price
203NL-H3F3	3/4"	3/4"	2.0	10	\$122.64
203NL-H4F4	1"	1"	3.0	6	\$173.55
203NL-H5F5	1 1/4"	1 1/4"	10.8	2	\$287.15
203NL-H6F6	1 1/2"	1 1/2"	7.8	2	\$392.71
203NL-H7F7	2"	2"	10.8	2	\$512.47

Series 203NL

Haystite x Haystite Compression



Part Number	Inlet Size	Outlet Size	Wt. Each (lbs)	Box Qty	Price
203NL-J3J3	3/4"	3/4"	3.8	10	\$135.85
203NL-J4J4	1"	1"	6.8	4	\$190.35

Series 203NL

CB x CB Compression



Part Number	Inlet Size	Outlet Size	Wt. Each (lbs)	Box Qty	Price
203NL-H3H3	3/4"	3/4"	2.4	10	\$135.85
203NL-H4H4	1"	1"	3.8	5	\$190.35
203NL-H5H5	1 1/4"	1 1/4"	10.6	2	\$306.80
203NL-H6H6	1 1/2"	1 1/2"	9.3	2	\$480.53
203NL-H7H7	2"	2"	12.3	2	\$638.55

Series 203NL

Haystite Compression x FIP



Part Number	Inlet Size	Outlet Size	Wt. Each (lbs)	Box Qty	Price
203NL-J3F3	3/4"	3/4"	3.1	10	\$122.64
203NL-J4F4	1"	1"	6.3	6	\$173.55

Pricing in U.S. funds.

- For a check valve on a curb stop with drain 203NL series add "W" at the end of the part number & add \$81.96 to the price
- Insert stiffeners are required for all connections using plastic flexible pipe see page 71
- For full rotation add R to the end of the part number & add \$2.46 to the price

Ball Valves - Full Port with Drain

Rated for 300 PSIG

Ball Valve Curb Stops come standard with a 90° operating head and are designed for low turning torques and high pressures (300 PSIG). The no-lead brass ball is supported by two PTFE ball seats. Additionally there are two Buna-N o-rings on the stainless steel blow-out proof stem designed to isolate from line pressure. The end piece joint is permanently sealed with thread locker. The bubble-tight feature at 300 PSIG makes these valves a better choice than a plug valve when test or operating pressures over 100 PSIG are expected. All Cambridge Brass Ball Valve Curb Stops are available with a wide variety of end connections and are manufactured to meet or exceed AWWA C800 (latest version) and NSF 61 & 372 standards, except where noted. The suffix "W" signifies a check valve is included. These units are typically used in applications where the down stream side of the waterline needs to be drained when the valve is shut off. All ball valves with a drain are directional.

Series 203NL

Kitec x FIP



Part Number	Inlet Size	Outlet Size	Wt. Each (lbs)	Box Qty	Price
203NL-K3F3	3/4"	3/4"	3.1	10	\$147.05
203NL-K4F4	1"	1"	6.3	6	\$207.14

Series 203NL

Kitec x CB Compression



Part Number	Inlet Size	Outlet Size	Wt. Each (lbs)	Box Qty	Price
203NL-K3H3	3/4"	3/4"	2.6	10	\$160.03
203NL-K4H4	1"	1"	4.4	5	\$223.94

Series 203NL

Kitec x Kitec



Part Number	Inlet Size	Outlet Size	Wt. Each (lbs)	Box Qty	Price
203NL-K3K3	3/4"	3/4"	2.7	8	\$184.68
203NL-K4K4	1"	1"	4.2	5	\$254.41

Series 203NL

PVC Compression (IPS) x FIP



Part Number	Inlet Size	Outlet Size	Wt. Each (lbs)	Box Qty	Price
203NL-PJ3F3	3/4"	3/4"	1.9	6	\$152.23
203NL-PJ4F4	1"	1"	3.0	5	\$196.67
203NL-PJ6F6	1 1/2"	1 1/2"	6.0	2	\$425.67
203NL-PJ7F7	2"	2"	9.6	2	\$557.80

Series 203NL

PEP Size Compression x PEP Size Compression (PE SIDR7)



Part Number	Inlet Size	Outlet Size	Wt. Each (lbs)	Box Qty	Price
203NL-PE3PE3	3/4"	3/4"	2.7	6	\$180.62
203NL-PE4PE4	1"	1"	4.5	5	\$259.30
203NL-PE6PE6	1 1/2"	1 1/2"	13.2	2	\$515.60
203NL-PE7PE7	2"	2"	12.4	2	\$715.52

Series 203NL

PEP Size Compression (PE SIDR7) x FIP



Part Number	Inlet Size	Outlet Size	Wt. Each (lbs)	Box Qty	Price
203NL-PE3F3	3/4"	3/4"	1.9	6	\$152.23
203NL-PE4F4	1"	1"	3.0	5	\$203.46
203NL-PE6F6	1 1/2"	1 1/2"	6.0	2	\$437.12
203NL-PE7F7	2"	2"	9.6	2	\$557.80

Series 203NL

PVC Compression x PVC Size Compression (IPS)



Part Number	Inlet Size	Outlet Size	Wt. Each (lbs)	Box Qty	Price
203NL-PJ3PJ3	3/4"	3/4"	2.7	6	\$180.62
203NL-PJ4PJ4	1"	1"	4.5	5	\$259.30
203NL-PJ5PJ5	1 1/4"	1 1/4"	11.1	2	\$399.83
203NL-PJ6PJ6	1 1/2"	1 1/2"	13.2	2	\$492.72
203NL-PJ7PJ7	2"	2"	12.4	2	\$693.35

- For a check valve on a curb stop with drain 203NL series add "W" at the end of the part number & add \$81.96 to the price
- Insert stiffeners are required for all connections using plastic flexible pipe see page 71
- For full rotation add R to the end of the part number & add \$2.46 to the price

Pricing in U.S. funds..

Curb Stops

Ball Valves - Full Port with Drain & Check Valve

Rated for 300 PSIG

203 Series is an open right type of unit. Ball Valve Curb Stops come standard with a 90° operating head and are designed for low turning torques and high pressures (300 PSIG). The no-lead brass ball is supported by two Teflon ball seats. Additionally there are two Buna-N o-rings on the stainless steel blow-out proof stem designed to isolate from line pressure. The end piece joint is permanently sealed with thread locker. The bubble-tight feature at 300 PSIG makes these valves a better choice than a plug valve when test or operating pressures over 100 PSIG are expected. All Cambridge Brass Ball Valve Curb Stops are available with a wide variety of end connections and are manufactured to meet or exceed AWWA C800 (latest version) and NSF 61 & 372 standards, except where noted. All ball valves with a drain are directional.



Series 203NL

Campak x Campak

Part Number	Inlet Size	Outlet Size	Wt. Each (lbs)	Box Qty	Price
203NL-B3B3W	3/4"	3/4"	3.8	8	\$217.80
203NL-B4B4W	1"	1"	6.8	5	\$272.30
203NL-B6B6W	1 1/2"	1 1/2"	12.0	2	\$562.48
203NL-B7B7W	2"	2"	17.0	1	\$720.51



Series 203NL

FIP x FIP

Part Number	Inlet Size	Outlet Size	Wt. Each (lbs)	Box Qty	Price
203NL-F3F3W	3/4"	3/4"	2.1	8	\$193.68
203NL-F4F4W	1"	1"	2.9	8	\$240.32
203NL-F6F6W	1 1/2"	1 1/2"	6.9	2	\$440.80
203NL-F7F7W	2"	2"	9.7	2	\$564.60



Series 203NL

Copper Flare x Copper Flare

Part Number	Inlet Size	Outlet Size	Wt. Each (lbs)	Box Qty	Price
203NL-C3C3W	3/4"	3/4"	2.8	8	\$219.20
203NL-C4C4W	1"	1"	3.9	8	\$261.04
203NL-C6C6W	1 1/2"	1 1/2"	12.5	2	\$541.09
203NL-C7C7W	2"	2"	18.8	2	\$775.40



Series 203NL

CB Compression x CB Compression

Part Number	Inlet Size	Outlet Size	Wt. Each (lbs)	Box Qty	Price
203NL-H3H3W	3/4"	3/4"	2.6	10	\$217.80
203NL-H4H4W	1"	1"	3.8	6	\$272.30
203NL-H6H6W	1 1/2"	1 1/2"	8.6	2	\$562.48
203NL-H7H7W	2"	2"	11.5	2	\$720.51

Curb Stops

Pricing in U.S. funds.

- For a check valve on a curb stop with drain 203NL series add "W" at the end of the part number & add \$81.96 to the price
- Insert stiffeners are required for all connections using plastic flexible pipe see page 71
- For full rotation add R to the end of the part number & add \$2.46 to the price

Ball Valves - Reduced Port

Rated for 300 PSIG

Ball Valve Curb Stops come standard with a 90° operating head and are designed for low turning torques and high pressures (300 PSIG). The no-lead brass ball is supported by two PTFE ball seats. Additionally there are two Buna-N o-rings on the stainless steel blow-out proof stem designed to isolate from line pressure. The end piece joint is permanently sealed with thread locker. The bubble-tight feature at 300 PSIG makes these valves a better choice than a plug valve when test or operating pressures over 100 PSIG are expected. All Cambridge Brass Ball Valve Curb Stops are available with a wide variety of end connections and are manufactured to meet or exceed AWWA C800 (latest version) and NSF 61 & 372 standards, except where noted.

Series 204NL

Compression x Compression



Part Number	Inlet Size	Outlet Size	Wt. Each (lbs)	Box Qty	Price
Campak x Campak					
204NL-B3B3	3/4"	3/4"	1.9	8	\$66.92
CB x CB Compression					
204NL-H3H3	3/4"	3/4"	2.0	10	\$66.92
204NL-H4H4	1"	1"	3.0	6	\$137.56
204NL-H5H5	1 1/4"	1 1/4"	9.6	5	\$153.90
Haystite x Haystite					
204NL-J3J3	3/4"	3/4"	1.9	10	\$66.92
Grip Joint x Grip Joint					
204NL-GJ3GJ3	3/4"	3/4"	1.9	10	\$66.92

Series 204NL

Compression x FIP



Part Number	Inlet Size	Outlet Size	Wt. Each (lbs)	Box Qty	Price
Campak x FIP					
204NL-B3F3	3/4"	3/4"	1.7	10	\$61.79
CB x FIP					
204NL-H3F3	3/4"	3/4"	1.6	10	\$61.79
Haystite x FIP					
204NL-J3F3	3/4"	3/4"	1.7	10	\$61.79
Grip Joint x FIP					
204NL-GJ3F3	3/4"	3/4"	1.6	10	\$61.79

Series 204NL

Copper Flare x Copper Flare



Part Number	Inlet Size	Outlet Size	Wt. Each (lbs)	Box Qty	Price
204NL-C3C3	3/4"	3/4"	1.9	8	\$66.16

Series 204NL

FIP x FIP



Part Number	Inlet Size	Outlet Size	Wt. Each (lbs)	Box Qty	Price
204NL-F3F3	3/4"	3/4"	1.2	20	\$51.68

Series 204NL

Copper Flare x FIP



Part Number	Inlet Size	Outlet Size	Wt. Each (lbs)	Box Qty	Price
204NL-C3F3	3/4"	3/4"	1.6	10	\$58.11

- Insert stiffeners are required for all connections using plastic flexible pipe see page 71
- For full rotation add R to the end of the part number & add \$2.46 to the price

Pricing in U.S. funds..

Curb Stops

Ball Valves - Full Port Open Right

Rated for 300 PSIG

Ball Valve Curb Stops come standard with a 90° operating head and are designed for low turning torques and high pressures (300 PSIG). The no-lead brass ball is supported by two PTFE ball seats. Additionally there are two Buna-N o-rings on the stainless steel blow-out proof stem designed to isolate from line pressure. The end piece joint is permanently sealed with thread locker. The bubble-tight feature at 300 PSIG makes these valves a better choice than a plug valve when test or operating pressures over 100 PSIG are expected. All Cambridge Brass Ball Valve Curb Stops are available with a wide variety of end connections and are manufactured to meet or exceed AWWA C800 (latest version) and NSF 61 & 372 standards, except where noted.

Series 252NL

Campak x Campak Compression



Part Number	Inlet Size	Outlet Size	Wt. Each (lbs)	Box Qty	Price
252NL-B3B3	3/4"	3/4"	2.5	8	\$127.87
252NL-B4B4	1"	1"	3.7	5	\$182.37
252NL-B6B6	1 1/2"	1 1/2"	9.8	2	\$410.79
252NL-B7B7	2"	2"	14.0	1	\$672.37

Series 252NL

Copper Flare x FIP



Part Number	Inlet Size	Outlet Size	Wt. Each (lbs)	Box Qty	Price
252NL-C3F3	3/4"	3/4"	2.1	10	\$100.29
252NL-C4F4	1"	1"	6.1	6	\$151.37

Series 252NL

Campak x FIP



Part Number	Inlet Size	Outlet Size	Wt. Each (lbs)	Box Qty	Price
252NL-B3F3	3/4"	3/4"	2.1	10	\$100.29
252NL-B4F4	1"	1"	6.3	6	\$157.35
252NL-B6F6	1 1/2"	1 1/2"	10.6	2	\$342.62
252NL-B7F7	2"	2"	13.9	2	\$476.31

Series 252NL

FIP x FIP



Part Number	Inlet Size	Outlet Size	Wt. Each (lbs)	Box Qty	Price
252NL-F3F3	3/4"	3/4"	1.8	12	\$103.74
252NL-F4F4	1"	1"	2.5	10	\$150.35
252NL-F5F5	1 1/4"	1 1/4"	6.0	2	\$317.59
252NL-F6F6	1 1/2"	1 1/2"	6.5	2	\$289.06
252NL-F7F7	2"	2"	9.3	2	\$473.19

Series 252NL

Copper Flare x Copper Flare



Part Number	Inlet Size	Outlet Size	Wt. Each (lbs)	Box Qty	Price
252NL-C3C3	3/4"	3/4"	2.7	8	\$143.01
252NL-C4C4	1"	1"	4.0	5	\$190.22
252NL-C6C6	1 1/2"	1 1/2"	11.6	2	\$389.32
252NL-C7C7	2"	2"	18.0	2	\$637.27

Series 252NL

CB x FIP



Part Number	Inlet Size	Outlet Size	Wt. Each (lbs)	Box Qty	Price
252NL-H3F3	3/4"	3/4"	2.1	10	\$100.29
252NL-H4F4	1"	1"	3.1	6	\$157.35
252NL-H6F6	1 1/2"	1 1/2"	7.8	2	\$342.62
252NL-H7F7	2"	2"	10.7	2	\$476.31

Pricing in U.S. funds.

• Insert stiffeners are required for all connections using plastic flexible pipe see page 71

Ball Valves - Full Port Open Right

Rated for 300 PSIG

Ball Valve Curb Stops come standard with a 90° operating head and are designed for low turning torques and high pressures (300 PSIG). The no-lead brass ball is supported by two PTFE ball seats. Additionally there are two Buna-N o-rings on the stainless steel blow-out proof stem designed to isolate from line pressure. The end piece joint is permanently sealed with thread locker. The bubble-tight feature at 300 PSIG makes these valves a better choice than a plug valve when test or operating pressures over 100 PSIG are expected. All Cambridge Brass Ball Valve Curb Stops are available with a wide variety of end connections and are manufactured to meet or exceed AWWA C800 (latest version) and NSF 61 & 372 standards, except where noted.

Series 252NL CB x CB Compression



Part Number	Inlet Size	Outlet Size	Wt. Each (lbs)	Box Qty	Price
252NL-H3H3	3/4"	3/4"	2.3	10	\$127.87
252NL-H4H4	1"	1"	3.2	5	\$182.37
252NL-H5H5	1 1/4"	1 1/4"	9.8	2	\$243.53
252NL-H6H6	1 1/2"	1 1/2"	9.8	2	\$410.79
252NL-H7H7	2"	2"	12.0	2	\$672.37

Series 252NL Kitec x FIP



Part Number	Inlet Size	Outlet Size	Wt. Each (lbs)	Box Qty	Price
252NL-K3F3	3/4"	3/4"	2.2	10	\$124.71
252NL-K4F4	1"	1"	6.3	8	\$190.95

Series 252NL Kitec x Kitec



Part Number	Inlet Size	Outlet Size	Wt. Each (lbs)	Box Qty	Price
252NL-K3K3	3/4"	3/4"	2.7	8	\$172.34
252NL-K4K4	1"	1"	4.2	5	\$249.56

Ball Valves - Full Port Open Right with Drain

Rated for 300 PSIG

253 Series is an open right type of unit. Ball Valve Curb Stops come standard with a 90° operating head and are designed for low turning torques and high pressures (300 PSIG). The no-lead brass ball is supported by two PTFE ball seats. Additionally there are two Buna-N o-rings on the stainless steel blow-out proof stem designed to isolate from line pressure. The end piece joint is permanently sealed with thread locker. The bubble-tight feature at 300 PSIG makes these valves a better choice than a plug valve when test or operating pressures over 100 PSIG are expected. All Cambridge Brass Ball Valve Curb Stops are available with a wide variety of end connections and are manufactured to meet or exceed AWWA C800 (latest version) and NSF 61 & 372 standards, except where noted.

Series 253NL Campak x Campak Compression



Part Number	Inlet Size	Outlet Size	Wt. Each (lbs)	Box Qty	Price
253NL-B3B3	3/4"	3/4"	3.8	8	\$170.01
253NL-B4B4	1"	1"	6.8	5	\$209.89
253NL-B6B6	1 1/2"	1 1/2"	12.0	2	\$501.99
253NL-B7B7	2"	2"	17.0	1	\$821.69

Series 253NL Campak Compression x FIP



Part Number	Inlet Size	Outlet Size	Wt. Each (lbs)	Box Qty	Price
253NL-B3F3	3/4"	3/4"	3.1	10	\$133.95
253NL-B4F4	1"	1"	6.3	6	\$223.15
253NL-B6F6	1 1/2"	1 1/2"	10.8	2	\$393.29
253NL-B7F7	2"	2"	13.9	2	\$531.48

• Insert stiffeners are required for all connections using plastic flexible pipe see page 71

Pricing in U.S. funds..

Curb Stops

Ball Valves - Full Port Open Right with Drain

Rated for 300 PSIG

253 Series is an open right type of unit. Ball Valve Curb Stops come standard with a 90° operating head and are designed for low turning torques and high pressures (300 PSIG). The no-lead brass ball is supported by two PTFE ball seats. Additionally there are two Buna-N o-rings on the stainless steel blow-out proof stem designed to isolate from line pressure. The end piece joint is permanently sealed with thread locker. The bubble-tight feature at 300 PSIG makes these valves a better choice than a plug valve when test or operating pressures over 100 PSIG are expected. All Cambridge Brass Ball Valve Curb Stops are available with a wide variety of end connections and are manufactured to meet or exceed AWWA C800 (latest version) and NSF 61 & 372 standards, except where noted.

Series 253NL

Copper Flare x Copper Flare



Part Number	Inlet Size	Outlet Size	Wt. Each (lbs)	Box Qty	Price
253NL-C3C3	3/4"	3/4"	2.3	8	\$160.86
253NL-C4C4	1"	1"	3.9	5	\$204.84
253NL-C6C6	1 1/2"	1 1/2"	12.1	2	\$480.55
253NL-C7C7	2"	2"	18.3	2	\$786.59

Series 253NL

CB x CB Compression



Part Number	Inlet Size	Outlet Size	Wt. Each (lbs)	Box Qty	List Price
253NL-H3F3	3/4"	3/4"	2.0	10	\$133.95
253NL-H4F4	1"	1"	3.0	6	\$187.10
253NL-H6F6	1 1/2"	1 1/2"	7.8	2	\$393.29
253NL-H7F7	2"	2"	10.8	2	\$531.48

Series 253NL

Copper Flare x FIP



Part Number	Inlet Size	Outlet Size	Wt. Each (lbs)	Box Qty	Price
253NL-C3F3	3/4"	3/4"	2.1	10	\$135.71
253NL-C4F4	1"	1"	5.3	6	\$187.10

Series 253NL

CB x CB Compression



Part Number	Inlet Size	Outlet Size	Wt. Each (lbs)	Box Qty	List Price
253NL-H3H3	3/4"	3/4"	2.4	10	\$170.01
253NL-H4H4	1"	1"	3.8	5	\$209.89
253NL-H6H6	1 1/2"	1 1/2"	9.3	2	\$501.99
253NL-H7H7	2"	2"	12.3	2	\$821.69

Series 253NL

FIP x FIP



Part Number	Inlet Size	Outlet Size	Wt. Each (lbs)	Box Qty	Price
253NL-F3F3	3/4"	3/4"	1.7	12	\$131.30
253NL-F4F4	1"	1"	2.5	10	\$177.92
253NL-F6F6	1 1/2"	1 1/2"	6.5	2	\$380.31
253NL-F7F7	2"	2"	9.2	2	\$622.52

Series 253NL

Kitec x Kitec



Part Number	Inlet Size	Outlet Size	Wt. Each (lbs)	Box Qty	List Price
253NL-K3K3	3/4"	3/4"	2.7	8	\$199.91
253NL-K4K4	1"	1"	4.2	5	\$277.08

Series 253NL

Kitec x FIP



Part Number	Inlet Size	Outlet Size	Wt. Each (lbs)	Box Qty	List Price
253NL-K3F3	3/4"	3/4"	2.1	10	\$158.37
253NL-K4F4	1"	1"	5.3	6	\$220.69

Pricing in U.S. funds.

• Insert stiffeners are required for all connections using plastic flexible pipe see page 71

Ball Valves - Minneapolis Pattern

Rated for 300 PSIG

Ball Valve Curb Stops maintain their low turning torques and bubble-tight 300 PSIG water pressure rating due to the uncoated brass ball that is supported by two blow-out proof PTFE seals. The end piece joint is sealed with thread locker. Cambridge Brass Curb Stops offer positive shut-off from either direction and are available with a wide variety of end connections or Minneapolis Curb Box threads. Minneapolis Pattern: Threading on valve is 1 1/2" standard pipe thread on 3/4" & 1" size valves. Threading on valve is 2" standard pipe thread on 1 1/2" & 2" size valves.

Series 262NL

Campak x Campak Compression

Part Number	Inlet Size	Outlet Size	Wt. Each (lbs)	Box Qty	List Price
262NL-B3B3	3/4"	3/4"	3.0	6	\$118.22
262NL-B4B4	1"	1"	6.8	4	\$172.70
262NL-B6B6	1 1/2"	1 1/2"	12.2	2	\$400.66
262NL-B7B7	2"	2"	17.0	1	\$558.70

Series 262NL

Copper Flare x FIP

Part Number	Inlet Size	Outlet Size	Wt. Each (lbs)	Box Qty	List Price
262NL-C3F3	3/4"	3/4"	3.5	6	\$109.37
262NL-C4F4	1"	1"	6.3	4	\$150.35

Series 262NL

Campak Compression x FIP

Part Number	Inlet Size	Outlet Size	Wt. Each (lbs)	Box Qty	List Price
262NL-B3F3	3/4"	3/4"	3.2	10	\$104.96
262NL-B4F4	1"	1"	6.4	6	\$155.89
262NL-B6F6	1 1/2"	1 1/2"	10.9	2	\$329.20
262NL-B7F7	2"	2"	14.0	2	\$453.30

Series 262NL

FIP x FIP

Part Number	Inlet Size	Outlet Size	Wt. Each (lbs)	Box Qty	List Price
262NL-F3F3	3/4"	3/4"	2.1	10	\$94.08
262NL-F4F4	1"	1"	2.9	6	\$140.65
262NL-F6F6	1 1/2"	1 1/2"	7.1	2	\$255.16
262NL-F7F7	2"	2"	9.7	2	\$402.81

Series 262NL

Copper Flare x Copper Flare

Part Number	Inlet Size	Outlet Size	Wt. Each (lbs)	Box Qty	List Price
262NL-C3C3	3/4"	3/4"	3.3	6	\$119.63
262NL-C4C4	1"	1"	4.6	3	\$161.41
262NL-C6C6	1 1/2"	1 1/2"	12.2	2	\$379.25
262NL-C7C7	2"	2"	18.5	1	\$613.58

Series 262NL

CB x CB Compression

Part Number	Inlet Size	Outlet Size	Wt. Each (lbs)	Box Qty	List Price
262NL-H3H3	3/4"	3/4"	3.0	6	\$118.22
262NL-H4H4	1"	1"	6.8	4	\$172.70
262NL-H6H6	1 1/2"	1 1/2"	10.0	2	\$400.66
262NL-H7H7	2"	2"	12.9	2	\$558.70

- Minneapolis Pattern: Threading on valve is 1 1/2" standard pipe thread on 3/4" & 1" size valves. Threading on valve is 2" standard pipe thread on 1 1/2" & 2" size valves
- Insert stiffeners are required for all connections using plastic flexible pipe see page 71
- For full rotation add R to the end of the part number and add \$2.46 to list price.

Pricing in U.S. funds..

Ball Valves - Minneapolis Pattern

Rated for 300 PSIG

Ball Valve Curb Stops maintain their low turning torques and bubble-tight 300 PSIG water pressure rating due to the uncoated brass ball that is supported by two blow-out proof PTFE seals. The end piece joint is sealed with thread locker. Cambridge Brass Curb Stops offer positive shut-off from either direction and are available with a wide variety of end connections or Minneapolis Curb Box threads. Minneapolis Pattern: Threading on valve is 1 1/2" standard pipe thread on 3/4" & 1" size valves. Threading on valve is 2" standard pipe thread on 1 1/2" & 2" size valves.

Series 262NL

CB Compression x FIP

Part Number	Inlet Size	Outlet Size	Wt. Each (lbs)	Box Qty	List Price
262NL-H3F3	3/4"	3/4"	3.2	10	\$104.96
262NL-H4F4	1"	1"	6.4	6	\$155.89
262NL-H6F6	1 1/2"	1 1/2"	10.9	2	\$329.20
262NL-H7F7	2"	2"	14	2	\$453.30

Series 262NL

Kitec x Kitec

Part Number	Inlet Size	Outlet Size	Wt. Each (lbs)	Box Qty	List Price
262NL-K3K3	3/4"	3/4"	3.8	6	\$162.69
262NL-K4K4	1"	1"	6.8	4	\$239.89

Series 262NL

Kitec x FIP

Part Number	Inlet Size	Outlet Size	Wt. Each (lbs)	Box Qty	List Price
262NL-K3F3	3/4"	3/4"	3.2	10	\$129.37
262NL-K4F4	1"	1"	6.3	6	\$189.49

Ball Valves - Minneapolis Pattern Draining

Rated for 300 PSIG

Ball Valve Curb Stops maintain their low turning torques and bubble-tight 300 PSIG water pressure rating due to the uncoated brass ball that is supported by two blow-out proof PTFE seals. The end piece joint is sealed with thread locker. Cambridge Brass Curb Stops offer positive shut-off from either direction and are available with a wide variety of end connections or Minneapolis Curb Box threads. Minneapolis Pattern: Threading on valve is 1 1/2" standard pipe thread on 3/4" & 1" size valves. Threading on valve is 2" standard pipe thread on 1 1/2" & 2" size valves.

Series 263NL

Campak x Campak Compression

Part Number	Inlet Size	Outlet Size	Wt. Each (lbs)	Box Qty	List Price
263NL-B3B3	3/4"	3/4"	2.9	6	\$145.84
263NL-B4B4	1"	1"	6.8	4	\$200.27
263NL-B6B6	1 1/2"	1 1/2"	12.1	2	\$491.94
263NL-B7B7	2"	2"	17.1	1	\$649.89

Series 263NL

Campak Compression x FIP

Part Number	Inlet Size	Outlet Size	Wt. Each (lbs)	Box Qty	List Price
263NL-B3F3	3/4"	3/4"	3.2	10	\$132.00
263NL-B4F4	1"	1"	6.3	6	\$182.95
263NL-B6F6	1 1/2"	1 1/2"	10.9	2	\$418.55
263NL-B7F7	2"	2"	14.0	2	\$542.65

- Minneapolis Pattern: Threading on valve is 1 1/2" standard pipe thread on 3/4" & 1" size valves. Threading on valve is 2" standard pipe thread on 1 1/2" & 2" size valves
- Insert stiffeners are required for all connections using plastic flexible pipe see page 71
- For full rotation add R to the end of the part number and add \$2.46 to list price.

Pricing in U.S. funds.

Ball Valves - Minneapolis Pattern Draining

Rated for 300 PSIG

Ball Valve Curb Stops maintain their low turning torques and bubble-tight 300 PSIG water pressure rating due to the uncoated brass ball that is supported by two blow-out proof PTFE seals. The end piece joint is sealed with thread locker. Cambridge Brass Curb Stops offer positive shut-off from either direction and are available with a wide variety of end connections or Minneapolis Curb Box threads. Minneapolis Pattern: Threading on valve is 1 1/2" standard pipe thread on 3/4" & 1" size valves. Threading on valve is 2" standard pipe thread on 1 1/2" & 2" size valves..

Series 263NL

Copper Flare x Copper Flare

Part Number	Inlet Size	Outlet Size	Wt. Each (lbs)	Box Qty	List Price
263NL-C3C3	3/4"	3/4"	3.1	6	\$147.24
263NL-C4C4	1"	1"	6.8	3	\$189.02
263NL-C6C6	1 1/2"	1 1/2"	11.9	2	\$470.47
263NL-C7C7	2"	2"	16.6	1	\$704.74

Series 263NL

Copper Flare x FIP

Part Number	Inlet Size	Outlet Size	Wt. Each (lbs)	Box Qty	List Price
263NL-C3F3	3/4"	3/4"	3.0	6	\$136.41
263NL-C4F4	1"	1"	6.3	4	\$177.40

Series 263NL

FIP x FIP

Part Number	Inlet Size	Outlet Size	Wt. Each (lbs)	Box Qty	List Price
263NL-F3F3	3/4"	3/4"	2.1	10	\$121.63
263NL-F4F4	1"	1"	2.9	6	\$168.29
263NL-F6F6	1 1/2"	1 1/2"	7.1	2	\$370.22
263NL-F7F7	2"	2"	9.6	2	\$494.00

Series 263NL

Kitec x FIP

Part Number	Inlet Size	Outlet Size	Wt. Each (lbs)	Box Qty	List Price
263NL-H3H3	3/4"	3/4"	3.2	6	\$145.84
263NL-H4H4	1"	1"	4.4	4	\$200.27
263NL-H6H6	1 1/2"	1 1/2"	9.7	2	\$491.94
263NL-H7H7	2"	2"	12.9	2	\$649.94

Series 263NL

Campak x Campak Compression

Part Number	Inlet Size	Outlet Size	Wt. Each (lbs)	Box Qty	List Price
263NL-H3F3	3/4"	3/4"	3.2	10	\$132.00
263NL-H4F4	1"	1"	6.3	6	\$182.95
263NL-H6F6	1 1/2"	1 1/2"	10.9	2	\$418.55
263NL-H7F7	2"	2"	12.9	2	\$542.65

Series 263NL

Kitec x Kitec

Part Number	Inlet Size	Outlet Size	Wt. Each (lbs)	Box Qty	List Price
263NL-K3K3	3/4"	3/4"	3.3	6	\$165.06
263NL-K4K4	1"	1"	6.8	4	\$267.45

Series 263NL

Kitec x FIP

Part Number	Inlet Size	Outlet Size	Wt. Each (lbs)	Box Qty	List Price
263NL-K3F3	3/4"	3/4"	3.1	10	\$149.17
263NL-K4F4	1"	1"	6.3	6	\$216.54

- Minneapolis Pattern: Threading on valve is 1 1/2" standard pipe thread on 3/4" & 1" size valves. Threading on valve is 2" standard pipe thread on 1 1/2" & 2" size valves
- Insert stiffeners are required for all connections using plastic flexible pipe see page 71
- For full rotation add R to the end of the part number and add \$2.46 to list price.

Pricing in U.S. funds..

Curb Stops

Ball Valve Curb Stop - Double Curb Stops

Rated for 300 PSIG

Cambridge Brass Double Curb Stops are typically used in installations where two service laterals are required which are in close proximity. This is a quick & efficient alternative to tapping the water main twice. Ball Style units are available in non-draining and draining styles. Ball valves are mounted on a rugged cast brass "U" frame and are factory tested as a complete assembly. Ball Valve Curb Stops come standard with a 90° operating head and are designed for low turning torques and high pressures (300 PSIG). The no-lead brass ball is supported by two PTFE ball seats. Additionally there are two Buna-N o-rings on the stainless steel blow-out proof stem designed to isolate from line pressure. The end piece joint is permanently sealed with thread locker. The bubble-tight feature at 300 PSIG makes these valves a better choice than a plug valve when test or operating pressures over 100 PSIG are expected. All Cambridge Brass Ball Valve Curb Stops are manufactured to meet or exceed AWWA C800 (latest version) and NSF 61 & 372 standards, except where noted.



Series 272NL

CB x CB Compression

Part Number	Inlet Size	Outlet Size	Outlet Size	Wt. Each (lbs)	Box Qty	Price
272NL-H2H1	5/8"	1/2"	1/2"	6.2	5	\$263.42
272NL-H3H2	3/4"	5/8"	5/8"	6.2	5	\$318.61
272NL-H3H3	3/4"	3/4"	3/4"	6.2	5	\$257.80
272NL-H4H3	1"	3/4"	3/4"	6.2	5	\$293.82
272NL-H4H4	1"	1"	1"	7.2	5	\$301.83

Series 272NL

Campak x CB Compression

Part Number	Inlet Size	Outlet Size	Outlet Size	Wt. Each (lbs)	Box Qty	Price
272NL-B4H3	1"	3/4"	3/4"	6.95	5	\$293.82

Series 272NL

CB Compression x FIP

Part Number	Inlet Size	Outlet Size	Outlet Size	Wt. Each (lbs)	Box Qty	Price
272NL-H3F3	3/4"	3/4"	3/4"	5.8	5	\$268.63

Curb Stops

Ball Valve Curb Stop - Double Curb Stops - Draining

Rated for 300 PSIG



Series 273NL

CB x CB x CB Compression

Part Number	Inlet Size	Outlet Size	Outlet Size	Wt. Each (lbs)	Box Qty	Price
273NL-H3H3	3/4"	3/4"	3/4"	7.6	5	\$325.44
273NL-H4H3	1"	3/4"	3/4"	7.9	5	\$344.29



Series 274NL

CB x CB x CB Compression

Part Number	Inlet Size	Outlet Size	Outlet Size	Wt. Each (lbs)	Box Qty	Price
274NL-H3H2	3/4"	5/8"	5/8"		5	\$239.72

Pricing in U.S. funds.

• Insert stiffeners are required for all connections using plastic flexible pipe see page 71

Accessories

For use with corporation stops, both ball and plug style to suit applications, adaptors are manufactured to meet or exceed AWWA C800 (latest version) and NSF 61 & 372 standards, except where noted.

Series 84

Inserts for IPS Size Plastic Pipe SDR-17



Part Number	Pipe Size	Wt. Each (lbs)	Box Qty	Price
84-5	1 1/4"	0.07	25	\$5.43
84-6	1 1/2"	0.11	25	\$5.91
84-7	2"	0.12	25	\$6.51

Series 88

Inserts for IPS Size Plastic Pipe SDR-9



Part Number	Pipe Size	Wt. Each (lbs)	Box Qty	Price
88-3	3/4"	0.03	50	\$2.32
88-4	1"	0.04	50	\$2.46
88-5	1 1/4"	0.07	25	\$4.95
88-6	1 1/2"	0.11	25	\$5.31
88-7	2"	0.12	25	\$6.00

Series 86

Inserts for CTS Size Plastic Pipe SDR-9



Part Number	Pipe Size	Wt. Each (lbs)	Box Qty	Price
86-3	3/4"	0.03	50	\$2.32
86-4	1"	0.04	50	\$2.46
86-5	1 1/4"	0.07	25	\$3.03
86-6	1 1/2"	0.11	25	\$3.39
86-7	2"	0.12	25	\$3.39

Series 89

Inserts for IPS Size Plastic Pipe SDR-11



Part Number	Pipe Size	Wt. Each (lbs)	Box Qty	Price
89-5	1 1/4"	0.07	25	\$4.95
89-6	1 1/2"	0.11	25	\$5.31
89-7	2"	0.12	25	\$6.00

Series 87

Inserts for PEP Size Plastic Pipe SIDR7 Only



Part Number	Pipe Size	Wt. Each (lbs)	Box Qty	Price
87-3	3/4"	0.03	50	\$2.63
87-4	1"	0.04	25	\$3.03
87-5	1 1/4"	0.07	25	\$4.50
87-6	1 1/2"	0.11	25	\$4.95
87-7	2"	0.12	25	\$5.42

• Insert stiffeners are required for all connections using plastic flexible pipe

Pricing in U.S. funds..



Part Number Format

Example: 1" CB x CB Ball Full Port Angle Meter Valve = **210NL - H 4 H 4**

Series Number	Inlet Connection	Inlet Size	Outlet Connection	Outlet Size
202NL = Curb Stop	H = CB Compression	1 = 1/2"	H = CB Compression	1 = 1/2"
203NL = Curb Stop with a Drain	B = Campak	2 = 5/8"	B = Campak	2 = 5/8"
204NL = Reduced Port Curb Stop	J = Haystite	3 = 3/4"	J = Haystite	3 = 3/4"
210NL = Full Port Angle Meter Valve	C = Copper Flare	4 = 1"	C = Copper Flare	4 = 1"
212NL = Full Port Straight Meter Valve	K = Kitec Compression	5 = 1 1/4"	K = Kitec Compression	5 = 1 1/4"
214NL = Reduced Port Angle Meter Valve	F = Female Iron Pipe	6 = 1 1/2"	F = Female Iron Pipe	6 = 1 1/2"
224NL = Reduced Port Straight Meter Valve	PE = PEP Campak	7 = 2"	T = Swivel Nut	7 = 2"
230NL = Full Port Double Curb Stop w L/W	PJ = PVC Campak		HE = CB Compression Elec. Tail	
234NL = Reduced Port Double Curb Stop w/LW	GJ = Grip Joint		CE = Copper Flare Elec. Tail	
252NL = Open Right	HE = CB Compression Elec. Tail		MF = Meter Flange	
253NL = Open Right with Drain	CE = Copper Flare Elec. Tail		PE = PEP Campak	
272NL = Double Curb Stop	KE = Kitec Elec. Tail		PJ = PVC Campak	
272NL = Double Curb Stop with Drain	IP = Iron Pipe Connection		GJ = Grip Joint	
274NL = Reduced Port Double Curb Stop			IP = Iron Pipe Compression	
			P = Female Copper Flare	

Ball Style Angle Valves - Full Port

Rated for 300 PSI - 5/8", 5/8" x 3/4", 1", 1 1/2" or 2" Meters

Ball style angle meter valves are designed for low turning torques and high pressures (300 PSIG). The no-lead brass ball is supported by two PTFE ball seats. Additionally there are two Buna-N o-rings on the stainless steel blow-out proof stem designed to isolate from line pressure. The end piece joint is permanently sealed with thread locker. The bubble-tight feature at 300 PSIG makes these valves a better choice than a plug valve when test or operating pressures over 100 PSIG are expected. All Cambridge Brass Ball angle meter valves are available with a wide variety of end connections and are manufactured to meet or exceed AWWA C800 (latest version) and NSF 61 & 372 standards, except where noted. Meter swivel nuts are less saddle, have internal threads per AWWA C700 specifications & include a hole for a wire seal, unless otherwise specified. EPDM Gaskets are supplied as standard.

- Angle Ball Valves are non-directional
- Angle Ball Valves include a lockwing for locking in closed position
- 2" oval flanged meter valves have slotted bolt holes to accept 1 1/2" or 2" meters

- Angle Ball Valve operating head rotates 90° open to close
- 3/4" Meter Swivel fits 5/8" x 3/4", or 3/4" meters



Series 210NL

Campak Compression x FIP

Part Number	Inlet Size	Outlet Size	Wt. Each (lbs)	Box Qty	List Price
210NL-B3F3	3/4"	3/4"	2.0	6	\$114.25
210NL-B4F3	1"	3/4"	2.5	6	\$132.74
210NL-B4F4	1"	1"	3.0	8	\$170.16



Series 210NL

Copper Flare x FIP

Part Number	Inlet Size	Outlet Size	Wt. Each (lbs)	Box Qty	List Price
210NL-C3F3	3/4"	3/4"	2.5	10	\$111.35
210NL-C4F3	1"	3/4"	2.8	6	\$132.74
210NL-C4F4	1"	1"	3.1	6	\$165.93



Series 210NL

Campak Compression x Meter Connection

Part Number	Inlet Size	Outlet Size	Wt. Each (lbs)	Box Qty	List Price
210NL-B3T3	3/4"	3/4"	2.4	8	\$124.02
210NL-B4T3	1"	3/4"	2.7	6	\$140.77
210NL-B4T4	1"	1"	3.5	5	\$186.11
210NL-B6MF6	1 1/2"	1 1/2"	10.0	1	\$429.37
210NL-B7MF7	2"	2"	13.3	1	\$544.97



Series 210NL

Copper Flare x Meter Connection

Part Number	Inlet Size	Outlet Size	Wt. Each (lbs)	Box Qty	List Price
210NL-C3T3	3/4"	3/4"	2.5	8	\$120.58
210NL-C4T3	1"	1"	2.9	6	\$130.79
210NL-C4T4	1"	1"	3.6	4	\$179.95
210NL-C6MF6	1 1/2"	1 1/2"	11.1	1	\$410.35
210NL-C7MF7	2"	2"	16.2	1	\$523.25



Series 210NL

FIP x FIP

Part Number	Inlet Size	Outlet Size	Wt. Each (lbs)	Box Qty	List Price
210NL-F3F3	3/4"	3/4"	1.7	10	\$103.50
210NL-F4F3	1"	3/4"	2.1	6	\$104.04
210NL-F4F4	1"	1"	2.8	10	\$153.61

Pricing in U.S. funds.

- Insert stiffeners are required for all connections using plastic flexible pipe see page 71
- For full rotation add R to the end of the part number & add \$2.46 to the price
- For handle add H to end of part number & add \$11.60 to the price
- For tall cap on the ball valve add P to end of part number & add \$3.86 to the price

Ball Style Angle Valves - Full Port

Rated for 300 PSI - 5/8", 5/8" x 3/4", 1", 1 1/2" or 2" Meters

Ball style angle meter valves are designed for low turning torques and high pressures (300 PSIG). The no-lead brass ball is supported by two PTFE ball seats. Additionally there are two Buna-N o-rings on the stainless steel blow-out proof stem designed to isolate from line pressure. The end piece joint is permanently sealed with thread locker. The bubble-tight feature at 300 PSIG makes these valves a better choice than a plug valve when test or operating pressures over 100 PSIG are expected. All Cambridge Brass Ball angle meter valves are available with a wide variety of end connections and are manufactured to meet or exceed AWWA C800 (latest version) and NSF 61 & 372 standards, except where noted. Meter swivel nuts are less saddle, have internal threads per AWWA C700 specifications & include a hole for a wire seal, unless otherwise specified. EPDM Gaskets are supplied as standard.

- Angle Ball Valves are non-directional
- Angle Ball Valves include a lockwing for locking in closed position
- 2" oval flanged meter valves have slotted bolt holes to accept 1 1/2" or 2" meters

- Angle Ball Valve operating head rotates 90° open to close
- 3/4" Meter Swivel fits 5/8" x 3/4", or 3/4" meters

Series 210NL

FIP x Meter Connection



Part Number	Inlet Size	Outlet Size	Wt. Each (lbs)	Box Qty	List Price
210NL-F3T3	3/4"	3/4"	2.0	10	\$112.87
210NL-F4T3	1"	3/4"	2.4	6	\$117.41
210NL-F4T4	1"	1"	3.1	5	\$170.06
210NL-F6MF6	1 1/2"	1 1/2"	8.5	2	\$368.95
210NL-F7MF7	2"	2"	11.0	1	\$435.36

Series 210NL

CB Compression x Meter Connection



Part Number	Inlet Size	Outlet Size	Wt. Each (lbs)	Box Qty	List Price
210NL-H3T3	3/4"	3/4"	2.4	8	\$124.02
210NL-H4T3	1"	3/4"	2.8	6	\$140.77
210NL-H4T4	1"	1"	3.6	6	\$186.11
210NL-H6MF6	1 1/2"	1 1/2"	9.7	1	\$429.37
210NL-H7MF7	2"	2"	12.4	1	\$544.97

Series 210NL

Grip Joint x Meter Connection



Part Number	Inlet Size	Outlet Size	Wt. Each (lbs)	Box Qty	List Price
210NL-GJ3T3	3/4"	3/4"	2.3	10	\$124.02
210NL-GJ4T3	1"	3/4"	2.9	6	\$139.48
210NL-GJ4T4	1"	1"	3.7	5	\$186.11

Series 210NL

Kitec x FIP



Part Number	Inlet Size	Outlet Size	Wt. Each (lbs)	Box Qty	List Price
210NL-K3F3	3/4"	3/4"	2.0	6	\$139.32
210NL-K4F4	1"	1"	3.0	5	\$203.75

Series 210NL

CB Compression x FIP



Part Number	Inlet Size	Outlet Size	Wt. Each (lbs)	Box Qty	List Price
210NL-H3F3	3/4"	3/4"	2.1	6	\$114.25
210NL-H4F3	1"	3/4"	2.3	6	\$132.74
210NL-H4F4	1"	1"	3.0	8	\$170.16

Series 210NL

Kitec x Meter Connection



Part Number	Inlet Size	Outlet Size	Wt. Each (lbs)	Box Qty	List Price
210NL-K3T3	3/4"	3/4"	2.3	8	\$145.86
210NL-K4T3	1"	3/4"	2.9	6	\$172.37
210NL-K4T4	1"	1"	3.7	4	\$219.60

- Insert stiffeners are required for all connections using plastic flexible pipe see page 71
- For full rotation add R to the end of the part number & add \$2.46 to the price
- For handle add H to end of part number & add \$11.60 to the price
- For tall cap on the ball valve add P to end of part number & add \$3.86 to the price

Pricing in U.S. funds.

Ball Style Straight Valves - Full Port

Rated for 300 PSIG - 5/8", 5/8" x 3/4", 3/4", 1", 1 1/2" or 2" Meters

Ball Style Straight Meter Valves come standard with a 90° operating head and are designed for low turning torques and high pressures (300 PSIG). The no-lead brass ball is supported by two PTFE ball seats. Additionally there are two Buna-N o-rings on the stainless steel blow-out proof stem designed to isolate from line pressure. The end piece joint is permanently sealed with thread locker. The bubble-tight feature at 300 PSIG makes these valves a better choice than a plug valve when test or operating pressures over 100 PSIG are expected. All Cambridge Brass meter valves are available with a wide variety of end connections and are manufactured to meet or exceed AWWA C800 (latest version) and NSF 61 & 372 standards, except where noted. Meter swivel nuts are less saddle, have internal threads per AWWA C700 specifications & include a hole for a wire seal, unless otherwise specified. EPDM Gaskets are supplied as standard.

- Straight Ball Valves are non-directional
- Straight Ball Valves include lockwing for locking in close position
1 1/2" or 2" meters

- Straight Ball Valve operating head rotates 90° open to close
- 3/4" Meter Swivel fits 5/8" x 3/4", or 3/4" meters

Series 212NL

Campak x Campak Connection with lockwing



Part Number	Inlet Size	Outlet Size	Wt. Each (lbs)	Box Qty	List Price
212NL-B3B3	3/4"	3/4"	2.5	8	\$111.71
212NL-B4B4	1"	1"	3.6	5	\$166.17
212NL-B6B6	1 1/2"	1 1/2"	7.6	2	\$393.08
212NL-B7B7	2"	2"	13.9	1	\$551.07

Series 212NL

Campak Connection x Meter Connection with lockwing



Part Number	Inlet Size	Outlet Size	Wt. Each (lbs)	Box Qty	List Price
212NL-B3T3	3/4"	3/4"	2.5	6	\$112.70
212NL-B4T3	1"	3/4"	2.8	6	\$121.83
212NL-B4T4	1"	1"	3.4	5	\$166.54
212NL-B6MF6	1 1/2"	1 1/2"	10.0	2	\$297.79
212NL-B7MF7	2"	2"	13.5	1	\$504.51

Series 212NL

Campak Connection x FIP with lockwing



Part Number	Inlet Size	Outlet Size	Wt. Each (lbs)	Box Qty	List Price
212NL-B3F3	3/4"	3/4"	2.1	10	\$98.43
212NL-B4F3	1"	3/4"	2.4	8	\$110.00
212NL-B4F4	1"	1"	2.9	8	\$149.35
212NL-B6F6	1 1/2"	1 1/2"	8.0	2	\$321.62
212NL-B7F7	2"	2"	11.1	2	\$445.73

Series 212NL

Copper Flare x FIP with lockwing



Part Number	Inlet Size	Outlet Size	Wt. Each (lbs)	Box Qty	List Price
212NL-C3F3	3/4"	3/4"	2.1	10	\$102.97
212NL-C4F3	1"	3/4"	2.4	6	\$115.06
212NL-C4F4	1"	1"	3.1	6	\$143.86

Series 212NL

Copper Flare x Meter Connection with lockwing



Part Number	Inlet Size	Outlet Size	Wt. Each (lbs)	Box Qty	List Price
212NL-C3T3	3/4"	3/4"	2.5	6	\$107.94
212NL-C4T3	1"	3/4"	2.8	4	\$118.91
212NL-C4T4	1"	1"	6.3	4	\$160.58

- All meter valves come standard with lockwing
- Insert stiffeners are required for all connections using plastic flexible pipe see page 71
- For full rotation add R to the end of the part number & add \$2.46 to the price
- For handle add H to end of part number & add \$11.60 to the price
- For tall cap on the ball valve add P to end of part number & add \$3.86 to the price

Pricing in U.S. funds.

Ball Style Straight Valves - Full Port

Rated for 300 PSIG - 5/8", 5/8" x 3/4", 3/4", 1", 1 1/2" or 2" Meters

Ball Style Straight Meter Valves come standard with a 90° operating head and are designed for low turning torques and high pressures (300 PSIG). The no-lead brass ball is supported by two PTFE ball seats. Additionally there are two Buna-N o-rings on the stainless steel blow-out proof stem designed to isolate from line pressure. The end piece joint is permanently sealed with thread locker. The bubble-tight feature at 300 PSIG makes these valves a better choice than a plug valve when test or operating pressures over 100 PSIG are expected. All Cambridge Brass meter valves are available with a wide variety of end connections and are manufactured to meet or exceed AWWA C800 (latest version) and NSF 61 & 372 standards, except where noted. Meter swivel nuts are less saddle, have internal threads per AWWA C700 specifications & include a hole for a wire seal, unless otherwise specified. EPDM Gaskets are supplied as standard.

- Straight Ball Valves are non-directional
- Straight Ball Valves include lockwing for locking in close position
- 1 1/2" or 2" meters

- Straight Ball Valve operating head rotates 90° open to close
- 3/4" Meter Swivel fits 5/8" x 3/4", or 3/4" meters

Series 212NL

FIP x FIP with lockwing



Part Number	Inlet Size	Outlet Size	Wt. Each (lbs)	Box Qty	List Price
212NL-F3F3	3/4"	3/4"	1.8	10	\$87.54
212NL-F4F3	1"	3/4"	2.0	10	\$93.81
212NL-F4F4	1"	1"	2.4	10	\$134.16
212NL-F5F5	1 1/4"	1 1/4"	6.7	2	\$213.14
212NL-F6F6	1 1/2"	1 1/2"	6.3	2	\$271.44
212NL-F7F7	2"	2"	9.1	2	\$395.23

Series 212NL

FIP x Meter Connection with lockwing



Part Number	Inlet Size	Outlet Size	Wt. Each (lbs)	Box Qty	List Price
212NL-F3T3	3/4"	3/4"	2.1	10	\$100.26
212NL-F4T3	1"	3/4"	2.3	8	\$105.01
212NL-F4T4	1"	1"	3.0	6	\$149.93
212NL-F6MF6	1 1/2"	1 1/2"	8.2	2	\$281.33
212NL-F7MF7	2"	2"	11.2	1	\$448.64

Series 212NL

Grip Joint x FIP with lockwing



Part Number	Inlet Size	Outlet Size	Wt. Each (lbs)	Box Qty	List Price
212NL-GJ3F3	3/4"	3/4"	2.1	10	\$98.47
212NL-GJ4F3	1"	3/4"	2.5	8	\$110.00
212NL-GJ4F4	1"	1"	2.9	8	\$149.41

Series 212NL

Grip Joint x Meter Connection with lockwing



Part Number	Inlet Size	Outlet Size	Wt. Each (lbs)	Box Qty	List Price
212NL-GJ3T3	3/4"	3/4"	2.4	6	\$112.70
212NL-GJ4T3	1"	3/4"	2.8	6	\$121.83
212NL-GJ4T4	1"	1"	3.5	5	\$166.54

Series 212NL

CB Compression x FIP with lockwing



Part Number	Inlet Size	Outlet Size	Wt. Each (lbs)	Box Qty	List Price
212NL-H3F3	3/4"	3/4"	2.1	10	\$98.47
212NL-H4F3	1"	3/4"	2.5	8	\$110.01
212NL-H4F4	1"	1"	2.9	8	\$149.41
212NL-H5F5	1 1/4"	1 1/4"	6.9	2	\$204.12
212NL-H6F6	1 1/2"	1 1/2"	7.5	2	\$321.62
212NL-H7F7	2"	2"	10.5	2	\$445.73

- All meter valves come standard with lockwing
- Insert stiffeners are required for all connections using plastic flexible pipe see page 71
- For full rotation add R to the end of the part number & add \$2.46 to the price
- For handle add H to end of part number & add \$11.60 to the price
- For tall cap on the ball valve add P to end of part number & add \$3.86 to the price

Pricing in U.S. funds.

Ball Style Straight Valves - Full Port

Rated for 300 PSIG - 5/8", 5/8" x 3/4", 3/4", 1", 1 1/2" or 2" Meters

Ball Style Straight Meter Valves come standard with a 90° operating head and are designed for low turning torques and high pressures (300 PSIG). The no-lead brass ball is supported by two PTFE ball seats. Additionally there are two Buna-N o-rings on the stainless steel blow-out proof stem designed to isolate from line pressure. The end piece joint is permanently sealed with thread locker. The bubble-tight feature at 300 PSIG makes these valves a better choice than a plug valve when test or operating pressures over 100 PSIG are expected. All Cambridge Brass meter valves are available with a wide variety of end connections and are manufactured to meet or exceed AWWA C800 (latest version) and NSF 61 & 372 standards, except where noted. Meter swivel nuts are less saddle, have internal threads per AWWA C700 specifications & include a hole for a wire seal, unless otherwise specified. EPDM Gaskets are supplied as standard.

- Straight Ball Valves are non-directional

- Straight Ball Valves include lockwing for locking in close position
1 1/2" or 2" meters

- Straight Ball Valve operating head rotates 90° open to close

- 3/4" Meter Swivel fits 5/8" x 3/4", or 3/4" meters

Series 212NL

CB Compression x CB Compression



Part Number	Inlet Size	Outlet Size	Wt. Each (lbs)	Box Qty	List Price
212NL-H3H3	3/4"	3/4"	2.5	10	\$111.71
212NL-H4H3	1"	3/4"	2.7	6	\$120.94
212NL-H4H4	1"	1"	3.0	4	\$166.17
212NL-H5H5	1 1/4"	1 1/4"	7.6	2	\$250.81
212NL-H6H6	1 1/2"	1 1/2"	8.9	2	\$393.08
212NL-H7H7	2"	2"	12.4	2	\$551.07

Series 212NL

Kitec x FIP



Part Number	Inlet Size	Outlet Size	Wt. Each (lbs)	Box Qty	List Price
212NL-K3F3	3/4"	3/4"	3.1	6	\$122.89
212NL-K4F3	1"	3/4"	2.5	6	\$172.78
212NL-K4F4	1"	1"	6.3	6	\$183.00

Series 212NL

CB Compression x Meter Connection



Part Number	Inlet Size	Outlet Size	Wt. Each (lbs)	Box Qty	List Price
212NL-H3T3	3/4"	3/4"	2.4	10	\$112.70
212NL-H4T3	1"	3/4"	2.8	6	\$121.83
212NL-H4T4	1"	1"	3.5	6	\$166.54
212NL-H6MF6	1 1/2"	1 1/2"	10.1	2	\$297.80
212NL-H7MF7	2"	2"	13.0	1	\$504.53

Series 212NL

Kitec x Meter Connection



Part Number	Inlet Size	Outlet Size	Wt. Each (lbs)	Box Qty	List Price
212NL-K3T3	3/4"	3/4"	3.8	6	\$137.11
212NL-K4T3	1"	3/4"	2.9	6	\$186.94
212NL-K4T4	1"	1"	3.7	6	\$251.48

Series 212NL

PVC Campak x Meter Swivel Nut

Part Number	Inlet Size	Outlet Size	Wt. Each (lbs)	Box Qty	List Price
212NL-PJ3T3	3/4"	3/4"	2.4	8	\$129.60
212NL-PJ4T4	1"	1"		5	\$191.52

Pricing in U.S. funds.

- All meter valves come standard with lockwing
- Insert stiffeners are required for all connections using plastic flexible pipe see page 71
- For full rotation add R to the end of the part number & add \$2.46 to the price
- For handle add H to end of part number & add \$11.60 to the price

Ball Style Angle Valves - Reduced Port

Rated for 300 PSIG - 5/8", 5/8" x 3/4", 1", 1 1/2" or 2" Meters

Ball style angle meter valves are designed for low turning torques and high pressures (300 PSIG). The no-lead brass ball is supported by two PTFE ball seats. Additionally there are two Buna-N o-rings on the stainless steel blow-out proof stem designed to isolate from line pressure. The end piece joint is permanently sealed with thread locker. The bubble-tight feature at 300 PSIG makes these valves a better choice than a plug valve when test or operating pressures over 100 PSIG are expected. All Cambridge Brass Ball angle meter valves are available with a wide variety of end connections and are manufactured to meet or exceed AWWA C800 (latest version) and NSF 61 & 372 standards, except where noted. Meter swivel nuts are less saddle, have internal threads per AWWA C700 specifications & include a hole for a wire seal, unless otherwise specified. EPDM Gaskets are supplied as standard.

- Angle Ball Valves are non-directional
- 3/4" Meter Swivel fits 5/8" x 3/4", or 3/4" meters
- 2" oval flanged meter valves have slotted bolt holes to accept 1 1/2" or 2" meters

- Angle Ball Valve operating head rotates 90° open to close
- Angle Ball Valves include lockwing for locking in close position



Series 214NL Compression x FIP

Part Number	Inlet Size	Outlet Size	Wt. Each (lbs)	Box Qty	List Price
Campak x FIP					
214NL-B3F3	3/4"	3/4"	1.8	10	\$69.57
214NL-B4F4	1"	1"	2.1	6	\$88.16
CB Comp.x FIP					
214NL-H3F3	3/4"	3/4"	1.6	10	\$69.57
Haystite x FIP					
214NL-J3F3	3/4"	3/4"	1.8	10	\$69.57
Grip Joint x FIP					
214NL-GJ3F3	3/4"	3/4"	1.8	10	\$69.57



Series 214NL Compression x MTN

Part Number	Inlet Size	Outlet Size	Wt. Each (lbs)	Box Qty	List Price
Campak x MTN					
214NL-B3T3	3/4"	3/4"	1.9	10	\$72.62
CB Comp.x MTN					
214NL-H3T3	3/4"	3/4"	1.9	10	\$72.62
Haystite x MTN					
214NL-J3T3	3/4"	3/4"	1.9	10	\$72.62
Grip Joint x MTN					
214NL-GJ3T3	3/4"	3/4"	1.8	10	\$81.96

- All meter valves come standard with lockwing
- Insert stiffeners are required for all connections using plastic flexible pipe see page 71
- For full rotation add R to the end of the part number & add \$2.46 to the price
- For handle add H to end of part number & add \$11.60 to the price



Series 214NL Copper Flare x FIP

Part Number	Inlet Size	Outlet Size	Wt. Each (lbs)	Box Qty	List Price
214NL-C3F3	3/4"	3/4"	1.7	10	\$65.95

Series 214NL Copper Flare x Meter Connection

Part Number	Inlet Size	Outlet Size	Wt. Each (lbs)	Box Qty	List Price
214NL-C3T3	3/4"	3/4"	1.9	10	\$78.55



Series 214NL FIP x FIP

Part Number	Inlet Size	Outlet Size	Wt. Each (lbs)	Box Qty	List Price
214NL-F3F3	3/4"	3/4"	1.2	10	\$58.20



Series 214NL FIP x FIP

Part Number	Inlet Size	Outlet Size	Wt. Each (lbs)	Box Qty	List Price
214NL-F3T1	3/4"	3/4"	1.2	15	\$71.84
214NL-F3T3	3/4"	3/4"	1.5	15	\$68.11
214NL-F4T4	1"	1"	2.4	8	\$124.04

Pricing in U.S. funds.

Ball Style Straight Meter Valves - Reduced Port

Rated for 300 PSI for 5/8", 5/8" x 3/4", 3/4", 1", 1 1/2" or 2" Meters

Ball style Straight Meter Valves are designed for low turning torques and high pressures (300 PSIG). The no-lead brass ball is supported by two PTFE ball seats. Additionally there are two Buna-N o-rings on the stainless steel blow-out proof stem designed to isolate from line pressure. The end piece joint is permanently sealed with thread locker. The bubble-tight feature at 300 PSIG makes these valves a better choice than a plug valve when test or operating pressures over 100 PSIG are expected. All Cambridge Brass Ball Valve style straight meter valves are available with a wide variety of end connections and are manufactured to meet or exceed AWWA C800 (latest version) and NSF 61 & 372 standards, except where noted. Meter swivel nuts are less saddle, have internal straight threads per AWWA C700, and include hole for wire seal unless otherwise indicated. Rubber gaskets are supplied and are standard.

- Straight ball valve operating head rotates 90° open to close
- All angle ball valves have a lockwing for locking in closed position

- Straight meter ball valves are non-directional
- 2" Oval flange is drilled for both 1 1/2" and 2" meters

Series 224NL

CB Compression x FIP



Part Number	Inlet Size	Outlet Size	Lay Lgth	Wt. Each (lbs)	Box Qty	List Price
224NL-B3F3	3/4"	3/4"	3.26"	1.6	10	\$65.20
224NL-3F3S3530	3/4"	3/4"	3.53"	1.7	10	\$67.17
224NL-3F3S4080	3/4"	1"	4.08"	1.7	10	\$67.17
224NL-3F3S4330	3/4"	1 1/4"	4.33"	1.7	10	\$67.17
224NL-B4F4	1"	1 1/2"	3.67"	2.9	8	\$112.82

Series 224NL

CB Compression x FIP



Part Number	Inlet Size	Outlet Size	Lay Lgth	Wt. Each (lbs)	Box Qty	List Price
224NL-H3F3	3/4"	3/4"	3.26"	1.5	10	\$65.20
224NL-3F3S3530	3/4"	3/4"	3.53"	1.7	10	\$67.17
224NL-3F3S4080	3/4"	3/4"	4.08"	1.7	10	\$67.17
224NL-F3S4330	3/4"	3/4"	4.33"	1.7	10	\$67.17
224NL-H4F4	1"	1"	3.67"	2.9	8	\$112.82

Series 224NL

Copper Flare x FIP



Part Number	Inlet Size	Outlet Size	Lay Lgth	Wt. Each (lbs)	Box Qty	List Price
224NL-C3F3	3/4"	3/4"	3.57"	1.7	10	\$61.57
224NL-3F3S4330	3/4"	3/4"	4.33"	1.7	10	\$76.17

Series 224NL

Copper Flare x Copper Flare



Part Number	Inlet Size	Outlet Size	Wt. Each (lbs)	Box Qty	Price
224NL-C3C3	3/4"	3/4"	1.9	8	\$85.29

Series 224NL

FIP x FIP



Part Number	Inlet Size	Outlet Size	Lay Lgth	Wt. Each (lbs)	Box Qty	List Price
224NL-F1F1	1/2"	1/2"	2.54"	1.0	15	\$55.14
224NL-F3F3	3/4"	3/4"	2.99"	1.3	15	\$55.14
224NL-3F3S3470	3/4"	3/4"	3.47"	1.4	15	\$59.90
224NL-3F3S3750	3/4"	3/4"	3.75"	1.6	15	\$59.90
224NL-F4F4	1"	1"	3.63"	2.4	10	\$97.30

Series 224NL

Copper Flare x Meter Connection



Part Number	Inlet Size	Outlet Size	Wt. Each (lbs)	Box Qty	Price
224NL-C3T3	3/4"	3/4"	1.8	10	\$ 68.87

Pricing in U.S. funds.

- All meter valves come standard with lockwing
- Insert stiffeners are required for all connections using plastic flexible pipe see page 71
- For full rotation add R to the end of the part number & add \$2.46 to the price
- For handle add H to end of part number & add \$11.60 to the price

Ball Style Straight Meter Valves - Reduced Port

Rated for 300 PSI for 5/8", 5/8" x 3/4", 3/4", 1", 1 1/2" or 2" Meters

Ball style Straight Meter Valves are designed for low turning torques and high pressures (300 PSIG). The no-lead brass ball is supported by two PTFE ball seats. Additionally there are two Buna-N o-rings on the stainless steel blow-out proof stem designed to isolate from line pressure. The end piece joint is permanently sealed with thread locker. The bubble-tight feature at 300 PSIG makes these valves a better choice than a plug valve when test or operating pressures over 100 PSIG are expected. All Cambridge Brass Ball Valve style straight meter valves are available with a wide variety of end connections and are manufactured to meet or exceed AWWA C800 (latest version) and NSF 61 & 372 standards, except where noted. Meter swivel nuts are less saddle, have internal straight threads per AWWA C700, and include hole for wire seal unless otherwise indicated. Rubber gaskets are supplied and are standard.

- Straight ball valve operating head rotates 90° open to close
- All angle ball valves have a lockwing for locking in closed position

- Straight meter ball valves are non-directional
- 2" Oval flange is drilled for both 1 1/2" and 2" meters

Series 224NL Compression x Compression



Part Number	Inlet Size	Outlet Size	Wt. Each (lbs)	Box Qty	Price
Campak x Campak					
224NL-B3B3	3/4"	3/4"	2.0	10	\$70.39
CB x CB Compression					
224NL-H3H3	3/4"	3/4"	1.9	10	\$70.39
Haystite x Haystite					
224NL-J3J3	3/4"	3/4"	2.0	10	\$70.39
Grip Joint x Grip Joint					
224NL-GJ3GJ3	3/4"	3/4"	2.0	10	\$70.39

Series 224NL Compression x Meter Connection



Part Number	Inlet Size	Outlet Size	Wt. Each (lbs)	Box Qty	Price
Campak x MTN					
224NL-B3T3	3/4"	3/4"	1.8	10	\$73.64
CB Compression x MTN					
224NL-H3T3	3/4"	3/4"	1.8	10	\$73.64
Haystite x MTN					
224NL-J3T3	3/4"	3/4"	1.8	10	\$73.64
Grip Joint x MTN					
224NL-GJ3T3	3/4"	3/4"	1.8	10	\$73.64

Series 224NL Copper Flare x Copper Flare



Part Number	Inlet Size	Outlet Size	Wt. Each (lbs)	Box Qty	List Price
Campak x MTN					
214NL-B3T3	3/4"	3/4"	1.9	10	\$72.62
CB Comp.x MTN					
214NL-H3T3	3/4"	3/4"	1.9	10	\$72.62
Haystite x MTN					
214NL-J3T3	3/4"	3/4"	1.9	10	\$72.62
Grip Joint x MTN					
214NL-GJ3T3	3/4"	3/4"	1.8	10	\$81.96

Series 224NL Copper Flare x Meter Connection



Part Number	Inlet Size	Outlet Size	Wt. Each (lbs)	Box Qty	List Price
224NL-C3T3	3/4"	3/4"	1.8	10	\$68.87

Series 224NL FIP x Meter Connection

Part Number	Inlet Size	Outlet Size	Wt. Each (lbs)	Box Qty	List Price
224NL-F3T3	3/4"	3/4"	1.5	10	\$61.08
224NL-F3T3S4330	3/4"	3/4"	1.6	10	\$66.50

- All meter valves come standard with lockwing
- Insert stiffeners are required for all connections using plastic flexible pipe see page 71
- For full rotation add R to the end of the part number & add \$2.46 to the price
- For handle add H to end of part number & add \$11.60 to the price

Pricing in U.S. funds.

Plug Style - Angle Valves

Rated for 100 PSIG - 5/8", 5/8" x 3/4" or 1" Meters

Plug Valve Corporation Stops are precision machined to assure a perfect match between the plug and the body. This same machining precision carries over to the threads to assure Cambridge Brass' high quality. Corporation stops come standard with 180° operating head. Use only smooth jawed wrenches on corporation stop bodies and position the wrench only on the flats provided on the bodies. Also position your wrench as close as possible to the threads being tightened to avoid excessive strain or bending moment on the body. Pressure ratings are: 100 PSIG for 3/4" and 1". For applications over 1", Cambridge Brass recommends the use of Ball Valves. Meter swivel nuts are less saddle unless otherwise indicated, have internal straight threads per AWWA C700, and include hole for wire seal unless otherwise indicated. Rubber gaskets are supplied as standard.

- Angle plug valve operating head rotates 180° open to close
- All Angle Plug Valves have locking to lock in closed position

- Plug valves are not directional
- 3/4" Meter Swivel fits 5/8" x 3/4", or 3/4" Meters

Series 292NL Campak Compression x Meter Connection



Part Number	Inlet Size	Outlet Size	Wt. Each (lbs)	Box Qty	List Price
292NL-B3T3	3/4"	3/4"	1.5	12	\$65.03
292NL-B4T3	1"	3/4"	1.8	10	\$71.92
292NL-B4T4	1"	1"	2.3	8	\$88.99

Series 292NL Grip Joint x Meter Connection with lockwing



Part Number	Inlet Size	Outlet Size	Wt. Each (lbs)	Box Qty	List Price
292NL-GJ3T3	3/4"	3/4"	1.4	12	\$65.03
292NL-GJ4T3	1"	3/4"	2.2	8	\$71.92
292NL-GJ4T4	1"	1"	2.5	8	\$88.99

Series 292NL Copper Flare x Meter Connection



Part Number	Inlet Size	Outlet Size	Wt. Each (lbs)	Box Qty	List Price
292NL-C3T3	3/4"	3/4"	1.5	10	\$61.03
292NL-C4T3	1"	3/4"	1.5	10	\$67.77
292NL-C4T4	1"	1"	2.5	8	\$83.11

Series 292NL CB Compression x Meter Connection



Part Number	Inlet Size	Outlet Size	Wt. Each (lbs)	Box Qty	List Price
292NL-H3T3	3/4"	3/4"	1.5	12	\$65.03
292NL-H4T3	1"	3/4"	1.9	10	\$71.92
292NL-H4T4	1"	1"	2.4	8	\$88.99

Series 292NL FIP x Meter Connection



Part Number	Inlet Size	Outlet Size	Wt. Each (lbs)	Box Qty	List Price
292NL-F3T3	3/4"	3/4"	1.2	16	\$50.84
292NL-F4T3	1"	3/4"	1.8	10	\$54.28
292NL-F4T4	1"	1"	2.0	8	\$77.95

Pricing in U.S. funds.

- All meter valves come standard with lockwing
- Insert stiffeners are required for all connections using plastic flexible pipe see page 71
- For full rotation add R to the end of the part number & add \$2.46 to the price
- For handle add H to end of part number & add \$11.60 to the price

Meter Branch Assemblies - Ball Style Reduced Port

Rated for 300 PSIG

Meter Branch assemblies are used in installations requiring 2 meter services in close proximity. Meter swivel nuts are less saddle unless otherwise indicated, have internal straight threads per AWWA C700, and include hole for wire seal unless otherwise indicated. Rubber gaskets are supplied and are standard.

- Angle ball valves operating head rotates 90 degrees open to close unless otherwise indicated

- All Valves have a lockwing to lock in the closed position
 - U-branch assemblies with yoke valves can be found in Iron Yokes section

Angle Meter Branch Assemblies



Series 234NL

Compression x Meter Connection

Part Number	Inlet Size	Outlet Size	Wt. Each (lbs)	Box Qty	Price
CB Compressions x Meter					
234NL-H4T3	1"	3/4"	6.4	5	\$216.65
234NL-H4T36500	1"	3/4"	6.4	5	\$216.65
234NL-H4T37500	1"	3/4"	6.4	5	\$222.94
Campak x Meter					
234NL-B4T3	1"	3/4"	6.4	5	\$216.65
234NL-B4T36500	1"	3/4"	6.4	5	\$216.65
234NL-B4T37500	1"	3/4"	6.4	5	\$222.94
Grip Joint x Meter					
234NL-GJ4T3	1"	3/4"	6.4	5	\$216.65
234NL-J4T36500	1"	3/4"	6.4	5	\$216.65
234NL-J4T37500	1"	3/4"	6.4	5	\$222.94

Straight Meter Branch Assemblies



Series 234NL

Compression x Meter Connection

Part Number	Inlet Size	Outlet Size	Wt. Each (lbs)	Box Qty	Price
CB Compressions x Meter					
274NL-H4T3	1"	3/4"	6.4	5	\$196.29
274NL-H4T36500	1"	3/4"	6.4	5	\$196.29
274NL-H4T37500	1"	3/4"	6.4	5	\$204.94
Campak x Meter					
274NL-B4T3	1"	3/4"	6.4	5	\$196.29
274NL-B4T36500	1"	3/4"	6.4	5	\$196.29
274NL-B4T37500	1"	3/4"	6.4	5	\$204.94
Grip Joint x Meter					
274NL-GJ4T3	1"	3/4"	6.4	5	\$196.29
274NL-GJ4T36500	1"	3/4"	6.4	5	\$196.29
274NL-GJ4T37500	1"	3/4"	6.4	5	\$204.94

- All meter valves come standard with lockwing
- Insert stiffeners are required for all connections using plastic flexible pipe see page 71
- For full rotation add R to the end of the part number & add \$2.46 to the price
- For handle add H to end of part number & add \$11.60 to the price

Pricing in U.S. funds.

Meter Valves

Meter Branch Assemblies - Plug Valves

Rated for 100 PSIG

Meter swivel nuts are less saddle unless otherwise indicated, have internal straight threads per AWWA C700, and include hole for wire seal unless otherwise indicated. Rubber gaskets are supplied and are standard.

- All Valves have a locking to lock in the closed position
- U-branch assemblies with yoke valves can be found in Iron Yokes section

Series 281NL

Campak x Meter Connection with locking



Part Number	Inlet Size	Outlet Size	Wt. Each (lbs)	Box Qty	List Price
281NL-B3T37500	3/4"	3/4"	5.0	5	\$207.63
281NL-B4T37500	1"	3/4"	5.2	5	\$267.70
281NL-H3T37500	3/4"	3/4"	5.0	5	\$207.58
281NL-H4T37500	1"	3/4"	5.2	5	\$267.70

Series 283NL

Copper Flare x Copper Flare with Drain



Part Number	Inlet Size	Outlet Size	Wt. Each (lbs)	Box Qty	List Price
283NL-C2C1	5/8"	1/2"	6.0	1	\$254.30
283NL-C3C1	3/4"	1/2"	8.4	2	\$254.30
283NL-C3C2	3/4"	5/8"	7.5	2	\$254.30

Series 281NL

Copper Flare x Meter Connection with locking



Part Number	Inlet Size	Outlet Size	Wt. Each (lbs)	Box Qty	List Price
281NL-C4T37500	1"	3/4"	5.3	5	\$205.27

Series 283NL

Copper Flare x Copper Flare with Drain



Part Number	Inlet Size	Outlet Size	Wt. Each (lbs)	Box Qty	List Price
283NL-H2H1	5/8"	1/2"	6.9	2	\$241.64

Series 281NL

FIP x Meter Connection with locking



Part Number	Inlet Size	Outlet Size	Wt. Each (lbs)	Box Qty	List Price
281NL-F4T36500	1"	3/4"	4.5	5	\$168.81
281NL-F4T37500	1"	3/4"	4.7	5	\$198.12

Pricing in U.S. funds.

- All meter valves come standard with locking
- Insert stiffeners are required for all connections using plastic flexible pipe see page 71
- For full rotation add R to the end of the part number & add \$2.46 to the price
- For handle add H to end of part number & add \$11.60 to the price



Part Number Format

Example: 1" CB x CB Elbow Coupling = **105NL - H 4 H 4**

Series Number	Inlet Connection	Inlet Size	Outlet Connection	Outlet Size
105NL = Elbow Coupling	H = CB Compression	1 = 1/2"	H = CB Compression	1 = 1/2"
111NL = Insulated Coupling	B = Campak	2 = 5/8"	B = Campak	2 = 5/8"
117NL = Adaptor	J = Haystite	3 = 3/4"	J = Haystite	3 = 3/4"
118NL = Coupling	C = Copper Flare	4 = 1"	C = Copper Flare	4 = 1"
119NL = Full Bore Coupling	K = Kitec Compression	5 = 1 1/4"	K = Kitec Compression	5 = 1 1/4"
120NL = 2 Part Coupling	F = Female Iron Pipe	6 = 1 1/2"	F = Female Iron Pipe	6 = 1 1/2"
150NL = Service Tee	M = Male Iron Pipe	7 = 2"	M = Male Iron Pipe	7 = 2"
151NL = Service Tee x FIP	PE = PEP Campak		PE = PEP Campak	
152NL = Wye Branch	PJ = PVC Campak		PJ = PVC Campak	
155NL = Multi Service Wye	GJ = Grip Joint		GJ = Grip Joint	
171NL = U Branch Vert. Inlet x Horiz. Outlet	HE = CB Compression Elec. Tail		HE = CB Comp. Elec. Tail	
172NL = U Branch	CE = Copper Flare Elec. Tail		CE = Copper Flare Elec. Tail	
	KE = Kitec Elec. Tail		KE = Kitec Elec. Tail	
	IP = Iron Pipe Connection		IP = Iron Pipe Compression	
	SR = Yoke Connection		P = Female Copper Flare	
			SR = Yoke Connection	

Service Line Fittings

Elbows

Rated for 300 PSIG

105 Series Elbows are manufactured by Cambridge Brass to meet or exceed the AWWA C800 (latest revision) and NSF 61 & 372 standards and are 300 PSIG rated. Our service fittings are rated to withstand the same pressures as the tubing they are designed to fit. They are designed and tested for cold potable water only. Rubber gaskets are standard.

Series 105NL

Campak Compression x Campak Compression



Part Number	Inlet Size	Outlet Size	Wt. Each (lbs)	Box Qty	List Price
105NL-B3B3	3/4"	3/4"	1.0	16	\$38.53
105NL-B4B4	1"	1"	1.8	8	\$49.57
105NL-B6B6	1 1/2"	1 1/2"	5.0	4	\$159.05
105NL-B7B7	2"	2"	7.5	4	\$321.79

Series 105NL

Copper Flare x Copper Flare



Part Number	Inlet Size	Outlet Size	Wt. Each (lbs)	Box Qty	List Price
105NL-C3C3	3/4"	3/4"	1.3	16	\$29.34
105NL-C4C4	1"	1"	2.1	8	\$48.84
105NL-C6C6	1 1/2"	1 1/2"	6.5	2	\$205.75
105NL-C7C7	2"	2"	10.7	4	\$283.57

Series 105NL

Campak Compression x FIP



Part Number	Inlet Size	Outlet Size	Wt. Each (lbs)	Box Qty	List Price
105NL-B3F3	3/4"	3/4"	0.9	20	\$34.77
105NL-B4F4	1"	1"	1.1	15	\$56.67
105NL-B6F6	1 1/2"	1 1/2"	2.9	5	\$143.49
105NL-B7F7	2"	2"	4.5	6	\$205.14

Series 105NL

Copper Flare x MIP



Part Number	Inlet Size	Outlet Size	Wt. Each (lbs)	Box Qty	List Price
105NL-C3M3	3/4"	3/4"	1.0	20	\$23.34
105NL-C4M4	1"	1"	1.4	12	\$38.72
105NL-C6M6	1 1/2"	1 1/2"	4.2	4	\$138.71
105NL-C7M7	2"	2"	7.2	6	\$236.44

Series 105NL

Campak Compression x MIP



Part Number	Inlet Size	Outlet Size	Wt. Each (lbs)	Box Qty	List Price
105NL-B3M3	3/4"	3/4"	0.8	20	\$26.82
105NL-B4M4	1"	1"	1.8	8	\$44.64
105NL-B6M6	1 1/2"	1 1/2"	2.9	4	\$129.64
105NL-B7M7	2"	2"	4.5	4	\$185.80

Series 105NL

Copper Flare x FIP



Part Number	Inlet Size	Outlet Size	Wt. Each (lbs)	Box Qty	List Price
105NL-C3F3	3/4"	3/4"	1.0	20	\$26.15
105NL-C4F4	1"	1"	1.4	12	\$43.11

Series 105NL

Grip Joint x Grip Joint



Part Number	Inlet Size	Outlet Size	Wt. Each (lbs)	Box Qty	List Price
105NL-GJ3GJ3	3/4"	3/4"	1.2	20	\$38.53
105NL-GJ4GJ4	1"	1"	1.8	12	\$49.57

Pricing in U.S. funds.

- Insert stiffeners are required for all connections using plastic flexible pipe see page 71
- See installation instructions on page 10

Elbows

Rated for 300 PSIG

105 Series Elbows are manufactured by Cambridge Brass to meet or exceed the AWWA C800 (latest revision) and NSF 61 & 372 standards and are 300 PSIG rated. Our service fittings are rated to withstand the same pressures as the tubing they are designed to fit. They are designed and tested for cold portable water only. Rubber gaskets are standard.

Series 105NL Grip Joint x MIP



Part Number	Inlet Size	Outlet Size	Wt. Each (lbs)	Box Qty	List Price
105NL-GJ3M3	3/4"	3/4"	0.8	20	\$26.82
105NL-GJ4M4	1"	1"	1.3	12	\$44.64

Series 105NL Grip Joint x FIP



Part Number	Inlet Size	Outlet Size	Wt. Each (lbs)	Box Qty	List Price
105NL-GJ3F3	3/4"	3/4"	0.9	20	\$34.77
105NL-GJ4F4	1"	1"	1.5	12	\$56.67

Series 105NL CB Compression x FIP



Part Number	Inlet Size	Outlet Size	Wt. Each (lbs)	Box Qty	List Price
105NL-H3F3	3/4"	3/4"	0.8	20	\$34.77
105NL-H4F4	1"	1"	1.4	12	\$56.67
105NL-H6F6	1 1/2"	1 1/2"	3.4	6	\$143.49
105NL-H7F7	2"	2"	5.3	8	\$205.14

Series 105NL CB x CB Compression



Part Number	Inlet Size	Outlet Size	Wt. Each (lbs)	Box Qty	List Price
105NL-H2H3	5/8"	3/4"	1.0	20	\$34.16
105NL-H3H3	3/4"	3/4"	1.1	20	\$38.53
105NL-H4H4	1"	1"	2.0	12	\$49.57
105NL-H6H6	1 1/2"	1 1/2"	4.0	6	\$159.05
105NL-H7H7	2"	2"	6.0	8	\$321.79

Series 105NL CB Compression x MIP



Part Number	Inlet Size	Outlet Size	Wt. Each (lbs)	Box Qty	List Price
105NL-H3M3	3/4"	3/4"	0.8	20	\$26.82
105NL-H4M4	1"	1"	1.3	16	\$44.64
105NL-H6M6	1 1/2"	1 1/2"	3.2	5	\$129.64
105NL-H7M7	2"	2"	4.9	8	\$185.80

Series 105NL Haystite x FIP



Part Number	Inlet Size	Outlet Size	Wt. Each (lbs)	Box Qty	List Price
105NL-J3F3	3/4"	3/4"	0.9	20	\$34.77
105NL-J4F4	1"	1"	1.4	12	\$56.67

Series 105NL Haystite x Haystite



Part Number	Inlet Size	Outlet Size	Wt. Each (lbs)	Box Qty	List Price
105NL-J3J3	3/4"	3/4"	1.1	16	\$38.53
105NL-J4J4	1"	1"	1.9	8	\$49.57

Series 105NL Haystite x MIP



Part Number	Inlet Size	Outlet Size	Wt. Each (lbs)	Box Qty	List Price
105NL-J3M3	3/4"	3/4"	0.9	20	\$26.82
105NL-J4M4	1"	1"	1.3	12	\$44.64

• Insert stiffeners are required for all connections using plastic flexible pipe see page 71
• See installation instructions on page 10

Pricing in U.S. funds.

Service Line Fittings

Elbows

Rated for 300 PSIG

105 Series Elbows are manufactured by Cambridge Brass to meet or exceed the AWWA C800 (latest revision) and NSF 61 & 372 standards and are 300 PSIG rated. Our service fittings are rated to withstand the same pressures as the tubing they are designed to fit. They are designed and tested for cold portable water only. Rubber gaskets are standard.

Series 105NL

Kitec x Kitec



Part Number	Inlet Size	Outlet Size	Wt. Each (lbs)	Box Qty	List Price
105NL-K3K3	3/4"	3/4"	1.3	16	\$86.58
105NL-K4K4	1"	1"	2.3	8	\$115.50

Series 105NL

PVC Campak x PVC Campak



Part Number	Inlet Size	Outlet Size	Wt. Each (lbs)	Box Qty	List Price
105NL-PJ3PJ3	3/4"	3/4"		16	\$51.54
105NL-PJ4PJ4	1"	1"	3.5	4	\$91.04

Insulated Adaptors

Rated for 300 PSIG

Service Line Fittings are manufactured by Cambridge Brass to meet or exceed the AWWA C800 (latest revision) and NSF 61 & 372 standards and are 300 PSIG rated. Our service fittings are rated to withstand the same pressures as the tubing they are designed to fit. They are designed and tested for cold portable water only. Rubber gaskets are used in our Compression fittings.

Series 110NL

CB Compression x Female

Iron Pipe

Part Number	Inlet Size	Outlet Size	Wt. Each (lbs)	Box Qty	List Price
110NL-H3F3	3/4"	3/4"		12	\$62.26
110NL-H4F4	1"	1"		10	\$86.04
110NL-H6F6	1 1/2"	1 1/2"		3	\$189.68
110NL-H7F7	2"	2"		2	\$300.30

Pricing in U.S. funds.

- Insert stiffeners are required for all connections using plastic flexible pipe see page 71
- See installation instructions on page 10

Insulated Couplings

Rated for 300 PSIG

Cambridge Brass 111 Series Insulated Couplings (also known as Di-Electric Couplings) are used in applications to create a gap in conductivity & prevent electricity from passing through the line. These parts are manufactured by Cambridge Brass to meet or exceed the AWWA C800 (latest revision), NSF 61 & 372 standards and are 300 PSIG rated. Our service fittings are rated to withstand the same pressures as the tubing they are designed to fit. They are designed and tested for cold portable water only. Rubber gaskets are standard.

Series 111NL

Campak x Female Compression



Part Number	Inlet Size	Outlet Size	Wt. Each (lbs)	Box Qty	List Price
111NL-B3O3	3/4"	3/4"	1.3	15	\$66.66
111NL-B4O4	1"	1"	2.6	12	\$92.12
111NL-B6O6	1 1/2"	1 1/2"	5.7	3	\$210.76
111NL-B7O7	2"	2"	9.4	2	\$355.11

Series 117NL

Campak x Female Compression

Part Number	Inlet Size	Outlet Size	Wt. Each (lbs)	Box Qty	List Price
117NL-B4O3	1"	3/4"		20	\$ 47.67

Series 111NL

Copper Flare x Female Copper Flare Thread



Part Number	Inlet Size	Outlet Size	Wt. Each (lbs)	Box Qty	List Price
111NL-C3P3	3/4"	3/4"	1.6	15	\$58.45
111NL-C4P4	1"	1"	2.3	8	\$86.84
111NL-C6P6	1 1/2"	1 1/2"	5.9	3	\$202.26
111NL-C7P7	2"	2"	9.1	2	\$355.11

Series 117NL

Female Compression Thread x MIP



Part Number	Inlet Size	Outlet Size	Wt. Each (lbs)	Box Qty	List Price
117NL-O3M3	3/4"	3/4"	0.42	25	\$36.54
117NL-O4M4	1"	1"	0.85	20	\$54.49
117NL-O6M6	1 1/2"	1 1/2"	2.5	12	\$96.02
117NL-O7M7	2"	2"	4.3	4	\$135.35

Series 111NL

CB Compression x Female Compression Thread



Part Number	Inlet Size	Outlet Size	Wt. Each (lbs)	Box Qty	List Price
111NL-H3O3	3/4"	3/4"	1.3	15	\$66.66
111NL-H4O4	1"	1"	2.5	10	\$92.12
111NL-H6O6	1 1/2"	1 1/2"	5.5	3	\$210.77
111NL-H7O7	2"	2"	9.2	2	\$355.11

• Insert stiffeners are required for all connections using plastic flexible pipe see page 71
 • See installation instructions on page 10

Pricing in U.S. funds.

Service Line Fittings

Couplings & Adaptors

Rated for 300 PSIG

Service Line Fittings are manufactured by Cambridge Brass to meet or exceed the AWWA C800 (latest revision) and NSF 61 & 372 standards and are 300 PSIG rated. Our service fittings are rated to withstand the same pressures as the tubing they are designed to fit. They are designed and tested for cold portable water only. Rubber gaskets are standard.

Service Line Fittings

Series 117NL

Campak x FIP Adaptors



Part Number	Inlet Size	Outlet Size	Wt. Each (lbs)	Box Qty	List Price
117NL-B1F1	1/2"	1/2"	0.6	30	\$27.20
117NL-B1F3	1/2"	3/4"	0.8	25	\$29.29
117NL-B2F3	5/8"	3/4"	0.5	25	\$27.21
117NL-B3F1	3/4"	1/2"	0.9	25	\$24.50
117NL-B3F3	3/4"	3/4"	0.7	25	\$25.76
117NL-B3F4	3/4"	1"	1.2	25	\$30.68
117NL-B4F3	1"	3/4"	1.2	20	\$30.36
117NL-B4F4	1"	1"	1.1	20	\$34.95
117NL-B5F4	1 1/4"	1"	1.8	10	\$54.48
117NL-B5F5	1 1/4"	1 1/4"	2.0	10	\$63.82
117NL-B6F6	1 1/2"	1 1/2"	2.6	6	\$101.68
117NL-B7F7	2"	2"	3.8	4	\$121.04

Series 117NL

Campak x MIP Adaptors



Part Number	Inlet Size	Outlet Size	Wt. Each (lbs)	Box Qty	List Price
117NL-B1M1	1/2"	1/2"	0.6	35	\$23.78
117NL-B1M3	1/2"	3/4"	0.7	30	\$23.82
117NL-B2M1	5/8"	1/2"	0.8	25	\$24.49
117NL-B2M3	5/8"	3/4"	0.8	25	\$28.24
117NL-B3M1	3/4"	1/2"	0.8	25	\$22.58
117NL-B3M3	3/4"	3/4"	0.7	25	\$24.50
117NL-B3M4	3/4"	1"	0.8	25	\$26.75
117NL-B4M3	1"	3/4"	1.0	20	\$27.12
117NL-B4M4	1"	1"	1.0	20	\$29.02
117NL-B5M4	1 1/4"	1"	1.6	12	\$51.72
117NL-B5M5	1 1/4"	1 1/4"	2.4	6	\$55.48
117NL-B6M6	1 1/2"	1 1/2"	2.4	6	\$79.49
117NL-B7M7	2"	2"	3.3	5	\$115.81

Series 117NL

Campak x Female Copper Flare Thread Adaptors - Copper washer included



Part Number	Inlet Size	Outlet Size	Wt. Each (lbs)	Box Qty	List Price
117NL-B2P2	5/8"	5/8"	0.6	40	\$31.20
117NL-B3P2	3/4"	5/8"	0.6	32	\$31.16
117NL-B3P3	3/4"	3/4"	0.9	25	\$27.89
117NL-B4P4	1"	1"	1.3	15	\$40.97
117NL-B4P5	1"	1 1/4"	1.4	15	\$48.23
117NL-B6P6	1 1/2"	1 1/2"	2.5	5	\$94.68
117NL-B7P7	2"	2"	3.4	4	\$147.65

Series 117NL

Copper Flare x FIP Adaptors



Part Number	Inlet Size	Outlet Size	Wt. Each (lbs)	Box Qty	List Price
117NL-C1F1	1/2"	1/2"	0.6	30	\$24.06
117NL-C1F3	1/2"	3/4"	1.2	25	\$24.06
117NL-C2F3	5/8"	3/4"	0.7	25	\$24.06
117NL-C3F3	3/4"	3/4"	0.8	25	\$21.52
117NL-C3F4	3/4"	1"	1.0	25	\$28.19
117NL-C4F3	1"	3/4"	1.4	25	\$32.99
117NL-C4F4	1"	1"	1.3	15	\$32.94
117NL-C6F6	1 1/2"	1 1/2"	3.0	5	\$88.34
117NL-C7F7	2"	2"	5.5	4	\$166.37

Pricing in U.S. funds.

- Insert stiffeners are required for all connections using plastic flexible pipe see page 71
- See installation instructions on page 10

Couplings & Adaptors

Rated for 300 PSIG

Service Line Fittings are manufactured by Cambridge Brass to meet or exceed the AWWA C800 (latest revision) and NSF 61 & 372 standards and are 300 PSIG rated. Our service fittings are rated to withstand the same pressures as the tubing they are designed to fit. They are designed and tested for cold portable water only. Rubber gaskets are standard.

Series 117NL

Copper Flare x MIP Adaptors



Part Number	Inlet Size	Outlet Size	Wt. Each (lbs)	Box Qty	List Price
117NL-C1M1	1/2"	1/2"	0.6	25	\$14.31
117NL-C1M3	1/2"	3/4"	0.6	25	\$17.15
117NL-C2M1	5/8"	1/2"	0.7	25	\$20.45
117NL-C2M3	5/8"	3/4"	0.6	25	\$21.60
117NL-C3M1	3/4"	1/2"	0.8	25	\$21.27
117NL-C3M3	3/4"	3/4"	0.8	25	\$21.78
117NL-C3M4	3/4"	1"	0.9	15	\$25.06
117NL-C4M3	1"	3/4"	1.2	15	\$33.23
117NL-C4M4	1"	1"	1.2	15	\$31.11
117NL-C5M5	1 1/4"	1 1/4"	2.6	10	\$62.00
117NL-C6M6	1 1/2"	1 1/2"	3.0	5	\$95.95
117NL-C7M7	2"	2"	5.3	6	\$176.10

Series 117NL

Copper Flare x Female Copper Flare Adaptors - Copper washer included



Part Number	Inlet Size	Outlet Size	Wt. Each (lbs)	Box Qty	List Price
117NL-C1P3	1/2"	3/4"	0.9	36	\$18.17
117NL-C3P4	3/4"	1"	1.3	18	\$32.65
117NL-C4P3	1"	3/4"	1.0	24	\$32.99

Series 117NL

FIP x Female Copper Flare Adaptors



Part Number	Inlet Size	Outlet Size	Wt. Each (lbs)	Box Qty	List Price
117NL-F3P3	3/4"	3/4"	0.6	36	\$17.79
117NL-F4P4	1"	1"	0.8	24	\$30.06
117NL-F6P6	1 1/2"	1 1/2"	1.8	10	\$63.97
117NL-F7P7	2"	2"	2.3	6	\$109.63

Series 117NL

FIP x Female Compression Adaptors



Part Number	Inlet Size	Outlet Size	Wt. Each (lbs)	Box Qty	List Price
117NL-F6O6	1 1/2"	1 1/2"	2.9	10	\$104.40
117NL-F7O7	2"	2"	3.8	6	\$124.85

Series 117NL

Female Lead x CB Adaptors



Part Number	Inlet Size	Outlet Size	Wt. Each (lbs)	Box Qty	List Price
117NL-FL2H3	5/8"	3/4"	0.8	30	\$45.30
117NL-FL3H3	3/4"	3/4"	0.9	24	\$42.43

Series 117NL

Grip Joint x FIP Adaptors



Part Number	Inlet Size	Outlet Size	Wt. Each (lbs)	Box Qty	List Price
117NL-GJ3F1	3/4"	1/2"	0.9	25	\$24.50
117NL-GJ3F3	3/4"	3/4"	0.8	25	\$25.76
117NL-GJ3F4	3/4"	1"	1.4	20	\$30.68
117NL-GJ4F3	1"	3/4"	1.4	20	\$30.36
117NL-GJ4F4	1"	1"	1.4	16	\$34.95

Series 117NL

Grip Joint x MIP Adaptors



Part Number	Inlet Size	Outlet Size	Wt. Each (lbs)	Box Qty	List Price
117NL-GJ3M1	3/4"	1/2"	0.8	25	\$22.58
117NL-GJ3M3	3/4"	3/4"	0.6	25	\$24.50
117NL-GJ3M4	3/4"	1"	0.7	20	\$26.75
117NL-GJ4M3	1"	3/4"	1.4	20	\$27.12
117NL-GJ4M4	1"	1"	1.1	16	\$29.02

• Insert stiffeners are required for all connections using plastic flexible pipe see page 71
 • See installation instructions on page 10

Pricing in U.S. funds.

Service Line Fittings

Couplings & Adaptors

Rated for 300 PSIG

Service Line Fittings are manufactured by Cambridge Brass to meet or exceed the AWWA C800 (latest revision) and NSF 61 & 372 standards and are 300 PSIG rated. Our service fittings are rated to withstand the same pressures as the tubing they are designed to fit. They are designed and tested for cold portable water only. Rubber gaskets are standard.

Series 117NL

Grip Joint x Female Copper Flare
Thread Adaptors - Copper
washer included



Part Number	Inlet Size	Outlet Size	Wt. Each (lbs)	Box Qty	List Price
117NL-GJ3P3	3/4"	3/4"	1.0	25	\$27.89
117NL-GJ4P4	1"	1"	1.4	15	\$40.97

Series 117NL

CB Compression x FIP Adaptor



Part Number	Inlet Size	Outlet Size	Wt. Each (lbs)	Box Qty	List Price
117NL-H1F1	1/2"	1/2"	0.6	30	\$27.20
117NL-H1F3	1/2"	3/4"	0.6	30	\$27.20
117NL-H2F3	5/8"	3/4"	0.7	25	\$27.20
117NL-H3F1	3/4"	1/2"	0.7	25	\$24.50
117NL-H3F3	3/4"	3/4"	0.8	25	\$25.76
117NL-H3F4	3/4"	1"	0.9	25	\$30.68
117NL-H4F3	1"	3/4"	1.4	20	\$30.36
117NL-H4F4	1"	1"	1.2	20	\$34.95
117NL-H5F4	1 1/4"	1	1.8	10	\$54.48
117NL-H5F5	1 1/4"	1 1/4"	2.0	10	\$63.82
117NL-H6F6	1 1/2"	1 1/2"	2.3	10	\$101.68
117NL-H7F7	2"	2"	3.1	4	\$121.04

Series 117NL

CB Compression x MIP Adaptors



Part Number	Inlet Size	Outlet Size	Wt. Each (lbs)	Box Qty	List Price
117NL-H1M1	1/2"	1/2"	0.6	40	\$23.78
117NL-H1M3	1/2"	3/4"	0.7	30	\$23.82
117NL-H2M1	5/8"	1/2"	0.6	25	\$24.49
117NL-H2M3	5/8"	3/4"	0.7	25	\$28.24
117NL-H3M1	3/4"	1/2"	0.7	25	\$22.58
117NL-H3M3	3/4"	3/4"	0.7	25	\$24.50
117NL-H3M4	3/4"	1"	0.8	25	\$26.75
117NL-H4M3	1"	3/4"	1.1	20	\$27.12
117NL-H4M4	1"	1"	1.1	20	\$29.02
117NL-H5M4	1 1/4"	1"	2.1	12	\$51.72
117NL-H5M5	1 1/4"	1 1/4"	2.5	10	\$55.48
117NL-H6M4	1 1/2"	1"		10	\$71.79
117NL-H6M5	1 1/2"	1 1/4"	1.8	10	\$72.19
117NL-H6M6	1 1/2"	1 1/2"	2.0	10	\$79.49
117NL-H7M7	2"	2"	2.8	5	\$115.81

Series 117NL

CB Compression x Female
Compression Thread



Part Number	Inlet Size	Outlet Size	Wt. Each (lbs)	Box Qty	Price
117NL-H4O3	1"	3/4"	1.2	20	\$47.67
117NL-H5O3	1 1/4"	3/4"	2.5	9	\$97.34
117NL-H7O6	2"	1 1/2"		4	\$286.92

Pricing in U.S. funds.

• Insert stiffeners are required for all connections using plastic flexible pipe see page 71
• See installation instructions on page 10

Couplings & Adaptors

Rated for 300 PSIG

Service Line Fittings are manufactured by Cambridge Brass to meet or exceed the AWWA C800 (latest revision) and NSF 61 & 372 standards and are 300 PSI rated. Our service fittings are rated to withstand the same pressures as the tubing they are designed to fit. They are designed and tested for cold portable water only. Rubber gaskets are standard.

Series 117NL

CB Compression x Female Copper Flare Adaptors - Copper washer included



Part Number	Inlet Size	Outlet Size	Wt. Each (lbs)	Box Qty	List Price
117NL-H2P2	5/8"	5/8"	0.6	40	\$31.20
117NL-H3P2	3/4"	5/8"	0.7	40	\$31.16
117NL-H3P3	3/4"	3/4"	1.0	25	\$27.89
117NL-H3P4	3/4"	1"	0.9	24	\$34.77
117NL-H4P3	1"	3/4"	1.1	15	\$32.50
117NL-H4P4	1"	1"	1.5	15	\$40.97
117NL-H6P6	1 1/2"	1 1/2"	2.9	5	\$94.68

Series 117NL

IP (Galvanized Pipe) X FIP



Part Number	Inlet Size	Outlet Size	Wt. Each (lbs)	Box Qty	List Price
117NL-IP2F1	5/8"	1/2"	0.9	40	\$41.56
117NL-IP3F3	3/4"	3/4"	1.3	24	\$29.35
117NL-IP4F3	1"	3/4"	1.4	12	\$40.60
117NL-IP4F4	1"	1"	1.7	12	\$42.44

Series 117NL

IP (Galvanized Pipe) X MIP



Part Number	Inlet Size	Outlet Size	Wt. Each (lbs)	Box Qty	List Price
117NL-IP1M1	1/2"	1/2"	0.7	40	\$24.66
117NL-IP3M3	3/4"	3/4"	1.1	24	\$29.59
117NL-IP3M4	3/4"	1"	1.3	12	\$43.52
117NL-IP4M4	1"	1"	1.4	12	\$45.15

Series 117NL

Haystite x FIP Adaptors



Part Number	Inlet Size	Outlet Size	Wt. Each (lbs)	Box Qty	List Price
117NL-J3F1	3/4"	1/2"	0.9	25	\$24.50
117NL-J3F3	3/4"	3/4"	0.9	25	\$25.76
117NL-J3F4	3/4"	1"	1.4	25	\$30.68
117NL-J4F3	1"	3/4"	1.4	20	\$30.36
117NL-J4F4	1"	1"	1.2	15	\$34.95

Series 117NL

Haystite x MIP Adaptors



Part Number	Inlet Size	Outlet Size	Wt. Each (lbs)	Box Qty	List Price
117NL-J3M1	3/4"	1/2"	0.8	25	\$22.58
117NL-J3M3	3/4"	3/4"	0.7	25	\$24.50
117NL-J3M4	3/4"	1"	0.8	25	\$26.75
117NL-J4M3	1"	3/4"	1.4	20	\$27.12
117NL-J4M4	1"	1"	1.1	15	\$29.02

Series 117NL

Kitec x FIP Adaptors



Part Number	Inlet Size	Outlet Size	Wt. Each (lbs)	Box Qty	List Price
117NL-K3F3	3/4"	3/4"	0.9	25	\$50.16
117NL-K3F4	3/4"	1"	1.4	25	\$52.49
117NL-K4F3	1"	3/4"	1.4	20	\$63.61
117NL-K4F4	1"	1"	1.4	20	\$68.60

Series 117NL

Kitec x MIP Adaptors



Part Number	Inlet Size	Outlet Size	Wt. Each (lbs)	Box Qty	List Price
117NL-K3M3	3/4"	3/4"	0.8	25	\$48.86
117NL-K3M4	3/4"	1"	0.8	25	\$51.13
117NL-K4M3	1"	3/4"	1.2	18	\$60.73
117NL-K4M4	1"	1"	1.2	18	\$62.60

- Insert stiffeners are required for all connections using plastic flexible pipe see page 71
- See installation instructions on page 10

Pricing in U.S. funds.

Service Line Fittings

Couplings & Adaptors

Rated for 300 PSIG

Service Line Fittings are manufactured by Cambridge Brass to meet or exceed the AWWA C800 (latest revision) and NSF 61 & 372 standards and are 300 PSIG rated. Our service fittings are rated to withstand the same pressures as the tubing they are designed to fit. They are designed and tested for cold portable water only. Rubber gaskets are standard.

Series 117NL

Kitec x Female Copper Flare Adaptors - Copper washer included



Part Number	Inlet Size	Outlet Size	Wt. Each (lbs)	Box Qty	List Price
117NL-K3P3	3/4"	3/4"	1.2	20	\$52.29
117NL-K4P4	1"	1"	1.8	18	\$68.60

Series 117NL

Kitec Electrical Tail x Female Copper Flare Adaptors



Part Number	Inlet Size	Outlet Size	Wt. Each (lbs)	Box Qty	List Price
117NL-KE3P3	3/4"	3/4"	1.2	20	\$60.71
117NL-KE4P4	1"	1"	1.8	18	\$81.58

Series 117NL

CB Compression x Female Compression Thread



Part Number	Inlet Size	Outlet Size	Wt. Each (lbs)	Box Qty	List Price
117NL-M3P2	3/4"	5/8"	0.6	40	\$19.43
117NL-M3P3	3/4"	3/4"	0.6	48	\$14.08
117NL-M3P4	3/4"	1"	0.5	36	\$25.45
117NL-M4P4	1"	1"	0.7	30	\$24.63

Series 117NL

PEP Size Compression (PE SIDR7) x FIP Adaptors



Part Number	Inlet Size	Outlet Size	Wt. Each (lbs)	Box Qty	List Price
117NL-PE3F3	3/4"	3/4"	1.1	20	\$31.71
117NL-PE3F4	3/4"	1"	1.3	25	\$44.80
117NL-PE4F3	1"	3/4"	1.3	20	\$44.10
117NL-PE4F4	1"	1"	1.7	15	\$40.57
117NL-PE4F5	1"	1 1/4"	2.3	15	\$54.62
117NL-PE5F5	1 1/4"	1 1/4"	2.6	10	\$58.48
117NL-PE6F4	1 1/2"	1"	2.9	5	\$83.79
117NL-PE6F6	1 1/2"	1 1/2"	3.4	4	\$99.81
117NL-PE7F7	2"	2"	3.6	4	\$161.80

Series 117NL

PEP Size Compression (PE SIDR7) x MIP Adaptors



Part Number	Inlet Size	Outlet Size	Wt. Each (lbs)	Box Qty	List Price
117NL-PE3M3	3/4"	3/4"	1.0	20	\$32.47
117NL-PE3M4	3/4"	1"	1.2	20	\$44.70
117NL-PE4M3	1"	3/4"	1.3	12	\$52.85
117NL-PE4M4	1"	1"	1.5	12	\$47.14
117NL-PE5M5	1 1/4"	1 1/4"	1.7	8	\$71.41
117NL-PE6M4	1 1/2"	1"	2.6	5	\$83.79
117NL-PE6M6	1 1/2"	1 1/2"	3.0	5	\$111.81
117NL-PE7M7	2"	2"	3.4	4	\$177.69

Series 117NL

PVC Compression (IPS) x FIP



Part Number	Inlet Size	Outlet Size	Wt. Each (lbs)	Box Qty	List Price
117NL-PJ3F3	3/4"	3/4"	1.1	20	\$32.22
117NL-PJ3F4	3/4"	1"	1.3	25	\$44.80
117NL-PJ4F3	1"	3/4"	1.5	12	\$50.77
117NL-PJ4F4	1"	1"	1.8	12	\$49.69
117NL-PJ4F5	1"	1 1/4"	2.3	15	\$48.98
117NL-PJ5F5	1 1/4"	1 1/4"	2.8	10	\$91.49
117NL-PJ6F4	1 1/2"	1"	3.4	4	\$91.49
117NL-PJ6F6	1 1/2"	1 1/2"	3.5	5	\$107.52
117NL-PJ7F7	2"	2"	4.1	4	\$166.25

Pricing in U.S. funds.

- Insert stiffeners are required for all connections using plastic flexible pipe see page 71
- See installation instructions on page 10

Couplings & Adaptors

Rated for 300 PSIG

Service Line Fittings are manufactured by Cambridge Brass to meet or exceed the AWWA C800 (latest revision) and NSF 61 & 372 standards and are 300 PSIG rated. Our service fittings are rated to withstand the same pressures as the tubing they are designed to fit. They are designed and tested for cold portable water only. Rubber gaskets are standard.

Series 117NL

PVC Compression (IPS) x MIP Adaptors



Part Number	Inlet Size	Outlet Size	Wt. Each (lbs)	Box Qty	List Price
117NL-PJ3M3	3/4"	3/4"	1.0	20	\$32.47
117NL-PJ3M4	3/4"	1"	1.2	20	\$39.71
117NL-PJ4M3	1"	3/4"	1.2	12	\$48.44
117NL-PJ4M4	1"	1"	1.4	12	\$50.62
117NL-PJ5M5	1 1/4"	1 1/4"	1.7	8	\$77.43
117NL-PJ6M4	1 1/2"	1"	2.6	5	\$90.58
117NL-PJ6M6	1 1/2"	1 1/2"	3.1	4	\$99.57
117NL-PJ7M7	2"	2"	3.9	4	\$144.66

Series 117NL

Extra Strong Lead Size x FIP



Part Number	Inlet Size	Outlet Size	Wt. Each (lbs)	Box Qty	List Price
117NL-XS2F3	5/8"	3/4"	0.7	20	\$31.78
117NL-XS3F3	3/4"	3/4"	0.8	20	\$60.48
117NL-XS3F4	5/8"	1"	1.3	24	\$69.08

Series 117NL

Extra Strong Lead Size x MIP



Part Number	Inlet Size	Outlet Size	Wt. Each (lbs)	Box Qty	List Price
117NL-XS2M3	5/8"	3/4"	0.7	20	\$32.47
117NL-XS3M3	3/4"	3/4"	0.8	20	\$45.24
117NL-XS3M4	3/4"	1"	1.1	15	\$55.43

• Insert stiffeners are required for all connections using plastic flexible pipe see page 71
 • See installation instructions on page 10

Pricing in U.S. funds.

Cambridge Coupling

Rated for 300 PSIG

The Cambridge Coupling is a unique fitting with a patented design that provides the installer with a 0.400" range to accommodate varying outside diameter sized pipes. Additionally it will accommodate pipes that are slightly oval or slightly deformed, saving time & materials in some sizing situations. The range of each coupling overlaps slightly to accommodate different installation scenarios. The stainless steel teeth in the gripper ring provide electrical continuity when metallic pipes are used. With more than 3/8" of range, the Cambridge Coupling is the fitting of choice for connecting dissimilar pipes. Cambridge Couplings are manufactured by Cambridge Brass to meet or exceed the AWWA C800 (latest revision) and NSF 61 & 372 standards and are 300 PSIG rated. Our service fittings are rated to withstand the same pressures as the tubing they are designed to fit. They are designed and tested for cold portable water only. Rubber gaskets are standard.

Series 117NL Cambridge Coupling x FIP



Part Number	Inlet Size	Outlet Size	Wt. Each (lbs)	Box Qty	Price
117NL-U2F3	5/8"	3/4"	1.79	4	\$94.40
117NL-U3F3	3/4"	3/4"	1.95	4	\$98.90
117NL-U4F4	1"	1"	2.70	4	\$114.66
117NL-U5F4	1 1/4"	1"	3.02	2	\$128.42
117NL-U5F6	1 1/4"	1 1/2"	3.33	2	\$140.11
117NL-U6F6	1 1/2"	1 1/2"	3.29	2	\$143.63
117NL-U7F7	2"	2"	3.68	2	\$159.60

Series 119NL Cambridge Coupling x Cambridge Coupling



Part Number	Inlet Size	Outlet Size	Wt. Each (lbs)	Box Qty	Price
119NL-U2U2	5/8"	5/8"	2.65	4	\$139.59
119NL-U2U3	5/8"	3/4"	3.57	4	\$144.31
119NL-U3U3	3/4"	3/4"	3.00	4	\$146.33
119NL-U3U4	3/4"	1"	3.53	4	\$155.55
119NL-U4U4	1"	1"	3.33	4	\$152.68
119NL-U4U5	1"	1 1/4"	4.38	2	\$181.83
119NL-U5U5	1 1/4"	1 1/4"	4.69	2	\$195.97
119NL-U5U6	1 1/4"	1 1/2"	5.03	2	\$213.29
119NL-U6U6	1 1/2"	1 1/2"	5.18	2	\$217.17
119NL-U6U7	1 1/2"	2"	5.92	2	\$239.44
119NL-U7U7	2"	2"	5.94	2	\$248.35

Series 117NL Cambridge Coupling x MIP



Part Number	Inlet Size	Outlet Size	Wt. Each (lbs)	Box Qty	Price
117NL-U2M3	5/8"	3/4"	1.69	4	\$93.35
117NL-U3M3	3/4"	3/4"	1.85	4	\$97.85
117NL-U4M4	1"	1"	2.57	4	\$113.15
117NL-U5M4	1 1/4"	1"	2.89	2	\$127.00
117NL-U5M6	1 1/4"	1 1/2"	3.49	2	\$142.31
117NL-U6M6	1 1/2"	1 1/2"	3.45	2	\$147.77
117NL-U7M7	2"	2"	4.05	2	\$160.86

Pipe O.D. Range per size

Part	Min. Inches	Max. Inches	Min. (mm)	Max. (mm)
U2	0.600	0.900	15.3	22.8
U3	0.735	1.135	18.6	28.8
U4	1.000	1.400	25.4	35.6
U5	1.300	1.700	33.0	43.2
U6	1.600	2.000	40.6	50.8
U7	1.969	2.381	50.0	60.5

Pricing in U.S. funds.

- Insert stiffeners are required for all connections using plastic flexible pipe see page 71
- See installation instructions on page 10

Couplings with Stop

Rated for 300 PSIG

Cambridge Brass 118 Series Couplings are used in applications that require a pipe stop to prevent the pipe from passing through the coupling body. These parts meet or exceed the AWWA C800 (latest revision) and NSF 61 & 372 standards and are 300 PSIG rated. Our service fittings are rated to withstand the same pressures as the tubing they are designed to fit. They are designed and tested for cold portable water only. Rubber gaskets are standard.

Series 118NL

Campak x Campak



Part Number	Inlet Size	Outlet Size	Wt. Each (lbs)	Box Qty	List Price
118NL-B1B1	1/2"	1/2"	1.0	25	\$31.16
118NL-B2B1	5/8"	1/2"	1.0	25	\$34.29
118NL-B3B1	3/4"	1/2"	1.0	25	\$30.54
118NL-B3B2	3/4"	5/8"	1.0	25	\$29.51
118NL-B3B3	3/4"	3/4"	1.0	20	\$29.83
118NL-B4B2	1"	5/8"	1.5	15	\$36.40
118NL-B4B3	1"	3/4"	1.4	15	\$34.66
118NL-B4B4	1"	1"	1.5	12	\$34.13
118NL-B5B4	1 1/4"	1"	2.6	6	\$55.09
118NL-B5B5	1 1/4"	1 1/4"	3.6	6	\$58.91
118NL-B6B6	1 1/2"	1 1/2"	3.7	8	\$114.17
118NL-B7B7	2"	2"	5.3	7	\$154.19

Series 118NL

Copper Flare x Copper Flare



Part Number	Inlet Size	Outlet Size	Wt. Each (lbs)	Box Qty	List Price
118NL-C1C1	1/2"	1/2"	0.8	25	\$30.84
118NL-C2C1	5/8"	1/2"	0.9	25	\$23.64
118NL-C2C2	5/8"	5/8"	1.2	25	\$26.73
118NL-C3C1	3/4"	1/2"	1.1	20	\$23.76
118NL-C3C2	3/4"	5/8"	1.1	20	\$29.04
118NL-C3C3	3/4"	3/4"	1.2	20	\$27.50
118NL-C4C3	1"	3/4"	1.6	15	\$40.77
118NL-C4C4	1"	1"	1.9	12	\$48.19
118NL-C5C5	1 1/4"	1 1/4"	3.8	6	\$98.87
118NL-C6C6	1 1/2"	1 1/2"	5.1	5	\$144.65
118NL-C7C7	2"	2"	3.7	5	\$236.04

Series 118NL

Grip Joint x Grip Joint



Part Number	Inlet Size	Outlet Size	Wt. Each (lbs)	Box Qty	List Price
118NL-GJ3GJ3	3/4"	3/4"	0.9	20	\$29.83
118NL-GJ4GJ3	1"	1"	1.5	15	\$34.66
118NL-GJ4GJ4	1"	1"	1.9	12	\$34.13

Series 118NL

CB x CB Compression



Part Number	Inlet Size	Outlet Size	Wt. Each (lbs)	Box Qty	List Price
118NL-H1H1	1/2"	1/2"	1.0	25	\$31.16
118NL-H2H1	5/8"	1/2"	1.0	25	\$34.29
118NL-H3H1	3/4"	1/2"	1.0	25	\$30.54
118NL-H3H2	3/4"	5/8"	1.0	25	\$29.51
118NL-H3H3	3/4"	3/4"	1.0	25	\$29.83
118NL-H4H1	1"	1/2"	1.8	15	\$33.96
118NL-H4H2	1"	5/8"	1.8	15	\$36.40
118NL-H4H3	1"	3/4"	1.6	15	\$34.66
118NL-H4H4	1"	1"	1.8	12	\$34.13
118NL-H5H5	1 1/4"	1 1/4"	3.6	6	\$58.91
118NL-H6H4	1 1/2"	1"	4.8	8	\$81.58
118NL-H6H6	1 1/2"	1 1/2"	3.1	6	\$114.18
118NL-H7H7	2"	2"	4.1	4	\$154.19

Series 119NL

CB x Campak



Part Number	Inlet Size	Outlet Size	Wt. Each (lbs)	Box Qty	List Price
118NL-H3B1	3/4"	1/2"	1.0	25	\$30.54
118NL-H3B2	3/4"	5/8"	1.0	25	\$29.51
118NL-H4B1	1"	1/2"	1.9	15	\$33.96
118NL-H4B2	1"	5/8"	1.4	15	\$36.40

• Insert stiffeners are required for all connections using plastic flexible pipe see page 71
 • See installation instructions on page 10

Pricing in U.S. funds.

Service Line Fittings

Couplings with Stop

Rated for 300 PSIG

Cambridge Brass 118 Series Couplings are used in applications that require a pipe stop to prevent the pipe from passing through the coupling body. These parts meet or exceed the AWWA C800 (latest revision) and NSF 61 & 372 standards and are 300 PSIG rated. Our service fittings are rated to withstand the same pressures as the tubing they are designed to fit. They are designed and tested for cold portable water only. Rubber gaskets are standard.

Series 118NL

CB Compression x Copper Flare



Part Number	Inlet Size	Outlet Size	Wt. Each (lbs)	Box Qty	List Price
118NL-H3C3	3/4"	3/4"	1.0	20	\$41.05
118NL-H3C4	3/4"	1"	1.2	15	\$54.61
118NL-H5C5	1 1/4"	1 1/4"	3.3	6	\$98.87
118NL-H6C4	1 1/2"	1"	3.8	9	\$103.67
118NL-H6C7	1 1/2"	2"	4.0	6	\$178.47

Series 118NL

Kitec x CB Compression



Part Number	Inlet Size	Outlet Size	Wt. Each (lbs)	Box Qty	List Price
118NL-K3H1	3/4"	1/2"	1.0	25	\$54.96
118NL-K3H3	3/4"	3/4"	1.1	25	\$54.25
118NL-K3H4	3/4"	1"	1.6	15	\$59.08
118NL-K4H3	1"	3/4"	1.6	15	\$68.26
118NL-K4H4	1"	1"	1.9	12	\$67.72

Series 118NL

CB Compression x CB Compression Electrical Connection



Part Number	Inlet Size	Outlet Size	Wt. Each (lbs)	Box Qty	List Price
118NL-H3HE3	3/4"	3/4"	1.1	25	\$36.55
118NL-H4HE4	1"	1"	1.6	12	\$40.12
118NL-H6HE6	1 1/2"	1 1/2"	3.5	6	\$129.47
118NL-H7HE7	2"	2"	4.1	4	\$168.11

Series 118NL

Kitec x Kitec



Part Number	Inlet Size	Outlet Size	Wt. Each (lbs)	Box Qty	List Price
118NL-K3K3	3/4"	3/4"	1.2	20	\$78.67
118NL-K4K3	1"	3/4"	1.7	20	\$94.56
118NL-K4K4	1"	1"	1.9	10	\$85.03

Series 118NL

Haystite x Haystite



Part Number	Inlet Size	Outlet Size	Wt. Each (lbs)	Box Qty	List Price
118NL-J3J3	3/4"	3/4"	1.0	20	\$29.83
118NL-J4J3	1"	3/4"	1.6	12	\$34.66
118NL-J4J4	1"	1"	1.8	10	\$34.14

Series 118NL

Kitec Electrical x Kitec Electrical



Part Number	Inlet Size	Outlet Size	Wt. Each (lbs)	Box Qty	List Price
118NL-KE3KE3	3/4"	3/4"	1.4	20	\$97.62
118NL-KE4KE3	1"	3/4"	1.8	12	\$115.05
118NL-KE4KE4	1"	1"	3.1	10	\$125.80

Series 118NL

Kitec x Copper



Part Number	Inlet Size	Outlet Size	Wt. Each (lbs)	Box Qty	List Price
118NL-K3C3	3/4"	3/4"	1.2	20	\$54.74
118NL-K4C4	1"	3/4"	2.0	12	\$82.10

Series 118NL

Kitec Electrical x CB Compression



Part Number	Inlet Size	Outlet Size	Wt. Each (lbs)	Box Qty	List Price
118NL-KE3H3	3/4"	3/4"	1.5	25	\$65.26
118NL-KE4H4	1"	1"	2.0	15	\$81.50

Pricing in U.S. funds.

• Insert stiffeners are required for all connections using plastic flexible pipe see page 71
• See installation instructions on page 10

Couplings without Stop

Rated for 300 PSIG

Cambridge Brass 119 Series Couplings are used in applications that allow the pipe to pass through the coupling body. These parts meet or exceed the AWWA C800 (latest revision) and NSF 61 & 372 standards and are 300 PSIG rated. Our service fittings are rated to withstand the same pressures as the tubing they are designed to fit. They are designed and tested for cold portable water only. Rubber gaskets are standard.

Series 119NL

Campak x Campak



Part Number	Inlet Size	Outlet Size	Wt. Each (lbs)	Box Qty	List Price
119NL-B1B1	1/2"	1/2"	0.8	25	\$31.16
119NL-B2B2	5/8"	5/8"	0.9	25	\$37.52
119NL-B3B3	3/4"	3/4"	1.0	20	\$29.83
119NL-B4B3	1"	3/4"	1.4	15	\$34.66
119NL-B4B4	1"	1"	1.5	12	\$34.13
119NL-B5B4	1 1/4"	1"	3.0	5	\$55.09
119NL-B5B5	1 1/4"	1 1/4"	3.3	6	\$58.91
119NL-B6B6	1 1/2"	1 1/2"	3.8	5	\$114.18
119NL-B7B7	2"	2"	5.4	7	\$154.19

Series 119NL

Campak x PEP Compression (PR SIDR7)



Part Number	Inlet Size	Outlet Size	Wt. Each (lbs)	Box Qty	List Price
119NL-B3PE3	3/4"	3/4"	1.4	12	\$35.66
119NL-B3PE4	3/4"	1"	1.5	8	\$56.31
119NL-B4PE3	1"	3/4"	1.5	12	\$37.19
119NL-B4PE4	1"	1"	1.9	9	\$53.86
119NL-B6PE6	1 1/2"	1 1/2"	3.9	5	\$157.06
119NL-B7PE7	2"	2"	5.5	5	\$183.41

Series 119NL

Campak x PVC Compression (IPS)



Part Number	Inlet Size	Outlet Size	Wt. Each (lbs)	Box Qty	List Price
119NL-B3PJ3	3/4"	3/4"	1.4	12	\$40.31
119NL-B3PJ4	3/4"	1"	1.5	8	\$56.44
119NL-B4PJ3	1"	3/4"	1.5	12	\$42.56
119NL-B4PJ4	1"	1"	1.9	8	\$58.26
119NL-B6PJ6	1 1/2"	1 1/2"	3.9	6	\$157.13
119NL-B7PJ7	2"	2"	5.5	5	\$183.41

Series 119NL

Campak x IP (Galvanized) Pipe



Part Number	Inlet Size	Outlet Size	Wt. Each (lbs)	Box Qty	List Price
119NL-B1IP1	1/2"	1/2"	1.0	25	\$32.01
119NL-B3IP1	3/4"	1/2"	1.2	25	\$32.01
119NL-B3IP3	3/4"	3/4"	1.4	15	\$33.03
119NL-B3IP4	3/4"	1"	1.5	8	\$45.55
119NL-B4IP3	1"	3/4"	1.5	12	\$37.13
119NL-B4IP4	1"	1"	1.7	8	\$44.31

Series 119NL

Campak x Extra Strong Lead Compression



Part Number	Inlet Size	Outlet Size	Wt. Each (lbs)	Box Qty	List Price
119NL-B3XS1	3/4"	1/2"	1.8	20	\$29.84
119NL-B3XS2	3/4"	5/8"	1.8	18	\$35.68
119NL-B4XS2	1"	5/8"	2.0	15	\$37.19

Series 119NL

Copper Flare x PVC Campak



Part Number	Inlet Size	Outlet Size	Wt. Each (lbs)	Box Qty	List Price
119NL-C4PJ4	1"	1"	4	8	\$79.34
119NL-C4PJ6	1"	1 1/2"	4	4	\$137.67
119NL-C6PJ6	1 1/2"	1 1/2"	4	5	\$166.38
119NL-C7PJ6	2"	1 1/2"	6	6	\$182.00
119NL-C7PJ7	2"	2"	5	5	\$209.64

• Insert stiffeners are required for all connections using plastic flexible pipe see page 71
 • See installation instructions on page 10

Pricing in U.S. funds.

Service Line Fittings

Couplings without Stop

Rated for 300 PSIG

Cambridge Brass 119 Series Couplings are used in applications that allow the pipe to pass through the coupling body. These parts meet or exceed the AWWA C800 (latest revision) and NSF 61 & 372 standards and are 300 PSIG rated. Our service fittings are rated to withstand the same pressures as the tubing they are designed to fit. They are designed and tested for cold portable water only. Rubber gaskets are standard.

Series 119NL

CB Compression x PVC
Compression (IPS)



Part Number	Inlet Size	Outlet Size	Wt. Each (lbs)	Box Qty	List Price
119NL-H3PJ3	3/4"	3/4"	1.0	15	\$40.31
119NL-H3PJ4	3/4"	1"	1.8	8	\$56.44
119NL-H4PJ3	1"	3/4"	1.8	12	\$42.56
119NL-H4PJ4	1"	1"	2.1	8	\$58.26
119NL-H6PJ6	1 1/2"	1 1/2"	3.9	5	\$157.12
119NL-H7PJ7	2"	2"	4.8	5	\$183.41

Series 119NL

Grip Joint x IP (Galvanized) Pipe



Part Number	Inlet Size	Outlet Size	Wt. Each (lbs)	Box Qty	List Price
119NL-GJ3IP1	3/4"	1/2"	1.0	25	\$32.01
119NL-GJ3IP3	3/4"	3/4"	1.2	12	\$33.01
119NL-GJ3IP4	3/4"	1"	1.5	8	\$45.55
119NL-GJ4IP3	1"	3/4"	1.5	12	\$37.16
119NL-GJ4IP4	1"	1"	1.7	8	\$44.31

Series 119NL

CB Compression x Extra
Strong Lead Compression



Part Number	Inlet Size	Outlet Size	Wt. Each (lbs)	Box Qty	List Price
119NL-H3XS1	3/4"	1/2"	0.9	20	\$29.84
119NL-H3XS2	3/4"	5/8"	0.9	18	\$35.68
119NL-H4XS2	1"	5/8"	2.0	15	\$37.19

Series 119NL

Grip Joint x Grip Joint



Part Number	Inlet Size	Outlet Size	Wt. Each (lbs)	Box Qty	List Price
119NL-GJ3GJ3	3/4"	3/4"	0.9	20	\$29.83
119NL-GJ4GJ3	1"	3/4"	1.5	15	\$34.66
119NL-GJ4GJ4	1"	1"	1.9	12	\$34.13

Series 119NL

Haystite x Haystite



Part Number	Inlet Size	Outlet Size	Wt. Each (lbs)	Box Qty	List Price
119NL-J3J3	3/4"	3/4"	1.0	20	\$29.83
119NL-J4J4	1"	1"	1.8	10	\$34.13

Series 119NL

CB x CB Compression



Part Number	Inlet Size	Outlet Size	Wt. Each (lbs)	Box Qty	List Price
119NL-H1H1	1/2"	1/2"	0.9	25	\$31.16
119NL-H2H2	5/8"	5/8"	0.8	25	\$37.52
119NL-H3H3	3/4"	3/4"	0.9	25	\$29.83
119NL-H3H5	3/4"	1 1/4"	2.1	8	\$64.40
119NL-H4H3	1"	3/4"	1.5	15	\$34.66
119NL-H4H4	1"	1"	1.5	12	\$34.13
119NL-H5H4	1 1/4"	1"	2.6	9	\$55.09
119NL-H5H5	1 1/4"	1 1/4"	3.7	6	\$58.91
119NL-H6H6	1 1/2"	1 1/2"	2.9	6	\$114.18
119NL-H6H7	1 1/2"	2"	3.8	4	\$124.42
119NL-H7H7	2"	2"	3.6	4	\$154.19

Series 119NL

IP (Galvanized) Pipe x
IP (Galvanized) Pipe



Part Number	Inlet Size	Outlet Size	Wt. Each (lbs)	Box Qty	List Price
119NL-IP1IP1	1/2"	1/2"	1.8	25	\$29.93
119NL-IP3IP3	3/4"	3/4"	1.2	12	\$32.85
119NL-IP4IP3	1"	3/4"	1.9	8	\$42.43
119NL-IP4IP4	1"	1"	2.1	8	\$58.00

Pricing in U.S. funds.

- Insert stiffeners are required for all connections using plastic flexible pipe see page 71
- See installation instructions on page 10

Couplings without Stop

Rated for 300 PSIG

Cambridge Brass 119 Series Couplings are used in applications that allow the pipe to pass through the coupling body. These parts meet or exceed the AWWA C800 (latest revision) and NSF 61 & 372 standards and are 300 PSIG rated. Our service fittings are rated to withstand the same pressures as the tubing they are designed to fit. They are designed and tested for cold portable water only. Rubber gaskets are standard.

Series 119NL

PEP Compression (PE SIDR7) x
PEP Compression (PE SIDR7)



Part Number	Inlet Size	Outlet Size	Wt. Each (lbs)	Box Qty	List Price
119NL-PE3PE3	3/4"	3/4"	1.5	12	\$37.26
119NL-PE3PE4	3/4"	1"	2.1	8	\$57.65
119NL-PE4PE4	1"	1"	2.3	4	\$74.45
119NL-PE5PE5	1 1/4"	1 1/4"	3.6	8	\$105.28
119NL-PE6PE6	1 1/2"	1 1/2"	4.8	8	\$162.20
119NL-PE7PE7	2"	2"	5.2	5	\$218.57

Series 119NL

CB Compression x PEP Size
Compression (PE SIDR7)



Part Number	Inlet Size	Outlet Size	Wt. Each (lbs)	Box Qty	List Price
119NL-H3PE3	3/4"	3/4"	1.3	12	\$35.66
119NL-H3PE4	3/4"	1"	1.4	8	\$56.32
119NL-H4PE3	1"	3/4"	1.4	12	\$37.21
119NL-H4PE4	1"	1"	1.8	9	\$53.86
119NL-H6PE6	1 1/2"	1 1/2"	3.7	6	\$157.04
119NL-H7PE7	2"	2"	5.4	5	\$183.41

Series 119NL

CB x CB Compression with
Electrical Connection



Part Number	Inlet Size	Outlet Size	Wt. Each (lbs)	Box Qty	List Price
119NL-H3HE3	3/4"	3/4"	1.5	20	34.56
119NL-H4HE4	1"	1"	1.9	15	40.12
119NL-H6HE6	1 1/2"	1 1/2"	3.4	6	129.47
119NL-H7HE7	2"	2"	4.2	4	172.69

Series 119NL

PVC Compression (IPS) x PVC
Compression (IPS)



Part Number	Inlet Size	Outlet Size	Wt. Each (lbs)	Box Qty	List Price
119NL-PJ3PJ3	3/4"	3/4"	1.3	12	\$43.56
119NL-PJ3PJ4	3/4"	1"	1.9	8	\$59.45
119NL-PJ4PJ4	1"	1"	1.4	8	\$73.98
119NL-PJ5PJ5	1 1/4"	1 1/4"	1.8	8	\$106.14
119NL-PJ6PJ6	1 1/2"	1 1/2"	4.8	4	\$144.36
119NL-PJ7PJ7	2"	2"	5.4	5	\$218.37

Series 119NL

CB Compression x IP
(Galvanized) Pipe



Part Number	Inlet Size	Outlet Size	Wt. Each (lbs)	Box Qty	List Price
119NL-H1IP1	1/2"	1/2"	0.7	25	\$32.01
119NL-H3IP1	3/4"	1/2"	0.9	25	\$32.01
119NL-H3IP3	3/4"	3/4"	1.0	20	\$33.03
119NL-H3IP4	3/4"	1"	1.5	8	\$45.55
119NL-H4IP3	1"	3/4"	1.5	12	\$37.13
119NL-H4IP4	1"	1"	1.9	8	44.31

Series 119NL

PEP Size Compression (PE SIDR7)
x PVC Compression (IPS)



Part Number	Inlet Size	Outlet Size	Wt. Each (lbs)	Box Qty	List Price
119NL-PE3PJ3	3/4"	3/4"	1.4	12	\$45.61
119NL-PE3PJ4	3/4"	1"	1.5	8	\$60.51
119NL-PE4PJ3	1"	3/4"	1.5	5	\$60.51
119NL-PE4PJ4	1"	1"	1.9	8	\$74.45

- Insert stiffeners are required for all connections using plastic flexible pipe see page 71
- See installation instructions on page 10

Pricing in U.S. funds.

Service Line Fittings

Couplings without Stop

Rated for 300 PSIG

Cambridge Brass 119 Series Couplings are used in applications that allow the pipe to pass through the coupling body. These parts meet or exceed the AWWA C800 (latest revision) and NSF 61 & 372 standards and are 300 PSIG rated. Our service fittings are rated to withstand the same pressures as the tubing they are designed to fit. They are designed and tested for cold portable water only. Rubber gaskets are standard.

Series 119NL

PEP Compression (PE SDR7) x IP (Galvanized) Pipe



Part Number	Inlet Size	Outlet Size	Wt. Each (lbs)	Box Qty	List Price
119NL-PE3IP3	3/4"	3/4"	1.4	12	\$40.57
119NL-PE3IP4	3/4"	1"	1.5	8	\$56.81
119NL-PE4IP3	1"	3/4"	1.5	8	\$56.75
119NL-PE4IP4	1"	1"	1.9	4	\$67.62

Series 119NL

PVC Compression (IPS) x IP (Galvanized) Pipe



Part Number	Inlet Size	Outlet Size	Wt. Each (lbs)	Box Qty	List Price
119NL-PJ3IP3	3/4"	3/4"	1.4	12	\$39.52
119NL-PJ3IP4	3/4"	1"	1.5	8	\$56.81
119NL-PJ4IP3	1"	3/4"	1.5	8	\$56.75
119NL-PJ4IP4	1"	1"	1.9	4	\$68.78

Series 120NL

Copper Flare x Reverse Copper Flare



Part Number	Inlet Size	Outlet Size	Wt. Each (lbs)	Box Qty	List Price
120NL-C3C3	3/4"	3/4"	0.7	36	\$24.23
120NL-C4C4	1"	1"	1.1	20	\$37.53
120NL-C6C6	1 1/2"	1 1/2"	3.0	5	\$89.97
120NL-C7C7	2"	2"	5.0	4	\$174.97

Pricing in U.S. funds.

- Insert stiffeners are required for all connections using plastic flexible pipe see page 71
- See installation instructions on page 10

Service Tees with Compression on the Branch

Rated for 300 PSIG

Service Tees are manufactured by Cambridge Brass to meet or exceed the AWWA C800 (latest revision) and NSF 61 & 372 standards and are 300 rated tested. Our service fittings are rated to withstand the same pressures as the tubing they are designed to fit. They are designed and tested for cold portable water only. Rubber gaskets are used in our Compression fittings.

Series 150NL

Campak x Campak x Campak



Part Number	Run Size	Branch Size	Wt. Each (lbs)	Box Qty	List Price
150NL-B3B3	3/4"	3/4"	1.9	8	\$72.23
150NL-B3B4	3/4"	1"	2.3	4	\$76.93
150NL-B4B4	1"	1"	3.2	4	\$77.23
150NL-B6B3	1 1/2"	3/4"	4.2	4	\$148.71
150NL-B6B6	1 1/2"	1 1/2"	4.4	3	\$172.27
150NL-B7B3	2"	3/4"	5.6	2	\$218.20
150NL-B7B4	2"	1"	5.8	2	\$228.08
150NL-B7B7	2"	2"	7.0	2	\$420.46

Series 150NL

CB x CB x CB Compression



Part Number	Run Size	Branch Size	Wt. Each (lbs)	Box Qty	List Price
150NL-H3H3	3/4"	3/4"	1.9	12	\$72.23
150NL-H3H4	3/4"	1"	2.3	8	\$76.93
150NL-H4H3	1"	3/4"	2.3	4	\$79.32
150NL-H4H4	1"	1"	3.6	4	\$77.23
150NL-H6H3	1 1/2"	3/4"	4.0	4	\$148.71
150NL-H6H6	1 1/2"	1 1/2"	4.4	3	\$172.27
150NL-H7H3	2"	3/4"	5.2	2	\$218.20
150NL-H7H4	2"	1"	5.6	2	\$228.08
150NL-H7H7	2"	2"	6.9	3	\$420.46

Series 150NL

Copper Flare x Copper Flare x Copper Flare



Part Number	Run Size	Branch Size	Wt. Each (lbs)	Box Qty	List Price
150NL-C3C3	3/4"	3/4"	1.9	10	\$51.67
150NL-C4C4	1"	1"	3.4	5	\$86.69

Series 150NL

Haystite x Haystite x Haystite



Part Number	Run Size	Branch Size	Wt. Each (lbs)	Box Qty	List Price
150NL-J3J3	3/4"	3/4"	2.0	6	\$72.25
150NL-J3J4	3/4"	1"	2.3	4	\$76.98
150NL-J4J4	1"	1"	3.8	4	\$77.28

Series 150NL

Grip Joint x Grip Joint x Grip Joint



Part Number	Run Size	Branch Size	Wt. Each (lbs)	Box Qty	List Price
150NL-GJ3GJ3	3/4"	3/4"	1.9	10	\$72.23
150NL-GJ3GJ4	3/4"	1"	2.3	8	\$76.93
150NL-GJ4GJ4	1"	1"	3.4	4	\$77.23

Series 150NL

Kitec x Kitec x Kitec



Part Number	Run Size	Branch Size	Wt. Each (lbs)	Box Qty	List Price
150NL-K3K3	3/4"	3/4"	2.1	8	\$145.44
150NL-K3K4	3/4"	1"	4.0	4	\$170.97
150NL-K4K4	1"	1"	4.0	4	\$177.95

Series 150NL

PEP x PEP x PEP (PE SIDR7)



Part Number	Run Size	Branch Size	Wt. Each (lbs)	Box Qty	List Price
150NL-PE3PE3	3/4"	3/4"	2.0	4	\$102.89

- Insert stiffeners are required for all connections using plastic flexible pipe see page 71
- See installation instructions on page 10

Pricing in U.S. funds.

Service Line Fittings

Service Tees with Industrial Pipe Threads on the Branch

Rated for 300 PSIG

Service Tees are manufactured by Cambridge Brass to meet or exceed the AWWA C800 (latest revision) and NSF 61 & 372 standards and are 300 PSIG rated. Our service fittings are rated to withstand the same pressures as the tubing they are designed to fit. They are designed and tested for cold portable water only. Rubber gaskets are used in our Compression fittings.

Series 151NL

Campak x Campak x FIP



Part Number	Run Size	Branch Size	Wt. Each (lbs)	Box Qty	List Price
151NL-B3F3	3/4"	3/4"	1.3	12	\$59.56
151NL-B4F4	1"	1"	2.9	6	\$73.91
151NL-B6F3	1 1/2"	3/4"	5.7	12	\$138.76
151NL-B7F3	2"	3/4"	8.5	2	\$193.51
151NL-B7F4	2"	1"	6.0	2	\$193.51

Series 151NL

CB x CB Compression x FIP



Part Number	Run Size	Branch Size	Wt. Each (lbs)	Box Qty	List Price
151NL-H3F3	3/4"	3/4"	1.7	12	\$59.56
151NL-H4F4	1"	1"	2.9	6	\$73.86
151NL-H6F3	1 1/2"	3/4"	3.3	12	\$138.71
151NL-H7F3	2"	3/4"	4.6	3	\$193.42
151NL-H7F4	2"	1"	8.3	5	\$193.42

Series 151NL

Campak x Campak x MIP



Part Number	Run Size	Branch Size	Wt. Each (lbs)	Box Qty	List Price
151NL-B3M3	3/4"	3/4"	1.6	12	\$52.46
151NL-B4M4	1"	1"	2.8	6	\$73.37

Series 151NL

CB x CB Compression x MIP



Part Number	Run Size	Branch Size	Wt. Each (lbs)	Box Qty	List Price
151NL-H3M3	3/4"	3/4"	1.6	12	\$52.46
151NL-H4M4	1"	1"	2.7	6	\$72.37

Series 151NL

Copper Flare x Copper Flare x FIP



Part Number	Run Size	Branch Size	Wt. Each (lbs)	Box Qty	List Price
151NL-C3F3	3/4"	3/4"	1.6	10	\$68.57
151NL-C4F4	1"	1"	3.0	6	\$73.91

Series 151NL

Kitec x Kitec x MIP



Part Number	Run Size	Branch Size	Wt. Each (lbs)	Box Qty	List Price
151NL-K3M3	3/4"	3/4"	1.7	10	\$74.28
151NL-K4M4	1"	1"	2.9	6	\$102.41

Series 151NL

Copper Flare x Copper Flare x MIP



Part Number	Run Size	Branch Size	Wt. Each (lbs)	Box Qty	List Price
151NL-C3M3	3/4"	3/4"	1.5	10	\$47.18
151NL-C4M4	1"	1"	2.7	6	\$76.18

Pricing in U.S. funds.

- Insert stiffeners are required for all connections using plastic flexible pipe see page 71
- See installation instructions on page 10

Wye Branches

Rated for 300 PSIG

Service Line Fittings are manufactured by Cambridge Brass to meet or exceed the AWWA C800 (latest revision) and NSF 61 & 372 standards and are 300 PSIG rated. Our service fittings are rated to withstand the same pressures as the tubing they are designed to fit. They are designed and tested for cold portable water only. Rubber gaskets are used in our Compression fittings.

Series 152NL

Campak x Campak x Campak



Part Number	Inlet Size	Branch Size	Wt. Each (lbs)	Box Qty	List Price
152NL-B4B3	1"	3/4"	2.0	6	\$61.75
152NL-B6B4	1 1/2"	1"	3.9	3	\$149.33
152NL-B7B4	2"	1"	4.6	2	\$172.62

Series 152NL

Haystite x Haystite x Haystite



Part Number	Inlet Size	Branch Size	Wt. Each (lbs)	Box Qty	List Price
152NL-J4J3	1"	3/4"	2.8	8	\$61.75

Series 152NL

Copper Flare x Copper Flare x Copper Flare



Part Number	Inlet Size	Branch Size	Wt. Each (lbs)	Box Qty	List Price
152NL-C4C3	1"	3/4"	2.4	6	\$59.45

Series 152NL

Kitec x Kitec x Kitec



Part Number	Inlet Size	Branch Size	Wt. Each (lbs)	Box Qty	List Price
152NL-K4K3	1"	3/4"	2.5	8	\$144.27

Series 1521NL

Grip Joint x Grip Joint x Grip Joint



Part Number	Inlet Size	Branch Size	Wt. Each (lbs)	Box Qty	List Price
152NL-GJ4GJ3	1"	3/4"	2.1	6	\$61.75

Series 155NL

FIP X (4) FIP'S OUTLETS



Part Number	Inlet Size	Branch Size	Wt. Each (lbs)	Box Qty	List Price
155NL-F7F4	2"	1"	2.3	3	\$120.39

Series 152NL

CB x CB x CB Compression



Part Number	Inlet Size	Branch Size	Wt. Each (lbs)	Box Qty	List Price
152NL-H4H3	1"	3/4"	2.1	8	\$61.75
152NL-H4H4	1"	1"	3.2	4	\$133.36
152NL-H6H4	1 1/2"	1"	3.8	4	\$149.33
152NL-H7H4	2"	1"	4.1	3	\$172.62

- Insert stiffeners are required for all connections using plastic flexible pipe see page 71
- See installation instructions on page 10

Pricing in U.S. funds.

Service Line Fittings

U-Branches

90 Degree Inlet or Outlet U-Branch

Series 171NL

90 Degree Inlet or Outlet U-Branch



Part Number	Inlet Size	Branch Size	Spread	Wt. Each (lbs)	Box Qty	List Price
Campak x MIP x MIP						
171NL-B4M3	1"	3/4"	6.5"	2.0	6	\$77.87
CB Compression x MIP x MIP						
171NL-H4M3	1"	3/4"	6.5"	2.3	6	\$77.87

Series 171NL

Meter Thread x MIP

90 Degree Inlet or Outlet U-Branch



Part Number	Inlet Size	Branch Size	Spread	Wt. Each (lbs)	Box Qty	List Price
171NL-N3M3	3/4"	3/4"	6.5"	2.0	6	\$69.31
171NL-N4M3	1"	3/4"	7.5"	2.3	6	\$75.61

Series 172NL

Campak x MIP x MIP

Straight Inlet to Outlet U-Branch



Part Number	Inlet Size	Branch Size	Spread	Wt. Each (lbs)	Box Qty	List Price
172NL-B4M3	1"	3/4"	5.5"	2.7	4	\$67.36
172NL-B4M36500	1"	3/4"	6.5"	2.8	6	\$67.36
172NL-B4M37500	1"	3/4"	7.5"	3.0	6	\$73.64

Series 172NL

Grip Joint x MIP x MIP

Straight Inlet to Outlet U-Branch



Part Number	Inlet Size	Branch Size	Spread	Wt. Each (lbs)	Box Qty	List Price
172NL-GJ4M3	1"	3/4"	6.5"	1.8	6	\$67.36
172NL-GJ4M37500	1"	3/4"	7.5"	2.0	6	\$73.64

Series 172NL

FIP x MIP x MIP

Straight Inlet to Outlet U-Branch



Part Number	Inlet Size	Branch Size	Spread	Wt. Each (lbs)	Box Qty	List Price
172NL-F4M36500	1"	3/4"	6.5"	1.8	6	\$57.96
172NL-F4M37500	1"	3/4"	7.5"	2.0	6	\$64.18

Series 172NL

CB Compression x MIP x MIP

Straight Inlet to Outlet U-Branch



Part Number	Inlet Size	Branch Size	Spread	Wt. Each (lbs)	Box Qty	List Price
172NL-H4M3	1"	3/4"	5.5"	2.5	4	\$67.36
172NL-H4M36500	1"	3/4"	6.5"	2.5	6	\$67.36
172NL-H4M37500	1"	3/4"	7.5"	2.7	6	\$73.64
172NL-H6M4	1 1/2"	1"	9"	4.3	2	\$132.85

Pricing in U.S. funds.

- Insert stiffeners are required for all connections using plastic flexible pipe see page 71
- See installation instructions on page 10

U-Branches

Straight Inlet to Outlet U-Branch

Series 172NL

Haystite x MIP x MIP



Part Number	Inlet Size	Branch Size	Spread	Wt. Each (lbs)	Box Qty	List Price
172NL-J4M3	1"	3/4"	5.5"	2.5	4	\$67.36
172NL-J4B36500	1"	3/4"	6.5"	2.5	6	\$67.36
172NL-J4M37500	1"	3/4"	7.5"	2.5	6	\$73.64

Series 172NL

MIP x MIP x MIP



Part Number	Inlet Size	Branch Size	Spread	Wt. Each (lbs)	Box Qty	List Price
172NL-M3M1	3/4"	1/2"	5.5"	1.8	10	\$61.28
172NL-M3M3	3/4"	3/4"	6.5"	1.8	5	\$61.28
172NL-M4M3	1"	3/4"	6.5"	1.8	5	\$61.28
172NL-M4M37500	1"	3/4"	7.5"	1.8	6	\$61.28

U-Branches - 4 Outlet

Straight Inlet to Outlet U-Branch

Series 173NL

CB Compression x MIP x MIP x FIP x FIP



Part Number	Inlet Size	Branch Size	Spread	Wt. Each (lbs)	Box Qty	List Price
173NL-H6M4F4	1 1/2"	1"	6.5"	3.9	2	\$129.92
173NL-H7M4F4	2"	1"	7.5"	4.5	2	\$159.28

- Insert stiffeners are required for all connections using plastic flexible pipe see page 71
- See installation instructions on page 10

Pricing in U.S. funds.

Nut Assemblies & Accessories

Service Line Fittings

Series 81 Campak Compression Nut & Gasket



Part Number	Size	Wt. Each (lbs)	Box Qty	List Price
81-B1	1/2"	0.3	75	\$6.58
81-B2	5/8"	0.3	60	\$7.17
81-B3	3/4"	0.3	50	\$7.17
81-B4	1"	0.5	35	\$11.05
81-B5	1 1/4"	0.7	30	\$19.23
81-B6	1 1/2"	1.2	15	\$33.74
81-B7	2"	1.7	10	\$44.01

Series 81 Copper Flare Nut



Part Number	Size	Wt. Each (lbs)	Box Qty	List Price
81-C1	1/2"	0.3	75	\$3.68
81-C2	5/8"	0.3	60	\$6.07
81-C3	3/4"	0.3	60	\$6.07
81-C4	1"	0.6	35	\$10.03
81-C5	1 1/4"	0.9	30	\$14.65
81-C6	1 1/2"	1.0	25	\$27.98
81-C7	2"	1.4	10	\$52.16

Series 81 Copper Flare Nut with Electrical Connection



Part Number	Size	Wt. Each (lbs)	Box Qty	List Price
81-CE3	3/4"	0.4	75	\$13.42
81-CE4	1"	0.5	60	\$20.40

Series 81 Grip Joint Compression Nut & Gasket



Part Number	Size	Wt. Each (lbs)	Box Qty	List Price
81-GJ3	3/4"	0.8	60	\$11.05
81-GJ4	1"	0.8	24	\$13.56

Series 81 DP



Part Number	Size	Wt. Each (lbs)	Box Qty	List Price
81NL-D3	3/4"		40	\$16.38
81NL-D4	1"		15	\$24.93

Series 81 CB Compression Nut & Gasket Electrical



Part Number	Size	Wt. Each (lbs)	Box Qty	List Price
81-HE3	3/4"	0.6	36	\$20.88
81-HE4	1"	0.7	25	\$23.39
81-HE6	1 1/2"	1.4	10	\$43.57
81-HE7	2"	1.7	10	\$54.78

Series 81 CB Compression Nut & Gasket



Part Number	Size	Wt. Each (lbs)	Box Qty	List Price
81-H1	1/2"	0.3	75	\$6.58
81-H2	5/8"	0.3	75	\$7.17
81-H3	3/4"	0.4	60	\$7.17
81-H4	1"	0.6	36	\$11.05
81-H5	1 1/4"	0.7	30	\$19.23
81-H6	1 1/2"	0.8	25	\$33.74
81-H7	2"	1.1	24	\$44.01

Series 81 IP (Galvanized) Pipe Nut & Gasket



Part Number	Size	Wt. Each (lbs)	Box Qty	List Price
81-IP1	1/2"	0.3	75	\$7.70
81-IP3	3/4"	0.4	60	\$7.70
81-IP4	1"	0.6	40	\$13.39

Pricing in U.S. funds.

• Insert stiffeners are required for all connections using plastic flexible pipe see page 71
• See installation instructions on page 10

Nut Assemblies & Accessories

Series 81
Haystite Nut & Gasket



Part Number	Size	Wt. Each (lbs)	Box Qty	List Price
81-J3	3/4"	0.3	60	\$11.05
81-J4	1"	0.6	24	\$13.56

Series 81
Kitec Nut & Insert



Part Number	Size	Wt. Each (lbs)	Box Qty	List Price
81NL-K3	3/4"	0.4	50	\$38.58
81NL-K4	1"	0.8	24	\$50.97

Series 81
Kitec Nut & Insert Electrical



Part Number	Size	Wt. Each (lbs)	Box Qty	List Price
81NL-KE3	3/4"	0.5	40	\$43.13
81NL-KE4	1"	0.8	30	\$61.48

Series 81
Kitec Gasket Kit
Includes 2 small and 1 large O-rings



Part Number	Size	Wt. Each (lbs)	Box Qty	List Price
81-KO3	3/4"			\$0.66
81-KO4	1"			\$0.71

Series 81
PE SIDR7 Compression Nut & Gasket



Part Number	Size	Wt. Each (lbs)	Box Qty	List Price
81-PE3	3/4"	3/4"	50	\$12.06
81-PE4	1"	1"	35	\$19.78
81-PE5	1 1/4"	1 1/4"	30	\$31.15
81-PE6	1 1/2"	1 1/2"	15	\$44.22
81-PE7	2"	2"	10	\$42.08

Series 81
PVC/IPS Nut & Gasket



Part Number	Size	Wt. Each (lbs)	Box Qty	List Price
81-PJ3	3/4"	0.3	50	\$9.30
81-PJ4	1"	0.5	35	\$19.71
81-PJ5	1 1/4"	0.4	15	\$35.29
81-PJ6	1 1/2"	1.2	15	\$33.09
81-PJ7	2"	1.7	10	\$41.47

Series 85
Copper Flare Insert



Part Number	Size	Wt. Each (lbs)	Box Qty	List Price
85NL-3	3/4"	0.1	10	\$17.09
85NL-4	1"	0.1	10	\$21.27

Series 90
No Lead Plug for CTS Compression Outlets



Part Number	Size	Wt. Each (lbs)	Box Qty	List Price
90NL-3	3/4"		40	\$47.50
90NL-4	1"		25	\$51.61
90NL-6	1 1/2"		10	\$63.67
90NL-7	2"		10	\$89.95

• Insert stiffeners are required for all connections using plastic flexible pipe see page 71
• See installation instructions on page 10

Pricing in U.S. funds.

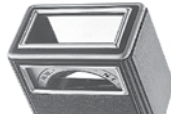
Service Line Fittings

Nut Assemblies & Accessories



O.D. Tapes

Part Number	Size	Wt. Each (lbs)	Box Qty	List Price
A2020000				\$21.42



Aqua Dip Needles

Part Number	Size	Wt. Each (lbs)	Box Qty	List Price
A2008150				\$525.58



2" Square Operating Nut (Includes Clevis Pin)

Part Number	Size	Wt. Each (lbs)	Box Qty	List Price
500901A		1.0	20	\$21.08

Handles



Part Number	Size	Wt. Each (lbs)	Box Qty	List Price
070340	3/4" & 1"	0.2	50	\$6.47

Handles - Special 1 1/2" & 2" (Factory Assembled)



Part Number	Size	Wt. Each (lbs)	Box Qty	List Price
071225A				\$20.15

Pricing in U.S. funds.

- Insert stiffeners are required for all connections using plastic flexible pipe see page 71
- See installation instructions on page 10



Part Number Format

Example: Double Strap Saddle for 7.50 O.D. Pipe with AWWA 2" Tap = **810 - 075 - A 7**

Series Number	Tap Style	Tap Size
83NL = Brass Bushings	M = Male Iron Pipe (for bushings only)	3 = 3/4"
800 = Hinged Saddles for C900 & IPS	A = AWWA	4 = 1"
805 = Hinged Saddles for C900 & IPS	F = Female Iron Pipe	6 = 1 1/2"
810 = Double Strap Brass Saddle	PF - Push Fit (830 only)	7 = 2"
811 = Brass Saddle with Wide SS Strap		
812 = Single Strap Saddle with Double SS Strap		
820 = Single Strap Brass Saddle		
822 = Single Strap Saddle with SS Strap		
8403 = Stainless Steel Saddle		
425/435 = Stainless Steel Repair Clamp		
825/835 = 2 pc Stainless Steel Repair Clamp		
1625/1635 = 4 pc Stainless Steel Repair Clamp		

Saddles & Repair Clamps

Brass Hinged Saddles - C900 Size Saddles

Hinged Service Saddles are designed to give a positive water-tight seal with full support to the PVC pipe, without cracking or distorting the pipe. The pressure capabilities equal, but do not exceed the working pressure rating of the PVC pipe up to 200 PSIG. Installation instructions are provided with saddle. Please read and follow all instructions to ensure long lasting performance.

Materials

Top and Bottom
85-5-5-5 cast per ASTM B62

Silicon Bronze Bolts

- 1/2" Slotted Hex Head
- One bolt for all 3/4" and 1" taps
- Two bolts for all 1 1/2" and 2" taps

Silicon Bronze Hinge Pin

- .25" diameter - Standard for all sizes

Options

- Contact factory for 1 1/4" tapped saddles
- Contact factory for BSPT (British Standard Pipe Taper) tapped saddles

Notes

- Order saddles by model number, nominal pipe size and tap size
- All saddles have cast Pipe O.D. range identification and meet A.W.W.A. standards
- Use on cold water services only

Saddles & Repair Clamps



800 Series
Hinged 4" to 8"

Size	Part Number AWWA Tap	Part Number FIP Tap	O.D. Range	Tap Size	Weight Each	Price
4"	800-0480-A3	800-0480-F3	4.80"	3/4"	3.4	\$54.96
4"	800-0480-A4	800-0480-F4	4.80"	1"	3.4	\$54.96
4"	800-0480-A6	800-0480-F6	4.80"	1 1/2"	7.3	\$137.54
4"	800-0480-A7	800-0480-F7	4.80"	2"	6.7	\$137.54
6"	800-0690-A1	800-0690-F1	6.90"	1/2"	4.1	\$75.10
6"	800-0690-A3	800-0690-F3	6.90"	3/4"	4.2	\$75.10
6"	800-0690-A4	800-0690-F4	6.90"	1"	4.2	\$75.10
6"	800-0690-A6	800-0690-F6	6.90"	1 1/2"	7.8	\$141.70
6"	800-0690-A7	800-0690-F7	6.90"	2"	7.2	\$141.70
8"	800-0905-A3	800-0905-F3	9.05"	3/4"	5.3	\$105.11
8"	800-0905-A4	800-0905-F4	9.05"	1"	5.1	\$105.11
8"	800-0905-A6	800-0905-F6	9.05"	1 1/2"	9.7	\$161.79
8"	800-0905-A7	800-0905-F7	9.05"	2"	9.1	\$161.79



805 Series
Two Bolt Sizes 10" to 12"

805 Series for sizes over 10"						
Size	Part Number AWWA Tap	Part Number FIP Tap	O.D. Range	Tap Size	Weight Each	Price
10"	805-1110-A3	805-1110-F3	11.10"	3/4"	9.3	\$295.00
10"	805-1110-A4	805-1110-F4	11.10"	1"	9.2	\$295.00
10"	805-1110-A6	805-1110-F6	11.10"	1 1/2"	14.7	\$295.00
10"	805-1110-A7	805-1110-F7	11.10"	2"	14.1	\$295.00
12"	805-1320-A3	805-1320-F3	13.20"	3/4"	10.1	\$317.80
12"	805-1320-A4	805-1320-F4	13.20"	1"	10.0	\$317.80
12"	805-1320-A6	805-1320-F6	13.20"	1 1/2"	16.9	\$317.80
12"	805-1320-A7	805-1320-F7	13.20"	2"	16.3	\$317.80

Pricing in U.S. funds.

- All Saddles should be tested before bury
- Tighten to specified torque. Do not overtighten
- See installation instructions on page 20

Brass Hinged Saddles - IPS Size Saddles

Hinged Service Saddles are designed to give a positive water-tight seal with full support to the PVC pipe, without cracking or distorting the pipe. The pressure capabilities equal, but do not exceed the working pressure rating of the PVC pipe up to 200 PSIG. Installation instructions are provided with saddle. Please read and follow all instructions to ensure long lasting performance.

Materials

Top and Bottom
85-5-5-5 cast per ASTM B62

Silicon Bronze Bolts

- 1/2" Slotted Hex Head
- One bolt for all 3/4" and 1" taps
- Two bolts for all 1 1/2" and 2" taps

Silcon Bronze Hinge Pin

- .25" diameter - Standard for all sizes

Options

- Contact factory for 1 1/4" tapped saddles
- Contact factory for BSPT (British Standard Pipe Taper) tapped saddles

Notes

- Order saddles by model number, nominal pipe size and tap size
- All saddles have cast Pipe O.D. range identification and meet A.W.W.A. standards
- Use on cold water services only



800 Series
Hinged 4" to 8"



805 Series
Two Bolt Sizes 10" to 12"

Size	Part Number AWWA Tap	Part Number FIP Tap	O.D. Range	Tap Size	Weight Each	Price
2"	800-0238-A3	800-0238-F3	2.38"	3/4"	1.7	\$32.37
2"	800-0238-A4	800-0238-F4	2.38"	1"	1.6	\$32.37
2 1/2"	800-0288-A3	800-0288-F3	2.88"	3/4"	1.8	\$40.53
2 1/2"	800-0288-A4	800-0288-F4	2.88"	1"	1.8	\$40.53
3"	800-0350-A3	800-0350-F3	3.50"	3/4"	2.0	\$42.79
3"	800-0350-A4	800-0350-F4	3.50"	1"	1.9	\$42.79
4"	800-0450-A3	800-0450-F3	4.50"	3/4"	3.4	\$50.36
4"	800-0450-A4	800-0450-F4	4.50"	1"	3.2	\$50.36
4"	800-0450-A6	800-0450-F6	4.50"	1 1/2"	6.9	\$108.39
4"	800-0450-A7	800-0450-F7	4.50"	2"	6.3	\$108.39
6"	800-0663-A1	800-0663-F1	6.63"	1/2"	4.0	\$75.10
6"	800-0663-A3	800-0663-F3	6.63"	3/4"	4.1	\$75.10
6"	800-0663-A4	800-0663-F4	6.63"	1"	4.2	\$75.10
6"	800-0663-A6	800-0663-F6	6.63"	1 1/2"	7.6	\$141.70
6"	800-0663-A7	800-0663-F7	6.63"	2"	7.0	\$141.70
8"	800-0863-A3	800-0863-F3	8.63"	3/4"	5.0	\$103.19
8"	800-0863-A4	800-0863-F4	8.63"	1"	5.0	\$103.19
8"	800-0863-A6	800-0863-F6	8.63"	1 1/2"	9.6	\$146.13
8"	800-0863-A7	800-0863-F7	8.63"	2"	9.0	\$146.13

805 Series for sizes over 10"

10"	805-1075-A3	805-1075-F3	10.75"	3/4"	9.6	\$206.77
10"	805-1075-A4	805-1075-F4	10.75"	1"	9.5	\$206.77
10"	805-1075-A6	805-1075-F6	10.75"	1 1/2"	15.4	\$294.92
10"	805-1075-A7	805-1075-F7	10.75"	2"	14.8	\$294.92
12"	805-1275-A3	805-1275-F3	12.75"	3/4"	10.7	\$275.12
12"	805-1275-A4	805-1275-F4	12.75"	1"	10.6	\$275.12
12"	805-1275-A6	805-1275-F6	12.75"	1 1/2"	16.2	\$317.80
12"	805-1275-A7	805-1275-F7	12.75"	2"	15.6	\$317.80

- All Saddles should be tested before bury
- Tighten to specified torque. Do not overtighten
- See installation instructions on page 20

Pricing in U.S. funds.

Double Strap Brass Saddles

Bronze Double Strap Saddles with Brass Top for Cast Iron O.D. PVC Pipe

Cambridge Brass Double Band Service Saddles are designed for use on service line connections to ductile iron, asbestos-cement or cast iron O.D. pipe water mains. The pressure capabilities equal, but do not exceed, the working pressure rating of the pipe, up to 200 PSIG. For Ductile Iron Pipe. Installation instructions are provided with each saddle. Please read and follow instructions to ensure long lasting performance.

Materials

Body - 85-5-5-5 cast brass per ASTM B62

Band - Silicon Bronze ASTM B98 C65100

Nuts with enlarged washer bearing surface

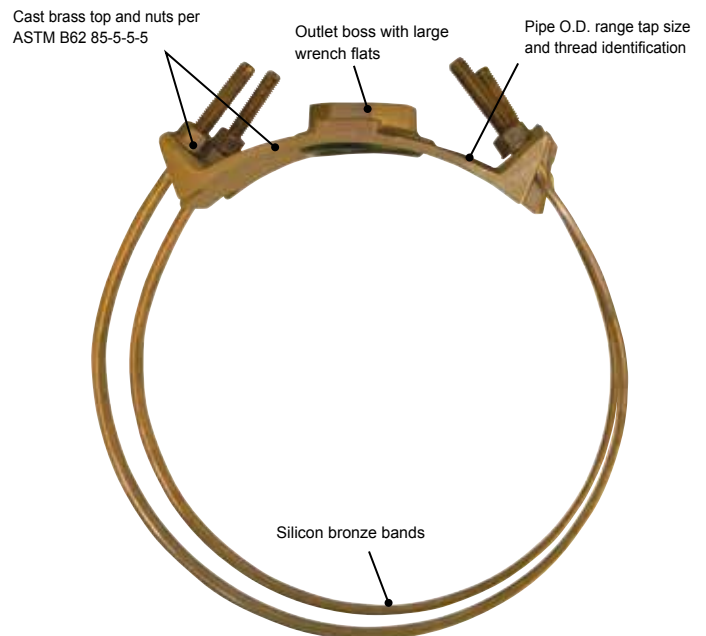
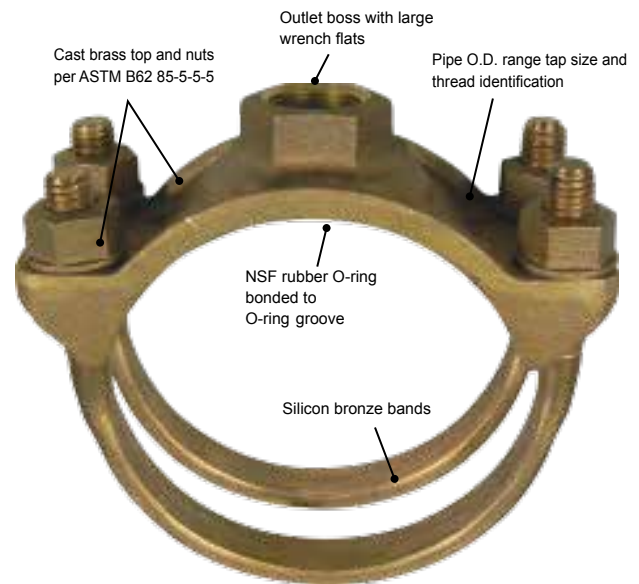
Stainless Steel with PTFE coating

Notes

- Order Saddles by Model Number, Nominal Pipe Size and Tap Size
- All Saddles have Pipe O.D. size identification
- All Cambridge Brass Service Saddles meet A.W.W.A. standards
- Use on cold water services only

Options

- Contact factory for 1 1/4" tapped saddles
- Contact factory for availability BSPT (British Standard Pipe Taper Thread) tapped saddles
- Additional cost and lead time will apply for non-stocked options and are non-returnable



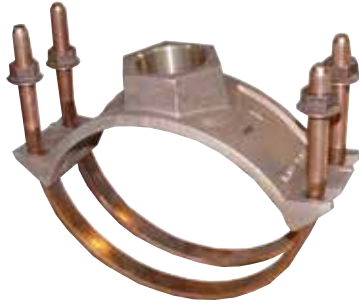
Pricing in U.S. funds.

- All Saddles should be tested before bury
- Tighten to specified torque. Do not overtighten
- See installation instructions on page 20

Double Strap Brass Saddles

Notes

- HDPE requests a Belleville washer kit add BW to end of part number....add on \$22.07



Size	Part Number AWWA Tap	Part Number FIP Tap	O.D. Range	Tap Size	Weight Each	List Price
4"	810-0480-A3	810-0480-F3	4.50"-4.80"	3/4"	6.0	\$143.59
4"	810-0480-A4	810-0480-F4	4.50"-4.80"	1"	6.0	\$143.59
4"	810-0480-A6	810-0480-F6	4.50"-4.80"	1 1/2"	7.2	\$167.46
4"	810-0480-A7	810-0480-F7	4.50"-4.80"	2"	7.4	\$182.28
4"	810-0540-A3	810-0540-F3	4.80"-5.40"	3/4"	6.0	\$143.59
4"	810-0540-A4	810-0540-F4	4.80"-5.40"	1"	6.0	\$143.59
4"	810-0540-A6	810-0540-F6	4.80"-5.40"	1 1/2"	7.2	\$167.46
4"	810-0540-A7	810-0540-F7	4.80"-5.40"	2"	7.4	\$182.28
6"	810-0750-A3	810-0750-F3	6.62"-7.50"	3/4"	7.4	\$169.12
6"	810-0750-A4	810-0750-F4	6.62"-7.50"	1"	7.4	\$169.12
6"	810-0750-A6	810-0750-F6	6.62"-7.50"	1 1/2"	8.6	\$193.37
6"	810-0750-A7	810-0750-F7	6.62"-7.50"	2"	8.8	\$212.44
8"	810-0962-A3	810-0962-F3	8.62"-9.62"	3/4"	9.0	\$209.30
8"	810-0962-A4	810-0962-F4	8.62"-9.62"	1"	9.0	\$209.30
8"	810-0962-A6	810-0962-F6	8.62"-9.62"	1 1/2"	10.0	\$220.35
8"	810-0962-A7	810-0962-F7	8.62"-9.62"	2"	10.3	\$239.90
10"	810-1212-A3	810-1212-F3	10.75"-12.12"	3/4"	10.6	\$259.32
10"	810-1212-A4	810-1212-F4	10.75"-12.12"	1"	11.0	\$259.32
10"	810-1212-A6	810-1212-F6	10.75"-12.12"	1 1/2"	11.7	\$284.78
10"	810-1212-A7	810-1212-F7	10.75"-12.12"	2"	11.7	\$305.86
12"	810-1438-A3	810-1438-F3	12.75"-14.38"	3/4"	12.3	\$303.48
12"	810-1438-A4	810-1438-F4	12.75"-14.38"	1"	12.3	\$303.48
12"	810-1438-A6	810-1438-F6	12.75"-14.38"	1 1/2"	13.7	\$342.28
12"	810-1438-A7	810-1438-F7	12.75"-14.38"	2"	13.7	\$348.45

Saddles & Repair Clamps

- All Saddles should be tested before bury
- Tighten to specified torque. Do not overtighten
- See installation instructions on page 20

Pricing in U.S. funds.

Service Saddles with Wide Stainless Steel Strap

Wide Stainless Steel Band Saddles with Brass Top for Cast Iron O.D. PVC Pipe (AWWA C900)

Cambridge Brass Service Saddles with Wide Stainless Steel Band are designed for use on service line connections to cast iron O.D. PVC pipe AWWA C-905 water mains. The pressure capabilities equal, but do not exceed, the working pressure rating of the pipe, up to 200 PSIG. For C900 PVC Pipe. Can also be used on AC, Cast Iron or Ductile Iron Pipe. Installation instructions are provided with each saddle. Please read and follow instructions to ensure long lasting performance.

Materials

Body - 85-5-5-5 cast brass per ASTM 62

Band and Studs - 304 Stainless Steel

Nuts and Washers - 304 Stainless Steel

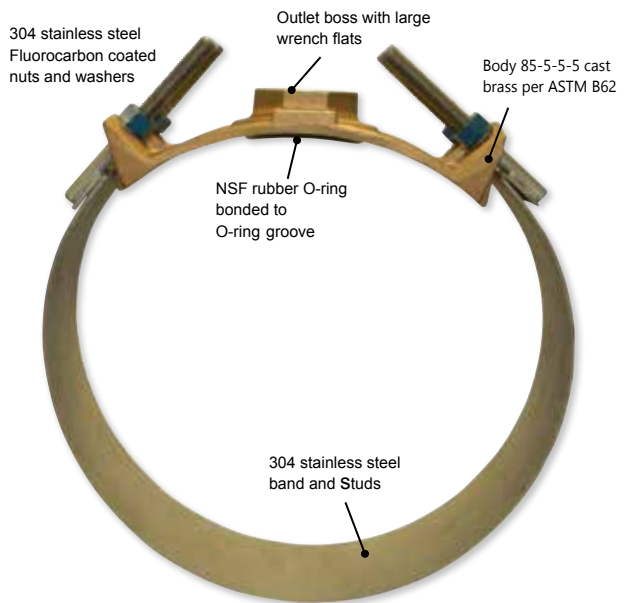
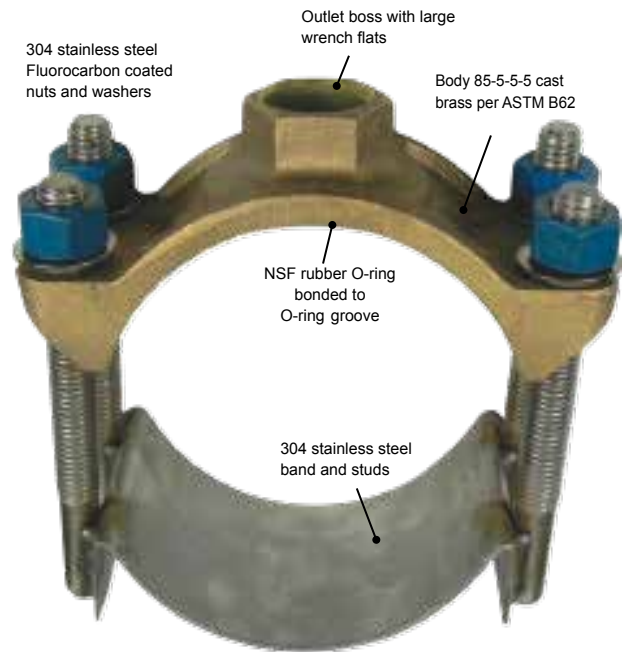
Nuts are supplied with Fluorocarbon coating

Notes

- Order Saddles by Model Number, Nominal Pipe Size and Tap Size
- All Saddles have Pipe O.D. range identification.
- All Cambridge Brass Service Saddles meet A.W.W.A. standards
- Use on cold water services only

Options

- Contact factory for 1 1/4" tapped saddles.
- Contact factory for availability BSPT (British Standard Pipe Taper Thread) tapped saddles
- HDPE requires a Belleville washer kit add BW to end of part number add on \$22.91



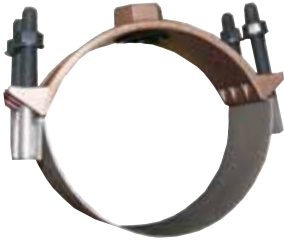
Pricing in U.S. funds.

- All Saddles should be tested before bury
- Tighten to specified torque. Do not overtighten
- See installation instructions on page 20
- HDPE requires a Belleville washer kit add BW to end of part number add on \$22.07

Brass Saddles with Wide Stainless Steel Strap

Notes

- HDPE requests a Belleville washer kit add BW to end of part number....add on \$22.07



Size	Part Number AWWA Tap	Part Number FIP Tap	O.D. Range	Tap Size	Weight Each	List Price
4"	811-0480-A3	811-0480-F3	4.50"-4.80"	3/4"	6.2	\$166.27
4"	811-0480-A4	811-0480-F4	4.50"-4.80"	1"	6.2	\$166.27
4"	811-0480-A6	811-0480-F6	4.50"-4.80"	1 1/2"	7.4	\$193.91
4"	811-0480-A7	811-0480-F7	4.50"-4.80"	2"	7.4	\$200.52
4"	811-0540-A3	811-0540-F3	4.80"-5.40"	3/4"	6.2	\$166.27
4"	811-0540-A4	811-0540-F4	4.80"-5.40"	1"	6.2	\$166.27
4"	811-0540-A6	811-0540-F6	4.80"-5.40"	1 1/2"	7.4	\$193.91
4"	811-0540-A7	811-0540-F7	4.80"-5.40"	2"	7.4	\$200.52
6"	811-0750-A3	811-0750-F3	6.62"-7.50"	3/4"	7.2	\$195.80
6"	811-0750-A4	811-0750-F4	6.62"-7.50"	1"	7.2	\$195.80
6"	811-0750-A6	811-0750-F6	6.62"-7.50"	1 1/2"	8.2	\$223.88
6"	811-0750-A7	811-0750-F7	6.62"-7.50"	2"	8.4	\$233.69
8"	811-0962-A3	811-0962-F3	8.62"-9.62"	3/4"	8.2	\$242.39
8"	811-0962-A4	811-0962-F4	8.62"-9.62"	1"	8.2	\$242.39
8"	811-0962-A6	811-0962-F6	8.62"-9.62"	1 1/2"	9.3	\$255.11
8"	811-0962-A7	811-0962-F7	8.62"-9.62"	2"	9.3	\$263.86
10"	811-1212-A3	811-1212-F3	10.75"-12.12"	3/4"	9.3	\$300.25
10"	811-1212-A4	811-1212-F4	10.75"-12.12"	1"	9.3	\$300.25
10"	811-1212-A6	811-1212-F6	10.75"-12.12"	1 1/2"	11.0	\$329.76
10"	811-1212-A7	811-1212-F7	10.75"-12.12"	2"	11.0	\$336.40
12"	811-1438-A3	811-1438-F3	12.75"-14.38"	3/4"	10.7	\$333.85
12"	811-1438-A4	811-1438-F4	12.75"-14.38"	1"	10.7	\$333.85
12"	811-1438-A6	811-1438-F6	12.75"-14.38"	1 1/2"	12.0	\$376.49
12"	811-1438-A7	811-1438-F7	12.75"-14.38"	2"	12.0	\$383.39
14"	811-1625-A3	811-1625-F3	15.30" - 16.25"	3/4"	21.1	\$726.57
14"	811-1625-A4	811-1625-F4	15.30" - 16.25"	1"	21.1	\$726.57
14"	811-1625-A6	811-1625-F6	15.30" - 16.25"	1 1/2"	20.7	\$781.55
14"	811-1625-A7	811-1625-F7	15.30" - 16.25"	2"	22.0	\$813.65
14"	811-1725-A3	811-1725-F3	16.30" - 17.25"	3/4"	22.0	\$829.77
14"	811-1725-A4	811-1725-F4	16.30" - 17.25"	1"	22.0	\$829.77
14"	811-1725-A6	811-1725-F6	16.30" - 17.25"	1 1/2"	22.0	\$891.39
14"	811-1725-A7	811-1725-F7	16.30" - 17.25"	2"	22.0	\$995.55
16"	811-1840-A3	811-1840-F3	17.40" - 18.40"	3/4"	20.4	\$878.54
16"	811-1840-A4	811-1840-F4	17.40" - 18.40"	1"	19.8	\$878.54
16"	811-1840-A6	811-1840-F6	17.40" - 18.40"	1 1/2"	19.5	\$932.21
16"	811-1840-A7	811-1840-F7	17.40" - 18.40"	2"	21.5	\$1,030.22

Saddles & Repair Clamps

- All Saddles should be tested before bury
- Tighten to specified torque. Do not overtighten
- See installation instructions on page 20
- HDPE requires a Belleville washer kit add BW to end of part number add on \$22.07

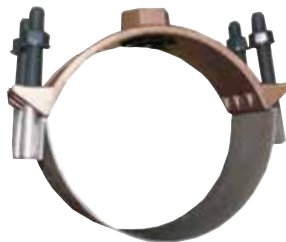
Pricing in U.S. funds.

Saddles & Repair Clamps

Brass Saddles with Wide Stainless Steel Strap

Notes

- HDPE requests a Belleville washer kit add BW to end of part number....add on \$22.07



Saddles & Repair Clamps

Size	Part Number AWWA Tap	Part Number FIP Tap	O.D. Range	Tap Size	Weight Each	List Price
16"	811-1925-A3	811-1925-F3	18.50" - 19.25"	3/4"	22.0	\$878.54
16"	811-1925-A4	811-1925-F4	18.50" - 19.25"	1"	22.0	\$878.54
16"	811-1925-A6	811-1925-F6	18.50" - 19.25"	1 1/2"	22.0	\$932.21
16"	811-1925-A7	811-1925-F7	18.50" - 19.25"	2"	22.0	\$1,030.22
18"	811-2050-A3	811-2050-F3	19.50" - 20.50"	3/4"	22.5	\$1,034.77
18"	811-2050-A4	811-2050-F4	19.50" - 20.50"	1"	22.5	\$1,034.77
18"	811-2050-A6	811-2050-F6	19.50" - 20.50"	1 1/2"	22.5	\$1,034.77
18"	811-2050-A7	811-2050-F7	19.50" - 20.50"	2"	22.5	\$1,034.77
20"	811-2220-A3	811-2220-F3	21.20" - 22.20"	3/4"	22.6	\$1,064.83
20"	811-2220-A4	811-2220-F4	21.20" - 22.20"	1"	23.0	\$1,064.83
20"	811-2220-A6	811-2220-F6	21.20" - 22.20"	1 1/2"	23.0	\$1,064.83
20"	811-2220-A7	811-2220-F7	21.20" - 22.20"	2"	23.0	\$1,064.83
20"	811-2350-A3	811-2350-F3	22.50" - 23.50"	3/4"	24.0	\$1,096.67
20"	811-2350-A4	811-2350-F4	22.50" - 23.50"	1"	24.0	\$1,096.67
20"	811-2350-A6	811-2350-F6	22.50" - 23.50"	1 1/2"	24.0	\$1,096.67
20"	811-2350-A7	811-2350-F7	22.50" - 23.50"	2"	24.0	\$1,096.67
24"	811-2480-A3	811-2480-F3	23.80" - 24.80"	3/4"	24.5	\$1,142.42
24"	811-2480-A4	811-2480-F4	23.80" - 24.80"	1"	26.0	\$1,142.42
24"	811-2480-A6	811-2480-F6	23.80" - 24.80"	1 1/2"	25.0	\$1,142.42
24"	811-2480-A7	811-2480-F7	23.80" - 24.80"	2"	25.0	\$1,142.42
24"	811-2650-A3	811-2650-F3	25.60" - 26.50"	3/4"	25.0	\$1,169.95
24"	811-2650-A4	811-2650-F4	25.60" - 26.50"	1"	25.0	\$1,169.95
24"	811-2650-A6	811-2650-F6	25.60" - 26.50"	1 1/2"	25.0	\$1,169.95
24"	811-2650-A7	811-2650-F7	25.60" - 26.50"	2"	25.0	\$1,169.95
30"	811-3274-A3	811-3274-F3	31.74" - 32.74"	3/4"	30.0	\$1,228.63
30"	811-3274-A4	811-3274-F4	31.74" - 32.74"	1"	30.0	\$1,228.63
30"	811-3274-A6	811-3274-F6	31.74" - 32.74"	1 1/2"	30.0	\$1,228.63
30"	811-3274-A7	811-3274-F7	31.74" - 32.74"	2"	30.0	\$1,228.63

Pricing in U.S. funds.

- All Saddles should be tested before bury
- Tighten to specified torque. Do not overtighten
- See installation instructions on page 20
- HDPE requires a Belleville washer kit add BW to end of part number add on \$22.07

Brass Saddles with Double Stainless Steel Strap

Stainless Steel Double Band Saddles with Brass Top for Cast Iron O.D. PVC Pipe (AWWA C900)

Cambridge Brass Service Saddles with two Stainless Steel Bands are designed for use on service line connections to cast iron O.D. PVC pipe AWWA C-900 water mains. The pressure capabilities equal, but do not exceed, the working pressure rating of the pipe, up to 200 PSIG. Can also be used on AC, Cast Iron or Ductile Iron Pipe. Installation instructions are provided with each saddle. Please read and follow instructions to ensure long lasting performance.

Materials

Body - 85-5-5-5 cast brass per ASTM 62

Band and Studs - 304 Stainless Steel

Nuts and Washers - 304 Stainless Steel

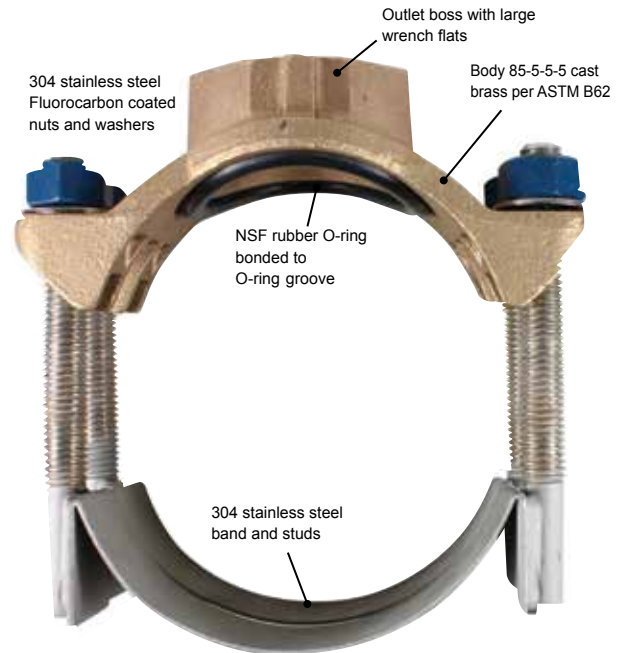
Nuts are supplied with Fluorocarbon coating

Notes

- All Saddles have cast Pipe O.D. range identification.
- All Cambridge Brass Service Saddles meet A.W.W.A. standards
- Use on cold water services only
- HDPE requires a Belleville washer kit add BW to end of part number add on \$22.91

Options

- Contact factory for 1 1/4" tapped saddles
- Contact factory for availability BSPT (British Standard Pipe Taper Thread) tapped saddles

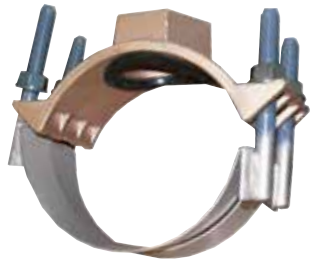


- All Saddles should be tested before bury
- Tighten to specified torque. Do not overtighten
- See installation instructions on page 20
- HDPE requires a Belleville washer kit add BW to end of part number add on \$22.07

Pricing in U.S. funds.

Saddles & Repair Clamps

Brass Saddles with Double Stainless Steel Strap



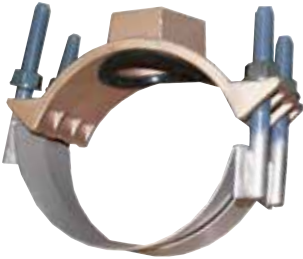
Saddles & Repair Clamps

Size	Part Number AWWA Tap	Part Number FIP Tap	O.D. Range	Tap Size	Weight Each	List Price
4"	812-0480-A3	812-0480-F3	4.50"-4.80"	3/4"	6.8	\$166.27
4"	812-0480-A4	812-0480-F4	4.50"-4.80"	1"	6.8	\$166.27
4"	812-0480-A6	812-0480-F6	4.50"-4.80"	1 1/2"	7.4	\$193.91
4"	812-0480-A7	812-0480-F7	4.50"-4.80"	2"	7.6	\$200.52
4"	812-0540-A3	812-0540-F3	4.80"-5.40"	3/4"	6.8	\$166.27
4"	812-0540-A4	812-0540-F4	4.80"-5.40"	1"	6.8	\$166.27
4"	812-0540-A6	812-0540-F6	4.80"-5.40"	1 1/2"	7.4	\$193.91
4"	812-0540-A7	812-0540-F7	4.80"-5.40"	2"	7.6	\$200.52
6"	812-0750-A3	812-0750-F3	6.62"-7.50"	3/4"	7.2	\$195.80
6"	812-0750-A4	812-0750-F4	6.62"-7.50"	1"	7.2	\$195.80
6"	812-0750-A6	812-0750-F6	6.62"-7.50"	1 1/2"	8.4	\$223.88
6"	812-0750-A7	812-0750-F7	6.62"-7.50"	2"	8.4	\$233.69
8"	812-0962-A3	812-0962-F3	8.62"-9.62"	3/4"	8.4	\$242.39
8"	812-0962-A4	812-0962-F4	8.62"-9.62"	1"	8.4	\$242.39
8"	812-0962-A6	812-0962-F6	8.62"-9.62"	1 1/2"	9.5	\$255.11
8"	812-0962-A7	812-0962-F7	8.62"-9.62"	2"	9.8	\$264.09
10"	812-1212-A3	812-1212-F3	10.75"-12.12"	3/4"	9.7	\$301.64
10"	812-1212-A4	812-1212-F4	10.75"-12.12"	1"	9.7	\$301.64
10"	812-1212-A6	812-1212-F6	10.75"-12.12"	1 1/2"	11.0	\$329.76
10"	812-1212-A7	812-1212-F7	10.75"-12.12"	2"	11.0	\$336.40
12"	812-1438-A3	812-1438-F3	12.75"-14.38"	3/4"	11.0	\$333.85
12"	812-1438-A4	812-1438-F4	12.75"-14.38"	1"	11.0	\$333.85
12"	812-1438-A6	812-1438-F6	12.75"-14.38"	1 1/2"	12.7	\$376.49
12"	812-1438-A7	812-1438-F7	12.75"-14.38"	2"	12.7	\$383.39
14"	812-1625-A3	812-1625-F3	15.30" - 16.25"	3/4"	21.1	\$813.76
14"	812-1625-A4	812-1625-F4	15.30" - 16.25"	1"	21.1	\$813.76
14"	812-1625-A6	812-1625-F6	15.30" - 16.25"	1 1/2"	20.7	\$875.34
14"	812-1625-A7	812-1625-F7	15.30" - 16.25"	2"	22.0	\$911.29
14"	812-1725-A3	812-1725-F3	16.30" - 17.25"	3/4"	22.0	\$929.34
14"	812-1725-A4	812-1725-F4	15.30"- 16.25"	3/4"	21.0	\$929.34
14"	812-1725-A6	812-1725-F6	15.30"- 16.25"	1"	21.1	\$998.35
14"	812-1725-A7	812-1725-F7	15.30"- 16.25"	1 1/2"	20.8	\$1,115.03
14"	812-1840-A3	812-1840-F3	15.30"- 16.25"	2"	22.0	\$945.84
14"	812-1840-A4	812-1840-F4	16.30"- 17.25"	3/4"	22.0	\$945.84
14"	812-1840-A6	812-1840-F6	16.30"- 17.25"	1"	22.0	\$1,044.08
14"	812-1840-A7	812-1840-F7	16.30"- 17.25"	1 1/2"	22.0	\$1,153.85

Pricing in U.S. funds.

- All Saddles should be tested before bury
- Tighten to specified torque. Do not overtighten
- See installation instructions on page 20
- HDPE requires a Belleville washer kit add BW to end of part number add on \$22.07

Brass Saddles with Double Stainless Steel Strap



Size	Part Number AWWA Tap	Part Number FIP Tap	O.D. Range	Tap Size	Weight Each	List Price
16"	812-1840-A3	812-1840-F3	17.40"- 18.40"	3/4"	20.4	\$945.84
16"	812-1840-A4	812-1840-F4	17.40"- 18.40"	1"	19.8	\$945.84
16"	812-1840-A6	812-1840-F6	17.40"- 18.40"	1 1/2"	19.5	\$1,044.08
16"	812-1840-A7	812-1840-F7	17.40"- 18.40"	2"	21.5	\$1,153.85
16"	812-1925-A3	812-1925-F3	18.50"- 19.25"	3/4"	22.0	\$945.84
16"	812-1925-A4	812-1925-F4	18.50"- 19.25"	1"	22.0	\$945.84
16"	812-1925-A6	812-1925-F6	18.50"- 19.25"	1 1/2"	22.0	\$1,044.08
16"	812-1925-A7	812-1925-F7	18.50"- 19.25"	2"	22.0	\$1,153.85
18"	812-2050-A3	812-2050-F3	19.50"- 20.50"	3/4"	22.5	\$1,158.94
18"	812-2050-A4	812-2050-F4	19.50"- 20.50"	1"	22.5	\$1,158.94
18"	812-2050-A6	812-2050-F6	19.50"- 20.50"	1 1/2"	22.5	\$1,158.94
18"	812-2050-A7	812-2050-F7	19.50"- 20.50"	2"	22.5	\$1,158.94
20"	812-2220-A3	812-2220-F3	21.20"- 22.20"	3/4"	22.6	\$1,192.61
20"	812-2220-A4	812-2220-F4	21.20"- 22.20"	1"	23.0	\$1,192.61
20"	812-2220-A6	812-2220-F6	21.20"- 22.20"	1 1/2"	23.0	\$1,192.61
20"	812-2220-A7	812-2220-F7	21.20"- 22.20"	2"	23.0	\$1,192.61
20"	812-2350-A3	812-2350-F3	22.50"- 23.50"	3/4"	24.0	\$1,228.28
20"	812-2350-A4	812-2350-F4	22.50"- 23.50"	1"	24.0	\$1,228.28
20"	812-2350-A6	812-2350-F6	22.50"- 23.50"	1 1/2"	24.0	\$1,228.28
20"	812-2350-A7	812-2350-F7	22.50"- 23.50"	2"	24.0	\$1,228.28
24"	812-2480-A3	812-2480-F3	23.80"- 24.80"	3/4"	24.5	\$1,279.52
24"	812-2480-A4	812-2480-F4	23.80"- 24.80"	1"	26.0	\$1,279.52
24"	812-2480-A6	812-2480-F6	23.80"- 24.80"	1 1/2"	25.0	\$1,279.52
24"	812-2480-A7	812-2480-F7	23.80"- 24.80"	2"	25.0	\$1,279.52
24"	812-2650-A3	812-2650-F3	25.60"-26.50"	3/4"	25.0	\$1,310.34
24"	812-2650-A4	812-2650-F4	25.60"-26.50"	1"	25.0	\$1,310.34
24"	812-2650-A6	812-2650-F6	25.60"-26.50"	1 1/2"	25.0	\$1,310.34
24"	812-2650-A7	812-2650-F7	25.60"-26.50"	2"	25.0	\$1,310.34
30"	812-3274-A3	812-3274-F3	31.74"- 32.74"	3/4"	30.0	\$1,376.07
30"	812-3274-A4	812-3274-F4	31.74"- 32.74"	1"	30.0	\$1,376.07
30"	812-3274-A6	812-3274-F6	31.74"- 32.74"	1 1/2"	30.0	\$1,376.07
30"	812-3274-A7	812-3274-F7	31.74"- 32.74"	2"	30.0	\$1,376.07

Saddles & Repair Clamps

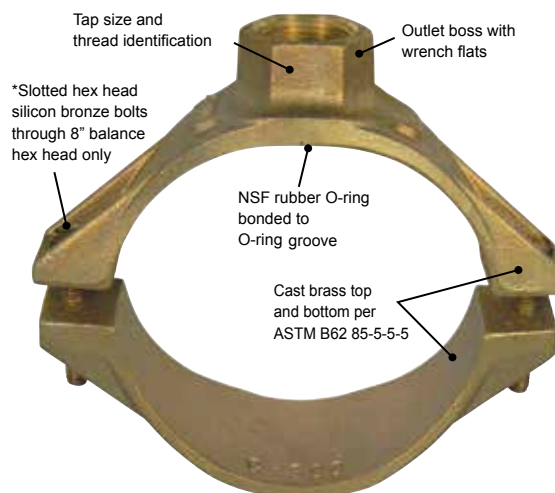
- All Saddles should be tested before bury
- Tighten to specified torque. Do not overtighten
- See installation instructions on page 20
- HDPE requires a Belleville washer kit add BW to end of part number add on \$22.07

Pricing in U.S. funds.

Single Strap Brass Saddles

All Brass Two Bolt Saddles for Cast Iron O.D. PVC Pipe (AWWA C900)

Cambridge Brass Service Saddles are designed to give a positive water-tight seal with full support to the PVC pipe, without cracking or distorting the pipe. Order the correct saddles for your use from the charts below. **Not** for use with ductile iron, asbestos-cement, cast iron pipe or copper tube. The pressure capabilities equal, but do not exceed, the working pressure rating of the pipe, up to 200 PSIG. Installation instructions are provided with each saddle. Please read and follow instructions to ensure long lasting performance.



Materials

Top and Bottom

85-5-5-5 cast brass per ASTM B62

Silicon Bronze Bolts

- 1/2" Slotted Hex Head
5/16" - 18 UNC - 2A x 2" long
fits on 2", 2 1/2", 3", 4", 6" & 8" diameter saddles with 3/4" and 1" Taps
- 5/8" Slotted Hex Head
7/16" - 14 UNC - 2A x 2" long
fits on 4", 6" & 8" diameter saddles with 1 1/2" and 2" Taps
- 3/4" Hex Head
1/2" - 13 UNC - 2A x 3" long
fits on 10" & 12" diameter saddles with 1/2" - 2" Taps

Options

- Contact factory for 1 1/4" tapped saddles
- Contact factory for BSPT (British Standard Taper Thread) tapped saddles

Notes

- All Saddles have cast Pipe O.D. range identification
- All Cambridge Brass Service Saddles meet A.W.W.A. standards
- Use on cold water services only

Size	Part Number AWWA Tap	Part Number FIP Tap	O.D. Range	Tap Size	Weight Each	Price
4"	820-0480-A1	820-0480-F1	4.50" - 4.80"	1/2"	6.2	\$79.13
4"	820-0480-A3	820-0480-F3	4.50" - 4.80"	3/4"	6.2	\$79.13
4"	820-0480-A4	820-0480-F4	4.50" - 4.80"	1"	6.2	\$79.13
6"	820-0750-A1	820-0750-F1	6.62" - 7.50"	1/2"	7.2	\$96.30
6"	820-0750-A3	820-0750-F3	6.62" - 7.50"	3/4"	7.2	\$96.30
6"	820-0750-A4	820-0750-F4	6.62" - 7.50"	1"	7.2	\$96.30
8"	820-0962-A1	820-0962-F1	8.62" - 9.62"	1/2"	8.2	\$122.74
8"	820-0962-A3	820-0962-F3	8.62" - 9.62"	3/4"	8.2	\$122.74
8"	820-0962-A4	820-0962-F4	8.62" - 9.62"	1"	8.2	\$122.74

Pricing in U.S. funds.

- All Saddles should be tested before bury
- Tighten to specified torque. Do not overtighten
- See installation instructions on page 20

Single Strap Brass Saddles Stainless Steel Strap

Stainless Steel Single Band Saddles with Brass Top for Cast Iron O.D. PVC Pipe (AWWA C900)

Cambridge Brass Service Saddles with Stainless Steel Band are designed for use on service line connections to cast iron O.D. PVC pipe AWWA C-900 water mains. The pressure capabilities equal, but do not exceed, the working pressure rating of the pipe, up to 200 PSIG. Can also be used on AC, Cast Iron or Ductile Iron Pipe. Installation instructions are provided with each saddle. Please read and follow instructions to ensure long lasting performance.

Materials

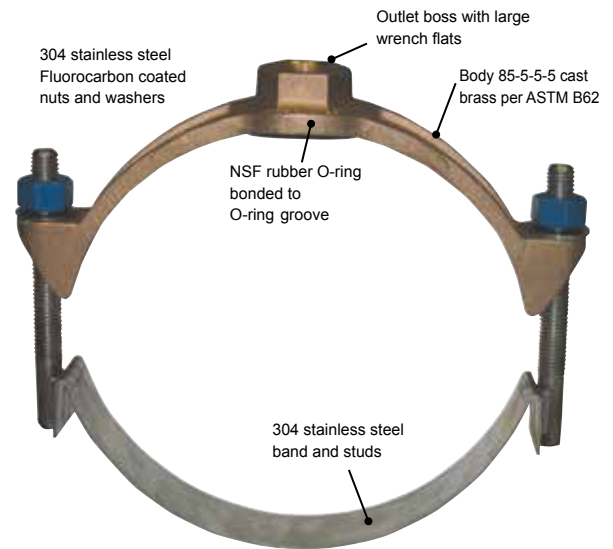
- Body** - 85-5-5-5 cast brass per ASTM B62
- Band and Studs** - 304 Stainless Steel
- Nuts and Washers** - 304 Stainless Steel
- Nuts are supplied with Fluorocarbon coating

Notes

- All Saddles have cast Pipe O.D. range identification
- All Cambridge Brass Service Saddles meet A.W.W.A. standards
- Use on cold water services only
- HDPE requires a Belleville washer kit add BW to end of part number add on \$28.88

Options

- Contact factory for 1 1/4" tapped saddles
- Contact factory for availability BSPT (British Standard Pipe Taper Thread) tapped saddles



Size	Part Number AWWA Tap	Part Number FIP Tap	O.D. Range	Tap Size	Weight Each	Price
4"	822-0480-A1	822-0480-F1	4.50" - 4.80"	1/2"	6.2	\$91.64
4"	822-0480-A3	822-0480-F3	4.50" - 4.80"	3/4"	6.2	\$91.64
4"	822-0480-A4	822-0480-F4	4.50" - 4.80"	1"	6.2	\$91.64
6"	822-0750-A1	822-0750-F1	6.62" - 7.50"	1/2"	7.2	\$111.50
6"	822-0750-A3	822-0750-F3	6.62" - 7.50"	3/4"	7.2	\$111.50
6"	822-0750-A4	822-0750-F4	6.62" - 7.50"	1"	7.2	\$111.50
8"	822-0962-A1	822-0962-F1	8.62" - 9.62"	1/2"	8.2	\$142.10
8"	822-0962-A3	822-0962-F3	8.62" - 9.62"	3/4"	8.2	\$142.10
8"	822-0962-A4	822-0962-F4	8.62" - 9.62"	1"	8.2	\$142.10

- All Saddles should be tested before bury
- Tighten to specified torque. Do not overtighten
- See installation instructions on page 18

Pricing in U.S. funds.

Saddles & Repair Clamps

Ferrule Strap Saddles

Notes

- Replacement components available for banjo, cap, cutter, grip, o-ring. Please call for details.



Size	Part Number AWWA Tap	O.D. Range	Tap Size	Weight Each	List Price
4"	830-0450-PF1	4.50"	1/2" PE	3.9	\$109.69
4"	830-0450-PF3	4.50"	3/4" PE	3.9	\$108.08
4"	830-0450-PF4	4.50"	1" PE	4.9	\$142.90
4"	830-0450-PF25	4.50"	25MM	3.9	\$108.16
4"	830-0450-F1	4.50"	1/2" FIP	3.9	\$106.85
4"	830-0450-F3	4.50"	3/4" FIP	3.9	\$108.30
4"	830-0450-F4	4.50"	1" FIP	4.9	\$141.98
6"	830-0663-PF3	6.63"	3/4" PE	4.3	\$118.00
6"	830-0663-PF4	6.63"	1" PE	5.3	\$152.77
6"	830-0663-PF25	6.63"	25MM	4.3	\$118.08
6"	830-0663-F3	6.63"	3/4"	4.3	\$118.22
6"	830-0663-F4	6.63"	1"	5.3	\$151.87
8"	830-0863-PF3	8.63"	3/4" PE	4.6	\$143.77
8"	830-0863-PF4	8.63"	1" PE	5.6	\$178.57
8"	830-0863-PF25	8.83"	25MM	4.6	\$143.84
8"	830-0863-F3	8.83"	3/4"	4.6	\$143.99
8"	830-0863-F4	8.83"	1"	5.6	\$177.67

Saddles & Repair Clamps

Pricing in U.S. funds.

- Insert stiffeners are required for all connections using plastic flexible pipe see page 71
- See installation instructions on page 10

Brass Bushings

Series 83NL

AWWA Thread x AWWA Thread



Part Number	Inlet Size	Outlet Size	Wt. Each (lbs)	Box Qty	List Price
83NL-A3A1	3/4"	1/2"	0.3	50	\$16.67
83NL-A4A3	1"	3/4"	0.4	40	\$20.61
83NL-A6A3	1 1/2"	3/4"	1.3	18	\$55.59
83NL-A6A4	1 1/2"	1"	1.3	18	\$55.76
83NL-A7A3	2"	3/4"	1.6	12	\$89.00
83NL-A7A4	2"	1"	1.5	12	\$91.02
83NL-A7A6	2"	1 1/2"	1.7	12	\$67.87

Series 83NL

MIP Thread x AWWA Thread



Part Number	Inlet Size	Outlet Size	Wt. Each (lbs)	Box Qty	List Price
83NL-M4A3	1"	3/4"	0.7	32	\$20.97
83NL-M6A3	1 1/2"	3/4"	1.1	18	\$53.57
83NL-M6A4	1 1/2"	1"	1.1	18	\$51.83
83NL-M7A3	2"	3/4"	1.1	12	\$68.55
83NL-M7A4	2"	1"	1.1	12	\$74.20
83NL-M7A6	2"	1 1/2"	1.3	12	\$58.76

Series 83NL

MIP Thread x FIP Thread



Part Number	Inlet Size	Outlet Size	Wt. Each (lbs)	Box Qty	List Price
83NL-M4F3	1"	3/4"	0.9	32	\$15.78
83NL-M5F4	1 1/4"	1"	1.1	30	\$48.85
83NL-M6F4	1 1/2"	1"	1.2	30	\$51.88
83NL-M7F4	2"	1"	1.0	20	\$74.20
83NL-M7F6	2"	1 1/2"	1.2	10	\$58.77

Series 46NL

Belleville Washer Kit
(For HDPE Pipe)



Part Number	Wt. Each (lbs)	Box Qty	List Price
46-2		8	\$22.07

• Insert stiffeners are required for all connections using plastic flexible pipe see page 71
• See installation instructions on page 10

Pricing in U.S. funds.

8403 TECK™ Stainless Steel Saddles Double Bolt

Stainless Steel TECK™ service saddles feature a fully welded bar, chemically passivated welds, anti-gall nuts, EPDM ring gasket, and AWWA, FNPT and BSPT taps. Multiple sizes are available including standard and custom diameter ranges. Installation instructions are provided with each saddle. Please read and follow instructions to ensure long lasting performance.

Materials

- Band - ASTM A240 type 304 (18-8) stainless steel
- Lifter Plate - ASTM A240 Type 304 (18-8) stainless steel
- Gasket - EPDM ring gasket meets ASTM D2000 and NDF 61
- Studs - ASTM F593 Type 304 (18-8) stainless steel
- Nuts - ASTM F594 Type 304 (18-8) stainless steel PTFE coated to prevent galling
- Washers - ASME B18.221 Type 304 (18-8) stainless steel

Notes

- Order saddles by model numbers for example 8403-0690-A3
- All saddles have Pipe O.D. size identification
- All saddles meet AWWA standards and are certified to NSF 61
- Rated for 250 PSI working pressure
- Belleville Washer kits (for HDPE pipe) available
- Laser etched Label for part number, description, brief instruction and manufacturing date



Pricing in U.S. funds.

- All Saddles should be tested before bury
- Tighten to specified torque. Do not overtighten
- See installation instructions on page 20
- HDPE requires a Belleville washer kit add BW to end of part number add on \$22.07

8403 TECK™ Stainless Steel Saddles Double Bolt

Product certified to Standard NSF 61

4" nominal size	A3/A4/F3/F4	20 Gauge	6" Wide
4" nominal size	A5/A6/A7/F5/F6/F7	20 Gauge	8" Wide
6" to 8" nominal size	A3/A4/F3/F4	20 Gauge	6" Wide
6" to 8" nominal size	A5/A6/A7/F5/F6/F7	18 Gauge	8" Wide
All 10" nominal size and larger	A3/A4/F3/F4	18 Gauge	6" Wide
All 10" nominal size and larger	A5/A6/A7/F5/F6/F7	18 Gauge	8" Wide



Series	Part Number		Pipe OD Range			Price
	Size	Outlet AWWA or FIP	Nom.	Min.	Max.	
8403	0450	A3 or F3	4	4.30	4.70	\$77.04
8403	0450	A4 or F4	4	4.30	4.70	\$77.04
8403	0450	A5 or F5	4	4.30	4.70	\$152.94
8403	0450	A6 or F6	4	4.30	4.70	\$152.94
8403	0450	A7 or F7	4	4.30	4.70	\$152.94
8403	0480	A3 or F3	4	4.60	5.00	\$77.04
8403	0480	A4 or F4	4	4.60	5.00	\$77.04
8403	0480	A5 or F5	4	4.60	5.00	\$152.94
8403	0480	A6 or F6	4	4.60	5.00	\$152.94
8403	0480	A7 or F7	4	4.60	5.00	\$152.94
8403	0663	A3 or F3	6	6.43	6.83	\$110.23
8403	0663	A4 or F4	6	6.43	6.83	\$110.23
8403	0663	A5 or F5	6	6.43	6.83	\$157.40
8403	0663	A6 or F6	6	6.43	6.83	\$157.40
8403	0663	A7 or F7	6	6.43	6.83	\$157.40
8403	0690	A3 or F3	6	6.70	7.10	\$110.23
8403	0690	A4 or F4	6	6.70	7.10	\$110.23
8403	0690	A5 or F5	6	6.70	7.10	\$157.40
8403	0690	A6 or F6	6	6.70	7.10	\$157.40
8403	0690	A7 or F7	6	6.70	7.10	\$157.40
8403	0863	A3 or F3	8	8.43	8.83	\$111.82
8403	0863	A4 or F4	8	8.43	8.83	\$111.82
8403	0863	A5 or F5	8	8.43	8.83	\$162.84
8403	0863	A6 or F6	8	8.43	8.83	\$162.84
8403	0863	A7 or F7	8	8.43	8.83	\$162.84
8403	0905	A3 or F3	8	8.85	9.25	\$111.82
8403	0905	A4 or F4	8	8.85	9.25	\$111.82
8403	0905	A5 or F5	8	8.85	9.25	\$162.84
8403	0905	A6 or F6	8	8.85	9.25	\$162.84
8403	0905	A7 or F7	8	8.85	9.25	\$162.84

Gasket Options:

- Add PG for EPDM PAD GASKET
- Add NG for NITRILE RING GASKET
- Add NPG for NITRILE PAD GASKET

Product Example:

- 8403-0480-A3 - (EPDM Ring Gasket)
- 8403-0480-A3NG - (NITRILE Ring Gasket)
- 8403-0480-A3PG - (EPDM Pad Gasket)
- 8403-0480-A3NPG - (NITRILE Pad Gasket)

Note: All 14" nominal size and larger are in 2 pieces, including 12" Nominal size with pipe OD range (14.00-14.47)

Outlet Options

Size:	AWWA	FIP	BSPT
3/4"	A3	F3	British thread available on request
1"	A4	F4	
1 1/4"	A5	F5	
1 1/2"	A6	F6	
2"	A7	F7	

Saddles & Repair Clamps

- All Saddles should be tested before bury
- Tighten to specified torque. Do not overtighten
- See installation instructions on page 20
- HDPE requires a Belleville washer kit add BW to end of part number add on \$22.07

Pricing in U.S. funds.

Saddles & Repair Clamps

8403 TECK™ Stainless Steel Saddles Double Bolt

Product certified to Standard NSF 61



4" nominal size	A3/A4/F3/F4	20 Gauge	6" Wide
4" nominal size	A5/A6/A7/F5/F6/F7	20 Gauge	8" Wide
6" to 8" nominal size	A3/A4/F3/F4	20 Gauge	6" Wide
6" to 8" nominal size	A5/A6/A7/F5/F6/F7	18 Gauge	8" Wide
All 10" nominal size and larger	A3/A4/F3/F4	18 Gauge	6" Wide
All 10" nominal size and larger	A5/A6/A7/F5/F6/F7	18 Gauge	8" Wide

Series	Part Number		Pipe OD Range			Price
	Size	Outlet AWWA or FIP	Nom.	Min.	Max.	
8403	1075	A3 or F3	10	10.55	10.95	\$136.28
8403	1075	A4 or F4	10	10.55	10.95	\$136.28
8403	1075	A5 or F5	10	10.55	10.95	\$172.90
8403	1075	A6 or F6	10	10.55	10.95	\$172.90
8403	1075	A7 or F7	10	10.55	10.95	\$172.90
8403	1110	A3 or F3	10	10.90	11.30	\$136.28
8403	1110	A4 or F4	10	10.90	11.30	\$136.28
8403	1110	A5 or F5	10	10.90	11.30	\$172.90
8403	1110	A6 or F6	10	10.90	11.30	\$172.90
8403	1110	A7 or F7	10	10.90	11.30	\$172.90
8403	1275	A3 or F3	12	12.55	12.95	\$139.38
8403	1275	A4 or F4	12	12.55	12.95	\$139.38
8403	1275	A5 or F5	12	12.55	12.95	\$181.98
8403	1275	A6 or F6	12	12.55	12.95	\$181.98
8403	1275	A7 or F7	12	12.55	12.95	\$181.98
8403	1320	A3 or F3	12	13.00	13.40	\$139.38
8403	1320	A4 or F4	12	13.00	13.40	\$139.38
8403	1320	A5 or F5	12	13.00	13.40	\$181.98
8403	1320	A6 or F6	12	13.00	13.40	\$181.98
8403	1320	A7 or F7	12	13.00	13.40	\$181.98
8403	1400	A3 or F3	14	13.60	14.40	\$247.83
8403	1400	A4 or F4	14	13.60	14.40	\$247.83
8403	1400	A5 or F5	14	13.60	14.40	\$258.23
8403	1400	A6 or F6	14	13.60	14.40	\$258.23
8403	1400	A7 or F7	14	13.60	14.40	\$258.23
8403	1530	A3 or F3	14	14.90	15.70	\$247.83
8403	1530	A4 or F4	14	14.90	15.70	\$247.83
8403	1530	A5 or F5	14	14.90	15.70	\$258.23
8403	1530	A6 or F6	14	14.90	15.70	\$258.23
8403	1530	A7 or F7	14	14.90	15.70	\$258.23
8403	1600	A3 or F3	16	15.60	16.40	\$260.76
8403	1600	A4 or F4	16	15.60	16.40	\$260.76
8403	1600	A5 or F5	16	15.60	16.40	\$269.34
8403	1600	A6 or F6	16	15.60	16.40	\$269.34
8403	1600	A7 or F7	16	15.60	16.40	\$269.34

Gasket Options:

Add PG for EPDM PAD GASKET
 Add NG for NITRILE RING GASKET
 Add NPG for NITRILE PAD GASKET

Product Example:

- 8403-0480-A3 - (EPDM Ring Gasket)
- 8403-0480-A3NG - (NITRILE Ring Gasket)
- 8403-0480-A3PG - (EPDM Pad Gasket)
- 8403-0480-A3NPG - (NITRILE Pad Gasket)

Note: All 14" nominal size and larger are in 2 pieces, including 12" Nominal size with pipe OD range (14.00-14.47)

Outlet Options

Size:	AWWA	FIP	BSPT
3/4"	A3	F3	British thread available on request
1"	A4	F4	
1 1/4"	A5	F5	
1 1/2"	A6	F6	
2"	A7	F7	

Pricing in U.S. funds.

8403 TECK™ Stainless Steel Saddles Double Bolt

Product certified to Standard NSF 61

4" nominal size	A3/A4/F3/F4	20 Gauge	6" Wide
4" nominal size	A5/A6/A7/F5/F6/F7	20 Gauge	8" Wide
6" to 8" nominal size	A3/A4/F3/F4	20 Gauge	6" Wide
6" to 8" nominal size	A5/A6/A7/F5/F6/F7	18 Gauge	8" Wide
All 10" nominal size and larger	A3/A4/F3/F4	18 Gauge	6" Wide
All 10" nominal size and larger	A5/A6/A7/F5/F6/F7	18 Gauge	8" Wide



Series	Part Number		Nom.	Min.	Pipe OD Range		Price
	Size	Outlet AWWA or FIP			Max.		
8403	1800	A3 or F3	18	17.60	18.40	\$267.03	
8403	1800	A4 or F4	18	17.60	18.40	\$267.03	
8403	1800	A5 or F5	18	17.60	18.40	\$279.90	
8403	1800	A6 or F6	18	17.60	18.40	\$279.90	
8403	1800	A7 or F7	18	17.60	18.40	\$279.90	
8403	1950	A3 or F3	18	19.10	19.90	\$267.03	
8403	1950	A4 or F4	18	19.10	19.90	\$267.03	
8403	1950	A5 or F5	18	19.10	19.90	\$279.90	
8403	1950	A6 or F6	18	19.10	19.90	\$279.90	
8403	1950	A7 or F7	18	19.10	19.90	\$279.90	
8403	2000	A3 or F3	20	19.60	20.40	\$294.71	
8403	2000	A4 or F4	20	19.60	20.40	\$294.71	
8403	2000	A5 or F5	20	19.60	20.40	\$302.41	
8403	2000	A6 or F6	20	19.60	20.40	\$302.41	
8403	2000	A7 or F7	20	19.60	20.40	\$302.41	
8403	2160	A3 or F3	20	21.20	22.00	\$294.71	
8403	2160	A4 or F4	20	21.20	22.00	\$294.71	
8403	2160	A5 or F5	20	21.20	22.00	\$302.41	
8403	2160	A6 or F6	20	21.20	22.00	\$302.41	
8403	2160	A7 or F7	20	21.20	22.00	\$302.41	
8403	2400	A3 or F3	24	23.60	24.40	\$306.02	
8403	2400	A4 or F4	24	23.60	24.40	\$306.02	
8403	2400	A5 or F5	24	23.60	24.40	\$331.28	
8403	2400	A6 or F6	24	23.60	24.40	\$331.28	
8403	2400	A7 or F7	24	23.60	24.40	\$331.28	
8403	2580	A3 or F3	24	25.40	26.20	\$306.02	
8403	2580	A4 or F4	24	25.40	26.20	\$306.02	
8403	2580	A5 or F5	24	25.40	26.20	\$331.28	
8403	2580	A6 or F6	24	25.40	26.20	\$331.28	
8403	2580	A7 or F7	24	25.40	26.20	\$331.28	

Gasket Options:

Add PG for EPDM PAD GASKET
 Add NG for NITRILE RING GASKET
 Add NPG for NITRILE PAD GASKET

Product Example:

- 8403-0480-A3 - (EPDM Ring Gasket)
- 8403-0480-A3NG - (NITRILE Ring Gasket)
- 8403-0480-A3PG - (EPDM Pad Gasket)
- 8403-0480-A3NPG - (NITRILE Pad Gasket)

Note: All 14" nominal size and larger are in 2 pieces, including 12" Nominal size with pipe OD range (14.00-14.47)

Outlet Options

Size:	AWWA	FIP	BSPT
3/4"	A3	F3	British thread available on request
1"	A4	F4	
1 1/4"	A5	F5	
1 1/2"	A6	F6	
2"	A7	F7	

Pricing in U.S. funds.

Saddles & Repair Clamps

TECK™ Repair Clamps

Stainless Steel TECK™ repair clamps feature a fully welded bar, chemically passivated welds, anti-gall nuts, NBR taper grid pattern gasket, optional AWWA, FNPT and BSPT outlets, and optional conductivity patch. Multiple lengths and sizes are available including standard, custom, and O.D. specific diameter ranges.

Materials

Band and Armor Plate - ASTM A240 type 304 (18-8) stainless steel
TECK™ Fingers/Lifter Plate - ASTM A240 Type 304 (18-8) stainless steel
Gasket - Nitrile (NBR) Gasket meets ASTM D2000 and NSF 61
Studs - ASTM F593 Type 304 (18-8) stainless steel
Nuts - ASTM F594 Type 304 (18-8) stainless steel PTFE coated to prevent galling
Washers - ASME B18.22.1 Type 304 (18-8) stainless steel

Notes

- Order clamps by model numbers for example 425-0705-12TLP
- All clamps have Pipe O.D. size identification
- All clamps meet AWWA standards and are certified to NSF 61
- Rated for 150 PSI working pressure
- Belleville Washer kits (for HDPE pipe) available
- 24 hour emergency service available
- Laser etched Label for part number, description, brief instruction and manufacturing date



Lifter Plate (LP)



TECK™ Finger

Pricing in U.S. funds.

- All Saddles should be tested before bury
- Tighten to specified torque. Do not overtighten
- See installation instructions on page 20

425 Series TECK™ Repair Clamps

Repair Clamps Single Section

- Different sizes and configurations available, please call for details.
- NBR gasket certified to Standard NSF 61.



Product Example: 425-0450-12TLP
4" x12" Finger Gasket

Nom. O.D.	O.D. Pipe	Pipe Material	O.D. Range	Part Number	Widths				
					8" Add -08	12" Add -12	16" Add -12	20" Add -20	24" Add -24
4	4.50	IPS	4.30 - 4.70	425-0450-	\$101.65	\$162.70	\$176.98	\$287.30	\$366.19
4			4.40 - 4.80	425-0460-	\$101.65	\$162.70	\$176.98	\$287.30	\$366.19
4	4.80	DI / C900 / cast A	4.60 - 5.00	425-0480-	\$101.65	\$162.70	\$176.98	\$287.30	\$366.19
4			4.75 - 5.15	425-0495-	\$101.65	\$162.70	\$176.98	\$287.30	\$366.19
4	5.00	Cast B, C, D	4.80 - 5.20	425-0500-	\$101.65	\$162.70	\$176.98	\$287.30	\$366.19
6			6.40 - 6.80	425-0660-	\$122.33	\$195.58	\$216.30	\$356.22	\$429.18
6	6.63	IPS	6.43 - 6.83	425-0663-	\$122.33	\$195.58	\$216.30	\$356.22	\$429.18
6	6.90	DI / C900 / cast A	6.70 - 7.10	425-0690-	\$122.33	\$195.58	\$216.30	\$356.22	\$429.18
6			6.80 - 7.20	425-0700-	\$122.33	\$195.58	\$216.30	\$356.22	\$429.18
6			6.85 - 7.25	425-0705-	\$122.33	\$195.58	\$216.30	\$356.22	\$429.18
6	7.10	Cast B, C, D	6.90 - 7.30	425-0710-	\$122.33	\$195.58	\$216.30	\$356.22	\$429.18
6			7.10 - 7.50	425-0730-	\$122.33	\$195.58	\$216.30	\$356.22	\$429.18
8			8.00 - 8.40	425-0820-	\$143.45	\$229.98	\$262.89	\$384.87	\$480.89
8			8.40 - 8.80	425-0860-	\$143.45	\$229.98	\$262.89	\$384.87	\$480.89
8	8.63	IPS	8.43 - 8.83	425-0863-	\$143.45	\$229.98	\$262.89	\$384.87	\$480.89
8	9.05	DI / C900 / cast A, B	8.85 - 9.25	425-0905-	\$143.45	\$229.98	\$262.89	\$384.87	\$480.89
8			8.98 - 9.38	425-0918-	\$143.45	\$229.98	\$262.89	\$384.87	\$480.89
8	9.30	Cast C, D	9.10 - 9.50	425-0930-	\$143.45	\$229.98	\$262.89	\$384.87	\$480.89
8			9.30 - 9.70	425-0950-	\$143.45	\$229.98	\$262.89	\$384.87	\$480.89
10			10.50 - 10.90	425-1070-	\$197.60	\$310.21	\$356.95	\$476.67	\$704.43
10	10.75	IPS	10.55 - 10.95	425-1075-	\$197.60	\$310.21	\$356.95	\$476.67	\$704.43
10	11.10	DI / C900 / cast A, B	10.90 - 11.30	425-1110-	\$197.60	\$310.21	\$356.95	\$476.67	\$704.43
10			11.05 - 11.45	425-1125-	\$197.60	\$310.21	\$356.95	\$476.67	\$704.43
10	11.40	Cast C, D	11.20 - 11.60	425-1140-	\$197.60	\$310.21	\$356.95	\$476.67	\$704.43
10			11.60 - 12.00	425-1180-	\$197.60	\$310.21	\$356.95	\$476.67	\$704.43
10			11.85 - 12.25	425-1205-	\$197.60	\$310.21	\$356.95	\$476.67	\$704.43
12	12.75	IPS	12.55 - 12.95	425-1275-	\$224.62	\$359.27	\$406.14	\$565.98	\$778.72
12	13.20	DI / C900 / cast A, B	13.00 - 13.40	425-1320	\$224.62	\$359.27	\$406.14	\$565.98	\$778.72
12			13.15 - 13.55	425-1335-	\$224.62	\$359.27	\$406.14	\$565.98	\$778.72
12	13.50	Cast C, D	13.30 - 13.70	425-1350-	\$224.62	\$359.27	\$406.14	\$565.98	\$778.72
12			13.40 - 13.80	425-1360-	\$224.62	\$359.27	\$406.14	\$565.98	\$778.72
12			13.80 - 14.20	425-1400-	\$224.62	\$359.27	\$406.14	\$565.98	\$778.72
12			14.10 - 14.50	425-1430-	\$224.62	\$359.27	\$406.14	\$565.98	\$778.72

Options:	Description	Adder Price
T	Taper gasket (finger gasket is standard)	N/C
C	Conductivity pad	\$5.00
LP	Lifter Plate Fastening System	\$4.00

- All Saddles should be tested before bury
- Tighten to specified torque. Do not overtighten
- See installation instructions on page 20

Pricing in U.S. funds.

Saddles & Repair Clamps

435 Series TECK™ Repair Clamps

Repair Clamps Single Section with Tapped Outlet

- Different sizes and configurations available, please call for details.
- NBR gasket certified to Standard NSF 61.



Product Example: 435-0450-12-A3
4" x 12" 3/4" CC

Nom. O.D.	O.D. Pipe	Pipe Material	O.D. Range	Part Number	Widths				
					8" Add -08	12" Add -12	16" Add -12	20" Add -20	24" Add -24
4	4.50	IPS	4.30 - 4.70	435-0450-	\$101.65	\$162.70	\$176.98	\$287.30	\$366.19
4			4.40 - 4.80	435-0460-	\$101.65	\$162.70	\$176.98	\$287.30	\$366.19
4	4.80	DI/C900/Cast A	4.60 - 5.00	435-0480-	\$101.65	\$162.70	\$176.98	\$287.30	\$366.19
4			4.75 - 5.15	435-0495-	\$101.65	\$162.70	\$176.98	\$287.30	\$366.19
4	5.00	Cast B, C, D	4.80 - 5.20	435-0500-	\$101.65	\$162.70	\$176.98	\$287.30	\$366.19
6			6.40 - 6.80	435-0660-	\$122.33	\$195.58	\$216.30	\$356.22	\$429.18
6	6.63	IPS	6.43 - 6.83	435-0663-	\$122.33	\$195.58	\$216.30	\$356.22	\$429.18
6	6.90	DI/C900/Cast A	6.70 - 7.10	435-0690-	\$122.33	\$195.58	\$216.30	\$356.22	\$429.18
6			6.80 - 7.20	435-0700-	\$122.33	\$195.58	\$216.30	\$356.22	\$429.18
6			6.85 - 7.25	435-0705-	\$122.33	\$195.58	\$216.30	\$356.22	\$429.18
6	7.10	Cast B, C, D	6.90 - 7.30	435-0710-	\$122.33	\$195.58	\$216.30	\$356.22	\$429.18
6			7.10 - 7.50	435-0730-	\$122.33	\$195.58	\$216.30	\$356.22	\$429.18
8			8.00 - 8.40	435-0820-	\$143.45	\$229.98	\$262.89	\$384.87	\$480.89
8			8.40 - 8.80	435-0860-	\$143.45	\$229.98	\$262.89	\$384.87	\$480.89
8	8.63	IPS	8.43 - 8.83	435-0863-	\$143.45	\$229.98	\$262.89	\$384.87	\$480.89
8	9.05	DI/C900/Cast A, B	8.85 - 9.25	435-0905-	\$143.45	\$229.98	\$262.89	\$384.87	\$480.89
8			8.98 - 9.38	435-0918-	\$143.45	\$229.98	\$262.89	\$384.87	\$480.89
8	9.30	Cast C, D	9.10 - 9.50	435-0930-	\$143.45	\$229.98	\$262.89	\$384.87	\$480.89
8			9.30 - 9.70	435-0950-	\$143.45	\$229.98	\$262.89	\$384.87	\$480.89
10			10.50 - 10.90	435-1070-	\$197.60	\$310.21	\$356.95	\$476.67	\$704.43
10	10.75	IPS	10.55 - 10.95	435-1075-	\$197.60	\$310.21	\$356.95	\$476.67	\$704.43
10	11.10	DI/C900/Cast A, B	10.90 - 11.30	435-1110-	\$197.60	\$310.21	\$356.95	\$476.67	\$704.43
10			11.05 - 11.45	435-1125-	\$197.60	\$310.21	\$356.95	\$476.67	\$704.43
10	11.40	Cast C, D	11.20 - 11.60	435-1140-	\$197.60	\$310.21	\$356.95	\$476.67	\$704.43
10			11.60 - 12.00	435-1180-	\$197.60	\$310.21	\$356.95	\$476.67	\$704.43
10			11.85 - 12.25	435-1205-	\$197.60	\$310.21	\$356.95	\$476.67	\$704.43
12	12.75	IPS	12.55 - 12.95	435-1275-	\$224.62	\$359.27	\$406.14	\$565.98	\$778.72
12	13.20	DI/C900/Cast A, B	13.00 - 13.40	435-1320	\$224.62	\$359.27	\$406.14	\$565.98	\$778.72
12			13.15 - 13.55	435-1335-	\$224.62	\$359.27	\$406.14	\$565.98	\$778.72
12	13.50	Cast C, D	13.30 - 13.70	435-1350-	\$224.62	\$359.27	\$406.14	\$565.98	\$778.72
12			13.40 - 13.80	435-1360-	\$224.62	\$359.27	\$406.14	\$565.98	\$778.72
12			13.80 - 14.20	435-1400-	\$224.62	\$359.27	\$406.14	\$565.98	\$778.72
12			14.10 - 14.50	435-1430-	\$224.62	\$359.27	\$406.14	\$565.98	\$778.72

Options:	Description	Adder Price	Outlet Suffix	Outlet Size	Adder Price FIP	Adder Price AWWA
T	Taper gasket (finger gasket is standard)	N/C	3	3/4"	\$56.58	\$56.58
C	Conductivity pad	\$5.00	4	1"	\$56.58	\$56.58
LP	Lifter Plate Fastening System	\$4.00	5	1 1/4"	\$73.04	\$73.04
			6	1 1/2"	\$73.04	\$73.04
			7	2"	\$81.09	\$90.60

Pricing in U.S. funds.

825 Series TECK™ Repair Clamps

Repair Clamps Two Sections

- Different sizes and configurations available, please call for details.
- NBR gasket certified to Standard NSF 61.



Product Example: 825-1400-24TLP
14" x 24" Finger Gasket with Lifter Plate Fasthing System

Nom. O.D.	Pipe O.D.	Pipe Material	O.D. Range	Part Number	Widths				
					12" Add -12	16" Add -16	20" Add -20	24" Add -24	32" Add -32
6	6.63	IPS	6.23 - 7.03	825-0663-	\$268.10	\$334.85	\$461.27	\$617.03	\$721.60
6	6.90	DI / C900 / cast A	6.50 - 7.30	825-0690-	\$268.10	\$334.85	\$461.27	\$617.03	\$721.60
6			6.60 - 7.40	825-0700-	\$268.10	\$334.85	\$461.27	\$617.03	\$721.60
6	7.10	Cast B, C, D	6.70 - 7.50	825-0710-	\$268.10	\$334.85	\$461.27	\$617.03	\$721.60
8	8.63	IPS	8.23 - 9.03	825-0863-	\$298.39	\$382.28	\$523.50	\$704.76	\$810.52
8			8.60 - 9.40	825-0900-	\$298.39	\$382.28	\$523.50	\$704.76	\$810.52
8	9.05	DI / C900 / cast A, B	8.65 - 9.45	825-0905-	\$298.39	\$382.28	\$523.50	\$704.76	\$810.52
8	9.30	Cast C, D	8.90 - 9.70	825-0930-	\$298.39	\$382.28	\$523.50	\$704.76	\$810.52
10	10.75	IPS	10.35 - 11.15	825-1075-	\$467.16	\$481.94	\$644.60	\$868.38	\$1,005.29
10	11.10	DI / C900 / cast A, B	10.70 - 11.50	825-1110-	\$467.16	\$481.94	\$644.60	\$868.38	\$1,005.29
10	11.40	Cast C, D	11.00 - 11.80	825-1140-	\$467.16	\$481.94	\$644.60	\$868.38	\$1,005.29
12	12.75	IPS	12.35 - 13.15	825-1275-	\$530.41	\$544.81	\$744.69	\$963.80	\$1,150.03
12			12.72 - 13.52	825-1312-	\$530.41	\$544.81	\$744.69	\$963.80	\$1,150.03
12	13.20	DI / C900 / cast A, B	12.80 - 13.60	825-1320-	\$530.41	\$544.81	\$744.69	\$963.80	\$1,150.03
12	13.50	Cast C, D	13.10 - 13.90	825-1350-	\$530.41	\$544.81	\$744.69	\$963.80	\$1,150.03
14	14.00	IPS	13.60 - 14.40	825-1400-	\$599.56	\$655.95	\$841.64	\$1,089.47	\$1,302.60
14	15.30	DI / C900 / cast A, B	14.90 - 15.70	825-1530-	\$599.56	\$655.95	\$841.64	\$1,089.47	\$1,302.60
14			15.00 - 15.80	825-1540-	\$599.56	\$655.95	\$841.64	\$1,089.47	\$1,302.60
14	15.65	Cast C, D	15.25 - 16.05	825-1565-	\$599.56	\$655.95	\$841.64	\$1,089.47	\$1,302.60
16	16.00	IPS	15.60 - 16.40	825-1600-	\$646.26	\$718.83	\$936.89	\$1,214.30	\$1,494.44
16	17.40	DI / C900 / cast A, B	17.00 - 17.80	825-1740-	\$646.26	\$718.83	\$936.89	\$1,214.30	\$1,494.44
16			17.20 - 18.00	825-1760-	\$646.26	\$718.83	\$936.89	\$1,214.30	\$1,494.44
16	17.80	Cast C, D	17.40 - 18.20	825-1780-	\$646.26	\$718.83	\$936.89	\$1,214.30	\$1,494.44
18	18.00	IPS	17.60 - 18.40	825-1800-	\$768.57	\$861.14	\$1,076.43	\$1,399.36	\$1,722.27
18	19.50	DI / C900 / cast A, B	19.10 - 19.90	825-1950-	\$768.57	\$861.14	\$1,076.43	\$1,399.36	\$1,722.27
18			19.20 - 20.00	825-1960-	\$768.57	\$861.14	\$1,076.43	\$1,399.36	\$1,722.27
18	19.92	Cast C, D	19.52 - 20.32	825-1992-	\$768.57	\$861.14	\$1,076.43	\$1,399.36	\$1,722.27
20	20.00	IPS	19.60 - 20.40	825-2000-	\$935.44	\$1,052.37	\$1,328.50	\$1,660.63	\$1,989.24
20	21.60	DI / C900 / cast A, B	21.20 - 22.00	825-2160-	\$935.44	\$1,052.37	\$1,328.50	\$1,660.63	\$1,989.24
20			21.40 - 22.20	825-2180-	\$935.44	\$1,052.37	\$1,328.50	\$1,660.63	\$1,989.24
20	22.06	Cast C, D	21.66 - 22.46	825-2206-	\$935.44	\$1,052.37	\$1,328.50	\$1,660.63	\$1,989.24

Options:	Description	Adder Price
T	Taper gasket (finger gasket is standard)	N/C
C	Conductivity pad	\$5.00
LP	Lifter Plate Fastening System	\$4.00

Pricing in U.S. funds.

Saddles & Repair Clamps

835 Series TECK™ Repair Clamps

Repair Clamps (Two Sections with Tapped Outlet)

- Different sizes and configurations available, please call for details.
- NBR gasket certified to Standard NSF 61.



Product Example: 835-0905-12-A7
8" x 12" x 2" CC

Nom. O.D.	Pipe O.D.	Pipe Material	O.D. Range	Part Number	Widths				
					12" Add -12	16" Add -12	20" Add -20	24" Add -24	32" Add -32
6	6.63	IPS	6.23 - 7.03	835-0663-	\$268.10	\$344.85	\$461.27	\$617.03	\$721.60
6			6.60 - 7.40	825-0700-	\$268.10	\$344.85	\$461.27	\$617.03	\$721.60
6	7.10	Cast B, C, D	6.70 - 7.50	835-0710-	\$268.10	\$344.85	\$461.27	\$617.03	\$721.60
8	8.63	IPS	8.23 - 9.03	835-0863-	\$298.39	382.28	\$523.50	\$704.76	\$810.52
8			8.60 - 9.40	835-0900-	\$298.39	382.28	\$523.50	\$704.76	\$810.52
8	9.30	Cast C, D	8.90 - 9.70	835-0930-	\$298.39	382.28	\$523.50	\$704.76	\$810.52
10	10.75	IPS	10.35 - 11.15	835-1075-	\$467.16	\$481.94	\$644.60	\$868.38	\$1,005.29
10	11.10	DI/C900/Cast A, B	10.70 - 11.50	835-1110-	\$467.16	\$481.94	\$644.60	\$868.38	\$1,005.29
10	11.40	Cast C, D	11.00 - 11.80	835-1140-	\$467.16	\$481.94	\$644.60	\$868.38	\$1,005.29
12	12.75	IPS	12.35 - 13.15	835-1275-	\$530.41	\$544.81	\$ 744.69	\$ 963.80	\$ 1,150.03
12			12.72 - 13.52	835-1312-	\$530.41	\$544.81	\$ 744.69	\$ 963.80	\$ 1,150.03
12	13.50	Cast C, D	13.10 - 13.90	835-1350-	\$530.41	\$544.81	\$ 744.69	\$ 963.80	\$ 1,150.03
14	14.00	IPS	13.60 - 14.40	835-1400-	\$599.56	\$655.95	\$ 841.64	\$ 1,089.47	\$ 1,302.60
14			15.00 - 15.80	835-1540-	\$599.56	\$655.95	\$ 841.64	\$ 1,089.47	\$ 1,302.60
14	15.65	Cast C, D	15.25 - 16.05	835-1565-	\$599.56	\$655.95	\$ 841.64	\$ 1,089.47	\$ 1,302.60
16	16.00	IPS	15.60 - 16.40	835-1600-	\$646.26	\$718.83	\$ 936.89	\$ 1,214.30	\$ 1,494.44
16	17.40	DI/C900/Cast A, B	17.00 - 17.80	835-1740-	\$646.26	\$718.83	\$ 936.89	\$ 1,214.30	\$ 1,494.44
16			17.20 - 18.00	835-1760-	\$646.26	\$718.83	\$ 936.89	\$ 1,214.30	\$ 1,494.44
16	17.80	Cast C, D	17.40 - 18.20	835-1780-	\$646.26	\$718.83	\$ 936.89	\$ 1,214.30	\$ 1,494.44
18	18.00	IPS	17.60 - 18.40	835-1800-	\$768.57	\$861.14	\$ 1,076.43	\$ 1,399.36	\$ 1,722.27
18	19.50	DI/C900/Cast A, B	19.10 - 19.90	835-1950-	\$768.57	\$861.14	\$ 1,076.43	\$ 1,399.36	\$ 1,722.27
18			19.20 - 20.00	835-1960-	\$768.57	\$861.14	\$ 1,076.43	\$ 1,399.36	\$ 1,722.27
18	19.92	Cast C, D	19.52 - 20.32	835-1992-	\$768.57	\$861.14	\$ 1,076.43	\$ 1,399.36	\$ 1,722.27
20	20.00	IPS	19.60 - 20.40	835-2000-	\$935.44	\$1,052.37	\$ 1,328.50	\$ 1,660.63	\$ 1,989.24
20	21.60	DI/C900/Cast A, B	21.20 - 22.00	835-2160-	\$935.44	\$1,052.37	\$ 1,328.50	\$ 1,660.63	\$ 1,989.24
20			21.40 - 22.20	835-2180-	\$935.44	\$1,052.37	\$ 1,328.50	\$ 1,660.63	\$ 1,989.24
20	22.06	Cast C, D	21.66 - 22.46	835-2206-	\$935.44	\$1,052.37	\$ 1,328.50	\$ 1,660.63	\$ 1,989.24

Options:	Description	Adder Price	Outlet Suffix	Outlet Size	Adder Price FIP	Adder Price AWWA
T	Taper gasket (finger gasket is standard)	N/C				
C	Conductivity pad	\$5.00	3	3/4"	\$56.58	\$56.58
LP	Lifter Plate Fastening System	\$4.00	4	1"	\$56.58	\$56.58
			5	1 1/4"	\$73.04	\$73.04
			6	1 1/2"	\$73.04	\$73.04
			7	2"	\$81.09	\$90.60

Pricing in U.S. funds.

1625 Series TECK™ Repair Clamps

Repair Clamps Four Sections

- Different sizes and configurations available, please call for details.
- NBR gasket certified to Standard NSF 61.



Product Example: 1625-2400-24TPL
24" x 24" Taper Gasket with Lifter Plate Fastening System

Nom. O.D.	Pipe O.D.	Pipe Material	O.D. Range	Part Number	Widths				
					12" Add -12	16" Add -12	20" Add -20	24" Add -24	32" Add -32
24	24.00	IPS	23.20 - 24.80	1625-2400-	\$1,071.27	\$1,538.89	\$2,084.31	\$2,667.85	\$3,516.56
24			24.60 - 26.20	1625-2540-	\$1,071.27	\$1,538.89	\$2,084.31	\$2,667.85	\$3,516.56
24	25.80	DI / C900 / cast A, B	25.00 - 26.60	1625-2580-	\$1,071.27	\$1,538.89	\$2,084.31	\$2,667.85	\$3,516.56
24	26.32	Cast C, D	25.52 - 27.12	1625-2632-	\$1,071.27	\$1,538.89	\$2,084.31	\$2,667.85	\$3,516.56
30	30.00	IPS	29.20 - 30.80	1625-3000-	\$1,406.22	\$1,709.80	\$2,358.52	\$3,044.68	\$3,844.42
30	31.74	Cast A	30.94 - 32.54	1625-3174-	\$1,406.22	\$1,709.80	\$2,358.52	\$3,044.68	\$3,844.42
30	32.00	DI / C900 / Cast B	31.20 - 32.80	1625-3200-	\$1,406.22	\$1,709.80	\$2,358.52	\$3,044.68	\$3,844.42
30	32.40	Cast C	31.60 - 33.20	1625-3240-	\$1,406.22	\$1,709.80	\$2,358.52	\$3,044.68	\$3,844.42
36	37.96	Cast A	37.16 - 38.76	1625-3796-	\$1,828.09	\$2,346.73	\$3,124.77	\$3,931.61	\$5,024.12
36	38.30	DI / C900 / cast B	37.50 - 39.10	1625-3830-	\$1,828.09	\$2,346.73	\$3,124.77	\$3,931.61	\$5,024.12
36	38.70	Cast C	37.90 - 39.50	1625-3870-	\$1,828.09	\$2,346.73	\$3,124.77	\$3,931.61	\$5,024.12
36	39.16	Cast D	38.36 - 39.96	1625-3916-	\$1,828.09	\$2,346.73	\$3,124.77	\$3,931.61	\$5,024.12

Options:	Description	Adder Price
T	Taper gasket (finger gasket is standard)	N/C
C	Conductivity pad	\$5.00
LP	Lifter Plate Fastening System	\$4.00

Saddles & Repair Clamps

Pricing in U.S. funds.

Saddles & Repair Clamps

1635 Series TECK™ Repair Clamps

Repair Clamps Four Sections with Outlet

- Different sizes and configurations available, please call for details.
- NBR gasket certified to Standard NSF 61.



Product Example: 1635-2400-12-A6
24" x 12" x 1 1/2" CC Finger Gasket

Nom. O.D.	Pipe O.D.	Pipe Material	O.D. Range	Part Number	Widths				
					12" Add -12	16" Add -12	20" Add -20	24" Add -24	32" Add -32
24	24.00	IPS	23.20 - 24.80	1635-2400-	\$1,071.27	\$1,538.89	\$2,084.31	\$2,667.85	\$3,516.56
24			24.60 - 26.20	1635-2540-	\$1,071.27	\$1,538.89	\$2,084.31	\$2,667.85	\$3,516.56
24	25.80	DI / C900 / cast A, B	25.00 - 26.60	1635-2580-	\$1,071.27	\$1,538.89	\$2,084.31	\$2,667.85	\$3,516.56
24	26.32	Cast C, D	25.52 - 27.12	1635-2632-	\$1,071.27	\$1,538.89	\$2,084.31	\$2,667.85	\$3,516.56
30	30.00	IPS	29.20 - 30.80	1635-3000-	\$1,406.22	\$1,709.80	\$2,358.52	\$3,044.68	\$3,844.42
30	31.74	Cast A	30.94 - 32.54	1635-3174-	\$1,406.22	\$1,709.80	\$2,358.52	\$3,044.68	\$3,844.42
30	32.00	DI / C900 / cast B	31.20 - 32.80	1635-3200-	\$1,406.22	\$1,709.80	\$2,358.52	\$3,044.68	\$3,844.42
30	32.40	Cast C	31.60 - 33.20	1635-3240-	\$1,406.22	\$1,709.80	\$2,358.52	\$3,044.68	\$3,844.42
36	37.96	Cast A	37.16 - 38.76	1635-3796-	\$1,828.09	\$2,346.73	\$3,124.77	\$3,931.61	\$5,024.12
36	38.30	DI / C900 / cast B	37.50 - 39.10	1635-3830-	\$1,828.09	\$2,346.73	\$3,124.77	\$3,931.61	\$5,024.12
36	38.70	Cast C	37.90 - 39.50	1635-3870-	\$1,828.09	\$2,346.73	\$3,124.77	\$3,931.61	\$5,024.12
36	39.16	Cast D	38.36 - 39.96	1635-3916-	\$1,828.09	\$2,346.73	\$3,124.77	\$3,931.61	\$5,024.12

Options:	Description	Adder Price	Outlet Suffix	Outlet Size	Adder Price FIP	Adder Price AWWA
T	Taper gasket (finger gasket is standard)	N/C	3	3/4"	\$56.58	\$56.58
C	Conductivity pad	\$5.00	4	1"	\$56.58	\$56.58
LP	Lifter Plate Fastening System	\$4.00	5	1 1/4"	\$73.04	\$73.04
			6	1 1/2"	\$73.04	\$73.04
			7	2"	\$81.09	\$90.60

Pricing in U.S. funds.

Dimension Tables

PIPE SIZE	PVC	PVC	CAST IRON			ASBESTOS-CEMENT			STEEL	
	STEEL SIZE	C900	CLASSES		O.D.	CLASS	MACHINED	ROUGH-BARREL	TYPE	O.D.
	O.D.	O.D.	PIT	SPUN			END O.D.	O.D. (MIN-MAX)		
1/2"	.84								STD	.84
3/4"	1.05								STD	1.05
1"	1.32								STD	1.32
1 1/4"	1.66								STD	1.66
1 1/2"	1.90								STD	1.90
2"	2.38	2.50			2.50				STD	2.38
2 1/2"	2.88								STD	2.88
3"	3.50		A B,C,D	50 - 350	3.80	100	3.74	4.00	O.D.	3.00
					3.96	150	3.84	4.10	STD	3.50
						200	3.84	4.29		
3 1/2"								STD	4.00	
4"	4.50	4.80	A B,C,D	50 - 350	4.80	100	4.64	4.79 - 5.14	O.D.	4.00
					5.00	150	4.81	4.97 - 5.27	STD	4.50
						200	4.81	5.22 - 5.57		
4 1/2"								STD	5.00	
5"								STD	5.56	
6"	6.63	6.90	A B,C,D E,F	50 - 350	6.90	100	6.91	7.05 - 7.40	O.D.	6.00
					7.10	150	6.91	7.07 - 7.37	STD	6.63
					7.22	200	6.91	7.26 - 7.56		
7"								STD	7.63	
8"	8.63	9.05	A,B C,D E,F	50 - 300 350	9.05	100	9.11	9.22 - 9.57	O.D.	8.00
					9.30	150	9.11	9.27 - 9.57	STD	8.63
					9.42	200	9.11	9.39 - 9.74		
9"								STD	9.63	
10"	10.75	11.10	A,B C,D E,F	50 - 200 250 - 350	11.10	100	11.24	11.42 - 11.77	O.D.	10.00
					11.40	150	11.66	11.82 - 12.12	STD	10.75
					11.60	200	11.66	11.77 - 12.12		
12"	12.75	13.20	A,B C,D E,F	50 - 200 250 - 350	13.20	100	13.44	13.69 - 14.04	O.D.	12.00
					13.50	150	13.92	14.08 - 14.38	STD	12.75
					13.76	200	13.92	14.03 - 14.38		
14"	14.00	15.30	A,B C,D E,F	50 - 100 150 - 300	15.30	100	15.07	15.40 - 15.80	O.D.	14.00
					15.65	150	16.22	16.38 - 16.73		
					15.98	200	16.22	16.48 - 16.88		
16"	16.00	17.40	A,B C,D E,F	50 - 100 150 - 300	17.40	100	17.14	17.54 - 17.94	O.D.	16.00
					17.80	150	18.46	18.62 - 18.97		
					18.16	200	18.46	18.79 - 19.19		
18"	18.00	19.50	A,B C,D	50 - 100 150 - 250	19.50	100	19.90	20.44	STD	18.00
					19.92	150	20.94	21.20		
20"	20.00	21.60	A,B C,D	50 - 100 150 - 200	21.60	100	22.12	22.50	STD	20.00
					22.06	150	23.28	23.54		
22"								STD	22.00	
24"	24.00	25.80	A,B C,D	50 - 100 150 - 250	25.80	100	26.48	27.17	STD	24.00
					26.32	150	27.96	28.22		
30"	30.00	32.00	A,B C,D	50 - 100 150 - 250	32.00 32.74			STD	30.00	

Saddles & Repair Clamps

Pricing in U.S. funds.



Cambridge Brass Meter Setters are pre-plumbed assemblies designed for quick and easy installation of a water meter. Whether a new or existing installation, inside or outside the dwelling, these high quality units are made to order, & are available in a multitude of configurations, with various options to suit your needs. All units are tested as an assembly at the Factory, and reduce the amount of on-site assembly.

Pricing in U.S. funds..

Meter Setters

Meter Setter Part Numbering

6020NL - 2 07 H 3 H 3 - V Q B

Series Number	Meter Size	Setter Height	Inlet Connection	Inlet Size	Outlet Connection	Outlet Size	Inlet Option	Outlet Option	By-Pass
	5/8" = 1 5/8" x 3/4" = 2 3/4" = 3 1" = 4 1 1/2" = 6 2" = 7	7" = 07 9" = 09 10" = 10 12" = 12 15" = 15 18" = 18 Note: Standard starting height on 1" setters is 10" Standard starting height on 1 1/2" and 2" is 12"		3/4" = 3 1" = 4 1 1/2" = 6 2" = 7		3/4" = 3 1" = 4 1 1/2" = 6 2" = 7	Angle Plug = AP R/Port = V Full Port = U No Valve = O	Angle Plug = AP R/Port = V Full Port = U Single Check = X Dual Check = Q No Valve = O No Test Port on Check = QN or XN	Optional on 1 1/2" and 2" Setters & above B = 1" Low By-Pass HB - 1" High By-Pass
B = Campak C = Copper Flare D = Dual Purpose F = Female Iron Pipe GJ = Grip Joint H = CB Compression J = Haystite K = Kitec M = Male Iron Pipe PE = Connection for PEP (SIDR 7) Size Pipe PJ = Connection for PVC (IPS) Size Pipe MF = Meter Flange (6010 Series 1 1/2" & 2" only) N = Meter Thread (on Series 6010, 6011, 6012 & 6013)									

- 6010NL-Resetter
- 6011NL-Low Rise Resetter
- 6012NL-Low Rise Resetter (60 Degree)
- 6013NL-Low Rise Resetter (45 Degree)
- 6020NL-Meter Setter (Horizontal Inlet & Outlet)
- 6022NL-Meter Setter (Vertical Inlet & Horizontal Outlet)
- 6029NL-Single Yoke Setter
- 6030NL-Straight Line Setter (Horizontal Inlet & Outlet)
- 6031NL-Straight Line Setter (Horizontal Inlet & Outlet with 15" Leg Extension)
- 6032NL-Straight Line Setter (Horizontal Inlet & Outlet with 18" Leg Extension)
- 6034NL-Straight Line Setter (Vertical Inlet & Outlet)
- 6035NL-Straight Line Setter (Horizontal Inlet & Vertical Outlet)
- 6040NL-Meter Setter (Vertical Inlet & Outlet)
- 6050NL-Brass Pit Setter (Horizontal Inlet & Outlet) inside pit diameter 18"
- 6051NL-Brass Pit Setter (Horizontal Inlet & Outlet) inside pit diameter 21 1/4"
- 6052NL-Brass Pit Setter (Horizontal Inlet & Outlet) inside pit diameter 16 1/2"
- 6060NL-Line Setters (Horizontal Inlet & Outlet)
- 6065NL-Line Setters (Angle Inlet & Horizontal Outlet)
- 6060NL-Line Setters (Horizontal Inlet & Outlet)
- 6065NL-Line Setters (Angle Inlet & Horizontal Outlet)

Meter Resetters

For 5/8", 5/8" x 3/4", or 1" Meters

Meter Resetters allow you to reset a meter incorporating an inlet or outlet shut off or check valve while offering several height options. See Options list below for details. For additional information or support contact customer service. Meter setters are made to order and not returnable.



Series 6010NL 5/8" Size Meter

Part Number	Wt. Each (lbs)	Box Qty	List Price
6010NL-107N1N1-VO	3.5	12	\$151.64
6010NL-109N1N1-VO	3.5	6	\$153.52
6010NL-112N1N1-VO	5.0	6	\$158.74
6010NL-115N1N1-VO	5.0	6	\$165.27
6010NL-118N1N1-VO	5.5	6	\$187.34
6010NL-121N1N1-VO	6.0	6	\$193.54
6010NL-124N1N1-VO	6.3	6	\$200.30

Series 6010NL 5/8" x 3/4" Size Meter

Part Number	Wt. Each (lbs)	Box Qty	List Price
6010NL-207N2N2-VO	4.8	12	\$157.60
6010NL-209N2N2-VO	4.5	6	\$159.43
6010NL-212N2N2-VO	5.5	6	\$164.64
6010NL-215N2N2-VO	5.9	6	\$171.10
6010NL-218N2N2-VO	7.3	6	\$193.48
6010NL-221N2N2-VO	7.5	6	\$199.68
6010NL-224N2N2-VO	7.8	6	\$206.40

Series 6010NL 1" Size Meter

Part Number	Wt. Each (lbs)	Box Qty	List Price
6010NL-410N4N4-VO	8.5	6	\$326.16
6010NL-412N4N4-VO	9.7	6	\$332.79
6010NL-415N4N4-VO	10.1	6	\$340.81
6010NL-418N4N4-VO	11.0	1	\$388.35
6010NL-421N4N4-VO	11.4	1	\$405.65
6010NL-424N4N4-VO	11.6	1	\$418.27

Options (Add or Subtract from List Price)

Options	Meter Size		
	5/8"	5/8" x 3/4"	1"
Ball Valves Reduced Port (Use "V" in model number)	\$61.80	\$61.80	\$124.02
Full Port (Use "U" in model number)	\$112.86	\$112.86	\$170.02
Single Check Valves (Use "X" in model number)	\$56.11	\$56.11	\$67.45
Dual Check Valves (Use "Q" in model number)	\$112.97	\$112.97	\$107.14
Angle Plug Valve (Use "AP" in model number)	\$50.86	\$50.86	\$77.98
Setter Height for every 3" above listed heights add to List Price	\$6.91	\$6.91	\$11.07

Note: All meter setters come standard with reduced port ball valve x meter nut

Pricing in U.S. funds..

Meter Setters

Meter Resetters - No Bypass

For 1 1/2" or 2" Meters

Meter Resetters allow you to reset a meter incorporating an inlet or outlet shut off or check valve while offering several height options. For additional information or support contact customer service. Meter setters are made to order and not returnable.

Meter Size	Height	Inlet Valve	Outlet Valve	Part Number	List Price
1 1/2"	12"	None	None	6010NL-612MF6MF6-OO	\$1,494.48
1 1/2"	15"	None	None	6010NL-615MF6MF6-OO	\$1,494.48
1 1/2"	18"	None	None	6010NL-618MF6MF6-OO	\$1,533.85
1 1/2"	21"	None	None	6010NL-621MF6MF6-OO	\$1,576.18
1 1/2"	24"	None	None	6010NL-624MF6MF6-OO	\$1,585.88
2"	12"	None	None	6010NL-712MF7MF7-OO	\$1,672.10
2"	15"	None	None	6010NL-715MF7MF7-OO	\$1,672.10
2"	18"	None	None	6010NL-718MF7MF7-OO	\$1,672.10
2"	21"	None	None	6010NL-721MF7MF7-OO	\$1,725.02
2"	24"	None	None	6010NL-724MF7MF7-OO	\$1,780.36
1 1/2"	12"	Ball	None	6010NL-612MF6MF6-UO	\$1,716.49
1 1/2"	15"	Ball	None	6010NL-615MF6MF6-UO	\$1,717.58
1 1/2"	18"	Ball	None	6010NL-618MF6MF6-UO	\$1,755.88
1 1/2"	21"	Ball	None	6010NL-621MF6MF6-UO	\$1,789.97
1 1/2"	24"	Ball	None	6010NL-624MF6MF6-UO	\$1,824.07
2"	12"	Ball	None	6010NL-712MF7MF7-UO	\$1,898.30
2"	15"	Ball	None	6010NL-715MF7MF7-UO	\$1,898.30
2"	18"	Ball	None	6010NL-718MF7MF7-UO	\$1,951.24
2"	21"	Ball	None	6010NL-721MF7MF7-UO	\$1,952.47
2"	24"	Ball	None	6010NL-724MF7MF7-UO	\$2,006.60

Pricing in U.S. funds..

Meter Resetters - No Bypass

For 1 1/2" or 2" Meters

Meter Resetters allow you to reset a meter incorporating an inlet or outlet shut off or check valve while offering several height options. For additional information or support contact customer service. Meter setters are made to order and not returnable.

Meter Size	Height	Inlet Valve	Outlet Valve	Part Number	List Price
1 1/2"	12"	Ball	Ball	6010NL-612MF6MF6-UU	\$1,938.50
1 1/2"	15"	Ball	Ball	6010NL-615MF6MF6-UU	\$1,938.50
1 1/2"	18"	Ball	Ball	6010NL-618MF6MF6-UU	\$1,977.88
1 1/2"	21"	Ball	Ball	6010NL-621MF6MF6-UU	\$2,011.67
1 1/2"	24"	Ball	Ball	6010NL-624MF6MF6-UU	\$2,071.32
2"	12"	Ball	Ball	6010NL-712MF7MF7-UU	\$2,124.52
2"	15"	Ball	Ball	6010NL-715MF7MF7-UU	\$2,124.52
2"	18"	Ball	Ball	6010NL-718MF7MF7-UU	\$2,178.71
2"	21"	Ball	Ball	6010NL-721MF7MF7-UU	\$2,232.82
2"	24"	Ball	Ball	6010NL-724MF7MF7-UU	\$2,285.76
1 1/2"	12"	Ball	Dual Check	6010NL-612MF6MF6-UQ	\$2,019.74
1 1/2"	15"	Ball	Dual Check	6010NL-615MF6MF6-UQ	\$2,019.74
1 1/2"	18"	Ball	Dual Check	6010NL-618MF6MF6-UQ	\$2,019.74
1 1/2"	21"	Ball	Dual Check	6010NL-621MF6MF6-UQ	\$2,062.76
1 1/2"	24"	Ball	Dual Check	6010NL-624MF6MF6-UQ	\$2,105.78
2"	12"	Ball	Dual Check	6010NL-712MF7MF7-UQ	\$2,133.37
2"	15"	Ball	Dual Check	6010NL-715MF7MF7-UQ	\$2,133.37
2"	18"	Ball	Dual Check	6010NL-718MF7MF7-UQ	\$2,133.37
2"	21"	Ball	Dual Check	6010NL-721MF7MF7-UQ	\$2,188.10
2"	24"	Ball	Dual Check	6010NL-724MF7MF7-UQ	\$2,241.04

Options (Add or Subtract from List Price)

Options	Meter Size	
	1 1/2"	2"
Additional Full Port Ball Valve (Use "U" in model number)	\$277.50	\$282.79
Dual Check Valve (Use "Q" in model number)	\$408.31	\$449.15
Each addition 3" above 18"	\$53.78	\$66.17
By-Pass	\$116.53	\$116.53
High-Pass	\$543.41	\$575.12

Pricing in U.S. funds..

Meter Resetters - With Bypass

Meter resetters allow you to reset a meter incorporating an inlet or outlet shut off or check valve while offering several height options. It also offers several options for taps to incorporate pressure relief valves or sampling valves before or after the meter. Depending on valve configurations, minimum heights may vary. Most meter setters are made to order and not returnable.

Meter Size	Height	Inlet Valve	Outlet Valve	Part Number	List Price
1 1/2"	12"	Ball	Ball	6010NL-612MF6MF6-UUB	\$2,054.98
1 1/2"	15"	Ball	Ball	6010NL-615MF6MF6-UUB	\$2,054.98
1 1/2"	18"	Ball	Ball	6010NL-618MF6MF6-UUB	\$2,094.41
1 1/2"	21"	Ball	Ball	6010NL-621MF6MF6-UUB	\$2,141.09
1 1/2"	24"	Ball	Ball	6010NL-624MF6MF6-UUB	\$2,187.80
2"	12"	Ball	Ball	6010NL-712MF7MF7-UUB	\$2,239.88
2"	15"	Ball	Ball	6010NL-715MF7MF7-UUB	\$2,239.88
2"	18"	Ball	Ball	6010NL-718MF7MF7-UUB	\$2,292.83
2"	21"	Ball	Ball	6010NL-721MF7MF7-UUB	\$2,294.60
2"	24"	Ball	Ball	6010NL-724MF7MF7-UUB	\$2,349.33
1 1/2"	12"	Ball	Dual Check	6010NL-612MF6MF6-UQB	\$2,159.62
1 1/2"	15"	Ball	Dual Check	6010NL-615MF6MF6-UQB	\$2,159.62
1 1/2"	18"	Ball	Dual Check	6010NL-618MF6MF6-UQB	\$2,199.08
1 1/2"	21"	Ball	Dual Check	6010NL-621MF6MF6-UQB	\$2,245.79
1 1/2"	24"	Ball	Dual Check	6010NL-624MF6MF6-UQB	\$2,288.81
2"	12"	Ball	Dual Check	6010NL-712MF7MF7-UQB	\$2,249.87
2"	15"	Ball	Dual Check	6010NL-715MF7MF7-UQB	\$2,249.87
2"	18"	Ball	Dual Check	6010NL-718MF7MF7-UQB	\$2,249.87
2"	21"	Ball	Dual Check	6010NL-721MF7MF7-UQB	\$2,306.36
2"	24"	Ball	Dual Check	6010NL-724MF7MF7-UQB	\$2,359.31

Pricing in U.S. funds..

Meter Resetters - With Bypass

Meter resetters allow you to reset a meter incorporating an inlet or outlet shut off or check valve while offering several height options. It also offers several options for taps to incorporate pressure relief valves or sampling valves before or after the meter. Depending on valve configurations, minimum heights may vary. Most meter setters are made to order and not returnable.

Meter Size	Height	Inlet Valve	Outlet Valve	Part Number	List Price
1 1/2"	12"	Ball	Ball	6010NL-612MF6MF6-UUHB	\$2,595.57
1 1/2"	15"	Ball	Ball	6010NL-615MF6MF6-UUHB	\$2,595.57
1 1/2"	18"	Ball	Ball	6010NL-618MF6MF6-UUHB	\$2,638.60
1 1/2"	21"	Ball	Ball	6010NL-621MF6MF6-UUHB	\$2,672.70
1 1/2"	24"	Ball	Ball	6010NL-624MF6MF6-UUHB	\$2,734.24
2"	12"	Ball	Ball	6010NL-712MF7MF7-UUHB	\$2,762.07
2"	15"	Ball	Ball	6010NL-715MF7MF7-UUHB	\$2,762.07
2"	18"	Ball	Ball	6010NL-718MF7MF7-UUHB	\$2,815.01
2"	21"	Ball	Ball	6010NL-721MF7MF7-UUHB	\$2,869.74
2"	24"	Ball	Ball	6010NL-724MF7MF7-UUHB	\$2,924.46
1 1/2"	12"	Ball	Dual Check	6010NL-612MF6MF6-UQHB	\$2,690.31
1 1/2"	15"	Ball	Dual Check	6010NL-615MF6MF6-UQHB	\$2,690.31
1 1/2"	18"	Ball	Dual Check	6010NL-618MF6MF6-UQHB	\$2,743.25
1 1/2"	21"	Ball	Dual Check	6010NL-621MF6MF6-UQHB	\$2,777.35
1 1/2"	24"	Ball	Dual Check	6010NL-624MF6MF6-UQHB	\$2,836.71
2"	12"	Ball	Dual Check	6010NL-712MF7MF7-UQHB	\$2,773.83
2"	15"	Ball	Dual Check	6010NL-715MF7MF7-UQHB	\$2,773.83
2"	18"	Ball	Dual Check	6010NL-718MF7MF7-UQHB	\$2,826.77
2"	21"	Ball	Dual Check	6010NL-721MF7MF7-UQHB	\$2,881.50
2"	24"	Ball	Dual Check	6010NL-724MF7MF7-UQHB	\$2,936.23

Options (Add or Subtract from List Price)

Options	Meter Size	
	1 1/2"	2"
Additional Full Port Ball Valve (Use "U" in model number)	\$277.50	\$282.79
Dual Check Valve (Use "Q" in model number)	\$408.31	\$449.15
Each addition 3" above 18"	\$53.78	\$66.17
By-Pass	\$116.53	\$116.53
High-Pass	\$543.41	\$575.12

Pricing in U.S. funds..

Low Rise Meter Resetters

For additional information or support contact customer service. Meter setters are made to order and not returnable.

Note: All meter setters come standard with reduced port ball valve x meter nut.



Series 6011NL 5/8" Size Meter

Part Number	Wt. Each (lbs)	Box Qty	List Price
6011NL-1N1N1-VO	4.2	6	\$170.11

Series 6011NL 5/8" x 3/4" Size Meter

Part Number	Wt. Each (lbs)	Box Qty	List Price
6011NL-2N2N2-VO	7.8	6	\$170.11

Series 6011NL 1" Size Meter

Part Number	Wt. Each (lbs)	Box Qty	List Price
6011NL-4N4N4-VO	8.0	5	\$417.72

Options (Add or Subtract from List Price)

Options	Meter Size		
	5/8"	5/8" x 3/4"	1"
Ball Valves Reduced Port (Use "V" in model number)	\$61.80	\$61.80	\$124.02
Full Port (Use "U" in model number)	\$112.86	\$112.86	\$170.02
Single Check Valves (Use "X" in model number)	\$56.11	\$56.11	\$67.45
Dual Check Valves (Use "Q" in model number)	\$112.97	\$112.97	\$107.14
Angle Plug Valve (Use "AP" in model number)	\$50.86	\$50.86	\$77.97
Setter Height for every 3" above listed heights add to List Price	\$6.91	\$6.91	\$11.07

Pricing in U.S. funds..

Straight Line Copper Setters

For 5/8", 5/8" x 3/4", 3/4" or 1" Meters

Horizontal Inlet and Outlet Meter Resetter

See page 144 for options. For additional information or support contact customer service. Meter setters are made to order and not returnable.

Note: For Vertical Inlet & Outlet Change Series Number To 6035NL (Use Same Price As 6030NL Series)



Series 6030NL 5/8" Size Meter

Part Number	List Price
6030NL-112M3M3-VO	\$191.43
6030NL-115M3M3-VO	\$195.94
6030NL-118M3M3-VO	\$218.40
6030NL-121M3M3-VO	\$226.69
6030NL-124M3M3-VO	\$233.43

Series 6030NL 5/8" x 3/4" Size Meter

Part Number	List Price
6030NL-212M3M3-VO	\$195.64
6030NL-215M3M3-VO	\$200.15
6030NL-218M3M3-VO	\$222.55
6030NL-221M3M3-VO	\$230.81
6030NL-224M3M3-VO	\$237.52

Series 6030NL 3/4" Size Meter

Part Number	List Price
6030NL-312M3M3-VO	\$224.98
6030NL-315M3M3-VO	\$234.80
6030NL-318M3M3-VO	\$254.13
6030NL-321M3M3-VO	\$263.16
6030NL-324M3M3-VO	\$272.38

Series 6030NL 1" Size Meter

Part Number	List Price
6030NL-415M4M4-VO	\$336.72
6030NL-418M4M4-VO	\$370.83
6030NL-421M4M4-VO	\$387.18
6030NL-424M4M4-VO	\$397.07

Pricing in U.S. funds..

Meter Setters

Straight Line Copper Setters

Options for 6030NL Series Setters

Options (Add or subtract from price)	Meter Size 5/8"	Meter Size 5/8" x 3/4"	Meter Size 1"
Ball Valves Reduced Port (Use "V" in model number)	\$61.80	\$61.80	\$124.02
Full Port (Use "U" in model number)	\$112.85	\$112.85	\$170.02
Single Check Valves (Use "X" in model number)	\$56.11	\$56.11	\$67.45
Dual Check Valves (Use "Q" in model number)	\$112.97	\$112.97	\$107.14
Angle Plug Valve (Use "AP" in model number)	\$50.86	\$50.86	\$77.98
Setter Height for every 3" above listed heights add to List Price	\$6.91	\$6.91	\$11.07

Extension Leg Options - Price is per extension	Meter Size 5/8"	Meter Size 5/8" x 3/4"	Meter Size 3/4"	Meter Size 1"
Series 6031 15"	\$19.59	\$19.59	\$25.53	\$31.45
Series 6032 18"	\$23.66	\$23.66	\$30.78	\$37.18
Series 6034 24"	\$30.09	\$30.09	\$39.09	\$46.13

Inlet Connections Options - Price is per end connection	Meter Size 5/8"	Meter Size 5/8" x 3/4"	Meter Size 3/4"	Meter Size 1"
CTS Compression, H,B,J or GJ	\$7.76	\$7.76	\$7.76	\$10.94
Copper Flare	\$3.96	\$4.40	\$4.40	\$6.44
Dual Purpose		\$10.27	\$10.27	\$19.18
Kitec		\$19.09	\$19.09	\$26.26

Pricing in U.S. funds..

Vertical Inlet and Outlet Setters

For 5/8", 5/8" x 3/4", 3/4" or 1" Meters

Vertical Style

Options listed below. For additional information or support contact customer service. Meter setters are made to order and not returnable.



Series 6040NL 5/8" Size Meter

Part Number	Wt. Each (lbs)	Box Qty	List Price
6040NL-107H3H3-VO		12	\$152.14

Series 6040NL 5/8" x 3/4" Size Meter

Part Number	Wt. Each (lbs)	Box Qty	List Price
6040NL-207H3H3-VO	4.5	12	\$151.05

Series 6040NL 3/4" Size Meter

Part Number	Wt. Each (lbs)	Box Qty	List Price
6040NL-307H3H3-VO	5	6	\$197.67

Series 6040NL 1" Size Meter

Part Number	Wt. Each (lbs)	Box Qty	List Price
6040NL-410H4H4-VO	6.7	6	\$293.55

Inlet Connections Options (Add or subtract from price)	Meter Size 5/8"	Meter Size 5/8" x 3/4"	Meter Size 3/4"	Meter Size 1"
CTS Compression, H,B,J or GJ	\$7.76	\$7.76	\$7.76	\$10.94
Copper Flare	\$3.96	\$4.40	\$4.40	\$6.44
Kitec		\$19.09	\$19.09	\$26.26

Options (Add or subtract from price)	Meter Size 5/8"	Meter Size 5/8" x 3/4"	Meter Size 1"
Ball Valves Reduced Port (Use "V" in model number)	\$61.80	\$61.80	\$124.02
Full Port (Use "U" in model number)	\$112.86	\$112.86	\$170.02
Single Check Valves (Use "X" in model number)	\$56.11	\$56.11	\$67.45
Dual Check Valves (Use "Q" in model number)	\$112.97	\$112.97	\$107.14
Angle Plug Valve (Use "AP" in model number)	\$50.86	\$50.86	\$77.98
Setter Height for every 3" above listed heights add to List Price	\$6.91	\$6.91	\$11.07

Pricing in U.S. funds..

Meter Setters

Vertical Inlet and Outlet Setters

Vertical Inlet and Outlet Setters for 1 1/2" and 2" Setters

All meter setters come standard with ball valve x flange female iron pipe inlet x outlet unless otherwise specified. See Options below for details. For additional information or support contact customer service. Meter setters are made to order and not returnable.



Series 6040NL 1 1/2" Size Meter

Part Number	Wt. Each (lbs)	Box Qty	List Price
6040NL-612F6F6-UO		1	\$1,260.74

Series 6040NL 2" Size Meter

Part Number	Wt. Each (lbs)	Box Qty	List Price
6040NL-712F6F6-UO		1	\$1,571.45

Options (Add or subtract from price)	Meter Size 1 1/2"	Meter Size 2"
Additional Full Port Ball Valve (Use "U" in model number))	\$222.00	\$226.23
Dual Check Valve (Use "Q" in model number)	\$326.65	\$237.99
Each addition 3" above 18"	\$43.02	\$52.94

Horizontal Inlet and Outlet Setters

For 5/8", 5/8" x 3/4", 3/4" or 1" Meters

See page 152 for options. For additional information or support contact customer service. Meter setters are made to order and not returnable.



Series 6020NL 5/8" Size Meter

Part Number	Wt. Each (lbs)	Box Qty	List Price
6020NL-107H3H3-VO		12	\$170.43
6020NL-109H3H3-VO		6	\$172.36
6020NL-112H3H3-VO		6	\$177.63
6020NL-115H3H3-VO		6	\$184.11
6020NL-118H3H3-VO		6	\$206.21
6020NL-121H3H3-VO		6	\$212.38

Series 6020NL 5/8" x 3/4" Size Meter

Part Number	Wt. Each (lbs)	Box Qty	List Price
6020NL-207H3H3-VO		12	\$173.81
6020NL-209H3H3-VO		6	\$175.62
6020NL-212H3H3-VO		6	\$180.74
6020NL-215H3H3-VO		6	\$187.25
6020NL-218H3H3-VO		6	\$209.67
6020NL-221H3H3-VO		6	\$215.78

Series 6020NL 3/4" Size Meter

Part Number	Wt. Each (lbs)	Box Qty	List Price
6020NL-307H3H3-VO			\$203.44
6020NL-309H3H3-VO			\$203.44
6020NL-312H3H3-VO			\$208.87
6020NL-315H3H3-VO			\$216.16
6020NL-318H3H3-VO			\$248.63
6020NL-321H3H3-VO			\$259.38

Series 6020NL 1" Size Meter

Part Number	Wt. Each (lbs)	Box Qty	List Price
6020NL-410H4H4-VO		6	\$350.33
6020NL-412H4H4-VO		6	\$356.93
6020NL-415H4H4-VO		6	\$364.95
6020NL-418H4H4-VO		6	\$412.53
6020NL-421H4H4-VO		6	\$429.84

Pricing in U.S. funds..

Meter Setters

Horizontal Inlet and Outlet Setters

Options for 6020NL Series Setters

Options (Add or subtract from price)	Meter Size 5/8"	Meter Size 5/8" x 3/4"	Meter Size 3/4"	Meter Size 1"
Ball Valves Reduced Port (Use "V" in model number)	\$61.80	\$61.80	\$61.80	\$124.02
Full Port (Use "U" in model number)	\$112.86	\$112.86	\$112.86	\$170.02
Single Check Valves (Use "X" in model number)	\$56.11	\$56.11	\$56.11	\$67.45
Dual Check Valves (Use "Q" in model number)	\$112.97	\$112.97	\$112.97	\$107.14
Angle Plug Valve (Use "AP" in model number)	\$50.86	\$50.86	\$50.86	\$77.98
Setter Height for every 3" above listed heights add to List Price	\$6.91	\$6.91	\$6.91	\$11.07

Options	Meter Size 5/8"	Meter Size 5/8" x 3/4"	Meter Size 3/4"	Meter Size 1"
Tandem Setter includes "S" Tube and connectors add T to end of series number				
7" & 9"	\$121.72	\$130.05 & \$159.11	198.88	
12"	\$121.72	\$130.05 & \$159.11	198.88	\$237.46
15"	\$107.00	\$115.29 & \$144.41	218.77	\$237.46
18" to 24"	\$110.47	\$118.85 & \$147.95	218.77	\$237.46

Series 440NL

Meter Thread x MIP (Regulator Adaptor for Tandem Setters)

Part Number	Inlet Size	Outlet Size	Wt. Each (lbs)	Box Qty	List Price
440NL-N3M3	3/4"	3/4"	0.8	40	\$15.94
440NL-N4M4	1"	1"	1.0	20	\$21.88

Inlet Connections - Price is per end connection	Meter Size 5/8"	Meter Size 5/8" x 3/4"	Meter Size 3/4"	Meter Size 1"
Kitec		\$24.42	\$24.42	\$33.59
Compression H, B, J or GJ	\$7.76	\$7.76	\$7.76	\$10.94
Copper Flare	\$3.96	\$4.40	\$4.40	\$6.44
Dual Purpose		\$10.27	\$10.27	\$19.18
FIP	-\$5.83	-\$5.83	-\$5.83	-\$10.10
MIP	-\$5.83	-\$5.83	-\$5.83	-\$10.10
PEP		\$7.95	\$7.95	\$13.05
PJ		\$6.13	\$6.13	\$12.99

Pricing in U.S. funds..

Horizontal Inlet and Outlet Setters

For 1 1/2" or 2" Meters

See page 150 for options. For additional information or support contact customer service. Meter setters are made to order and not returnable.



Meter Size	Height	Inlet	Outlet	Inlet Valve	Outlet Valve	Part Number	List Price
1 1/2"	12"	FIP	FIP	Ball	None	6020NL-612F6F6-UO	\$1,180.92
1 1/2"	15"	FIP	FIP	Ball	None	6020NL-615F6F6-UO	\$1,222.99
1 1/2"	18"	FIP	FIP	Ball	None	6020NL-618F6F6-UO	\$1,259.75
1 1/2"	21"	FIP	FIP	Ball	None	6020NL-621F6F6-UO	\$1,303.01
1 1/2"	24"	FIP	FIP	Ball	None	6020NL-624F6F6-UO	\$2,568.94
1 1/2"	12"	FIP	FIP	Ball	Ball	6020NL-612F6F6-UU	\$1,402.83
1 1/2"	15"	FIP	FIP	Ball	Ball	6020NL-615F6F6-UU	\$1,444.83
1 1/2"	18"	FIP	FIP	Ball	Ball	6020NL-618F6F6-UU	\$1,481.65
1 1/2"	21"	FIP	FIP	Ball	Ball	6020NL-621F6F6-UU	\$1,524.95
1 1/2"	24"	FIP	FIP	Ball	Ball	6020NL-624F6F6-UU	\$1,561.70
1 1/2"	12"	FIP	FIP	Ball	Dual Check	6020NL-612F6F6-UQ	\$1,507.55
1 1/2"	15"	FIP	FIP	Ball	Dual Check	6020NL-615F6F6-UQ	\$1,549.59
1 1/2"	18"	FIP	FIP	Ball	Dual Check	6020NL-618F6F6-UQ	\$1,586.43
1 1/2"	21"	FIP	FIP	Ball	Dual Check	6020NL-621F6F6-UQ	\$1,629.64
1 1/2"	24"	FIP	FIP	Ball	Dual Check	6020NL-624F6F6-UQ	\$1,666.37
2"	12"	FIP	FIP	Ball	None	6020NL-712F7F7-UO	\$1,357.51
2"	15"	FIP	FIP	Ball	None	6020NL-715F7F7-UO	\$1,410.38
2"	18"	FIP	FIP	Ball	None	6020NL-718F7F7-UO	\$1,463.35
2"	21"	FIP	FIP	Ball	None	6020NL-721F7F7-UO	\$1,522.65
2"	24"	FIP	FIP	Ball	None	6020NL-724F7F7-UO	\$1,575.62
2"	12"	FIP	FIP	Ball	Ball	6020NL-712F7F7-UU	\$1,582.72
2"	15"	FIP	FIP	Ball	Ball	6020NL-715F7F7-UU	\$1,637.83
2"	18"	FIP	FIP	Ball	Ball	6020NL-718F7F7-UU	\$1,690.74
2"	21"	FIP	FIP	Ball	Ball	6020NL-721F7F7-UU	\$1,750.03
2"	24"	FIP	FIP	Ball	Ball	6020NL-724F7F7-UU	\$1,803.04
2"	12"	FIP	FIP	Ball	Dual Check	6020NL-712F7F7-UQ	\$1,595.09
2"	15"	FIP	FIP	Ball	Dual Check	6020NL-715F7F7-UQ	\$1,647.89
2"	18"	FIP	FIP	Ball	Dual Check	6020NL-718F7F7-UQ	\$1,700.80
2"	21"	FIP	FIP	Ball	Dual Check	6020NL-721F7F7-UQ	\$1,760.14
2"	24"	FIP	FIP	Ball	Dual Check	6020NL-724F7F7-UQ	\$1,813.11

Pricing in U.S. funds..

Meter Setters

Horizontal Inlet and Outlet Setters

For 1 1/2" or 2" Meters

See page 150 for options. For additional information or support contact customer service. Meter setters are made to order and not returnable.



Meter Size	Height	Inlet	Outlet	Inlet Valve	Outlet Valve	Part Number	List Price
1 1/2"	12"	FIP	FIP	Ball	Ball	6020NL-612F6F6-UUB	\$1,519.34
1 1/2"	15"	FIP	FIP	Ball	Ball	6020NL-615F6F6-UUB	\$1,561.37
1 1/2"	18"	FIP	FIP	Ball	Ball	6020NL-618F6F6-UUB	\$1,598.14
1 1/2"	21"	FIP	FIP	Ball	Ball	6020NL-621F6F6-UUB	\$1,638.18
1 1/2"	24"	FIP	FIP	Ball	Ball	6020NL-624F6F6-UUB	\$1,678.21
1 1/2"	12"	FIP	FIP	Ball	Dual Check	6020NL-612F6F6-UQB	\$1,624.03
1 1/2"	15"	FIP	FIP	Ball	Dual Check	6020NL-615F6F6-UQB	\$1,666.10
1 1/2"	18"	FIP	FIP	Ball	Dual Check	6020NL-618F6F6-UQB	\$1,702.92
1 1/2"	21"	FIP	FIP	Ball	Dual Check	6020NL-621F6F6-UQB	\$1,746.16
1 1/2"	24"	FIP	FIP	Ball	Dual Check	6020NL-624F6F6-UQB	\$1,782.90
1 1/2"	12"	FIP	FIP	Ball	Ball	6020NL-612F6F6-UUHB	\$2,098.54
1 1/2"	15"	FIP	FIP	Ball	Ball	6020NL-615F6F6-UUHB	\$2,104.75
1 1/2"	18"	FIP	FIP	Ball	Ball	6020NL-618F6F6-UUHB	\$2,141.52
1 1/2"	21"	FIP	FIP	Ball	Ball	6020NL-621F6F6-UUHB	\$2,194.45
1 1/2"	24"	FIP	FIP	Ball	Ball	6020NL-624F6F6-UUHB	\$2,221.59
1 1/2"	12"	FIP	FIP	Ball	Dual Check	6020NL-612F7F7-UQHB	\$2,166.49
1 1/2"	15"	FIP	FIP	Ball	Dual Check	6020NL-615F7F7-UQHB	\$2,209.51
1 1/2"	18"	FIP	FIP	Ball	Dual Check	6020NL-618F7F7-UQHB	\$2,246.30
1 1/2"	21"	FIP	FIP	Ball	Dual Check	6020NL-621F7F7-UQHB	\$2,289.55
1 1/2"	24"	FIP	FIP	Ball	Dual Check	6020NL-624F7F7-UQHB	\$2,326.29
2"	12"	FIP	FIP	Ball	Ball	6020NL-712F7F7-UUB	\$1,701.41
2"	15"	FIP	FIP	Ball	Ball	6020NL-715F7F7-UUB	\$1,754.35
2"	18"	FIP	FIP	Ball	Ball	6020NL-718F7F7-UUB	\$1,801.26
2"	21"	FIP	FIP	Ball	Ball	6020NL-721F7F7-UUB	\$1,866.56
2"	24"	FIP	FIP	Ball	Ball	6020NL-724F7F7-UUB	\$1,919.57
2"	12"	FIP	FIP	Ball	Ball	6020NL-712F7F7-UQB	\$1,658.65
2"	15"	FIP	FIP	Ball	Ball	6020NL-715F7F7-UQB	\$1,766.27
2"	18"	FIP	FIP	Ball	Ball	6020NL-718F7F7-UQB	\$1,817.32
2"	21"	FIP	FIP	Ball	Ball	6020NL-721F7F7-UQB	\$1,876.63
2"	24"	FIP	FIP	Ball	Ball	6020NL-724F7F7-UQB	\$1,929.62
2"	12"	FIP	FIP	Ball	Ball	6020NL-712F7F7-UUHB	\$2,276.52
2"	15"	FIP	FIP	Ball	Ball	6020NL-715F7F7-UUHB	\$2,329.45
2"	18"	FIP	FIP	Ball	Ball	6020NL-718F7F7-UUHB	\$2,382.37
2"	21"	FIP	FIP	Ball	Ball	6020NL-721F7F7-UUHB	\$2,441.62
2"	24"	FIP	FIP	Ball	Ball	6020NL-724F7F7-UUHB	\$2,494.69
2"	12"	FIP	FIP	Ball	Ball	6020NL-712F7F7-UQHB	\$2,286.58
2"	15"	FIP	FIP	Ball	Ball	6020NL-715F7F7-UQHB	\$2,339.51
2"	18"	FIP	FIP	Ball	Ball	6020NL-718F7F7-UQHB	\$2,392.42
2"	21"	FIP	FIP	Ball	Ball	6020NL-721F7F7-UQHB	\$2,451.78
2"	24"	FIP	FIP	Ball	Ball	6020NL-724F7F7-UQHB	\$2,504.75

Pricing in U.S. funds..

Horizontal Inlet and Outlet Setters

For 1 1/2" or 2" Meters

See page 150 for options. For additional information or support contact customer service. Meter setters are made to order and not returnable.



Meter Size	Height	Inlet	Outlet	Inlet Valve	Outlet Valve	Part Number	List Price
1 1/2"	15"	CTS	CTS	Ball	None	6020NL-615H6H6-UO	\$1,293.00
1 1/2"	18"	CTS	CTS	Ball	None	6020NL-618H6H6-UO	\$1,336.02
1 1/2"	21"	CTS	CTS	Ball	None	6020NL-621H6H6-UO	\$1,379.05
1 1/2"	24"	CTS	CTS	Ball	None	6020NL-624H6H6-UO	\$1,422.05
1 1/2"	15"	CTS	CTS	Ball	Ball	6020NL-615H6H6-UU	\$1,523.49
1 1/2"	18"	CTS	CTS	Ball	Ball	6020NL-618H6H6-UU	\$1,566.52
1 1/2"	21"	CTS	CTS	Ball	Ball	6020NL-621H6H6-UU	\$1,609.54
1 1/2"	24"	CTS	CTS	Ball	Ball	6020NL-624H6H6-UU	\$1,652.56
1 1/2"	15"	CTS	CTS	Ball	Dual Check	6020NL-615H6H6-UQ	\$1,628.31
1 1/2"	18"	CTS	CTS	Ball	Dual Check	6020NL-618H6H6-UQ	\$1,665.15
1 1/2"	21"	CTS	CTS	Ball	Dual Check	6020NL-621H6H6-UQ	\$1,708.28
1 1/2"	24"	CTS	CTS	Ball	Dual Check	6020NL-624H6H6-UQ	\$1,751.19
2"	15"	CTS	CTS	Ball	None	6020NL-715H7H7-UO	\$1,575.59
2"	18"	CTS	CTS	Ball	None	6020NL-718H7H7-UO	\$1,628.54
2"	21"	CTS	CTS	Ball	None	6020NL-721H7H7-UO	\$1,681.48
2"	24"	CTS	CTS	Ball	None	6020NL-724H7H7-UO	\$1,734.42
2"	15"	CTS	CTS	Ball	Ball	6020NL-715H7H7-UU	\$1,809.38
2"	18"	CTS	CTS	Ball	Ball	6020NL-718H7H7-UU	\$1,862.32
2"	21"	CTS	CTS	Ball	Ball	6020NL-721H7H7-UU	\$1,915.26
2"	24"	CTS	CTS	Ball	Ball	6020NL-724H7H7-UU	\$1,968.20
2"	15"	CTS	CTS	Ball	Dual Check	6020NL-715H7H7-UQ	\$1,813.02
2"	18"	CTS	CTS	Ball	Dual Check	6020NL-718H7H7-UQ	\$1,866.05
2"	21"	CTS	CTS	Ball	Dual Check	6020NL-721H7H7-UQ	\$1,918.99
2"	24"	CTS	CTS	Ball	Dual Check	6020NL-724H7H7-UQ	\$1,925.29

Options (Add or subtract from price)	Meter Size 1 1/2"	Meter Size 2"
Additional Full Port Ball Valve (Use "U" in model number)	\$222.00	\$226.23
Dual Check Valve (Use "Q" in model number)	\$326.65	\$237.99
Each addition 3" above 18"	\$43.02	\$52.94
By-Pass	\$116.53	\$116.53
High By-Pass	\$543.41	\$575.12

Pricing in U.S. funds..

Meter Setters

Vertical Inlet and Horizontal Outlet Setters

See Options below for details. For additional information or support contact customer service. Meter setters are made to order and not returnable. Standard height on 5/8" x 3/4" and 3/4" is 7". Standard height on 1" setter is 10"

Series 6022NL 3/4" Size Meter

Part Number	List Price
6022NL-307H3H3-VO	\$174.16

Series 6022NL 5/8" x 3/4" Size Meter

Part Number	List Price
6022NL-207H3H3-VO	\$174.16

Series 6022NL 1" Size Meter

Part Number	List Price
6022NL-410H4H4-VO	\$329.07

Options (Add or subtract from price)	Meter Size 5/8"	Meter Size 5/8" x 3/4" & 3/4"	Meter Size 1"
Ball Valves Reduced Port (Use "V" in model number)	\$61.80	\$61.80	\$124.02
Full Port (Use "U" in model number)	\$112.86	\$112.86	\$170.02
Single Check Valves (Use "X" in model number)	\$56.11	\$56.11	\$67.45
Dual Check Valves (Use "Q" in model number)	\$112.97	\$112.97	\$107.14
Angle Plug Valve (Use "AP" in model number)	\$50.86	\$50.86	\$77.98
Setter Height for every 3" above listed heights add to price	\$6.91	\$6.91	\$11.07

Options (Add or subtract from price)	Meter Size 5/8"	Meter Size 5/8" x 3/4"	Meter Size 3/4"	Meter Size 1"
Tandem Setter includes "S" Tube and connectors add T to end of series number				
7" & 9"	\$121.72	\$130.05	\$159.11	
12"	\$121.72	\$130.05	\$159.11	\$237.46
15"	\$107.01	\$115.29	\$144.41	\$237.46
18" to 24"	\$110.47	\$118.85	\$147.95	\$237.46

Inlet Connections (Add or subtract from price)	Meter Size 5/8"	Meter Size 5/8" x 3/4"	Meter Size 3/4"	Meter Size 1"
Kitec		\$24.42	\$24.42	\$33.59
Compression H, B, J or GJ	\$7.76	\$7.76	\$7.76	\$10.94
Copper Flare	\$3.96	\$4.40	\$4.40	\$6.44
Dual Purpose		\$10.27	\$10.27	\$19.18
FIP	-\$5.83	-\$5.83	-\$5.83	-\$10.10
MIP	-\$5.83	-\$5.83	-\$5.83	-\$10.10
PEP		\$7.95	\$7.95	\$13.05
PJ		\$6.13	\$6.13	\$13.05

Pricing in U.S. funds..

Pit Setter (Plastic Pit not included)

For 5/8", 5/8" x 3/4", 3/4" or 1" Meters

Cambridge Brass 6050 NL Series Meter Setters are designed for installation in to your pit shell. Pit shell is not included. Using your specific design criteria the 6050NL series will provide the internal meter setting with valves, risers and connectors you require. Pit diameter, wall thickness service line bury should be carefully considered when ordering. Typical meter depth from surface or grade level is 14", however you are in control when you apply the setter. See page 153 for options. For additional information or support contact customer service. Meter setters are made to order and not returnable.



Series 6050NL 5/8" Size Meter

Part Number	List Price
6050NL-112M3M3-VO	\$302.20
6050NL-115M3M3-VO	\$302.20
6050NL-118M3M3-VO	\$308.67
6050NL-121M3M3-VO	\$315.13
6050NL-124M3M3-VO	\$321.59

Series 6050NL 5/8" x 3/4" Size Meter

Part Number	List Price
6050NL-212M3M3-VO	\$302.20
6050NL-215M3M3-VO	\$302.20
6050NL-218M3M3-VO	\$308.67
6050NL-221M3M3-VO	\$315.13
6050NL-224M3M3-VO	\$321.59

Series 6050NL 3/4" Size Meter

Part Number	List Price
6050NL-312M3M3-VO	\$317.10
6050NL-315M3M3-VO	\$317.10
6050NL-318M3M3-VO	\$323.57
6050NL-321M3M3-VO	\$330.03
6050NL-324M3M3-VO	\$336.49

Series 6050NL 1" Size Meter

Part Number	List Price
6050NL-412M3M3-VO	\$485.02
6050NL-415M3M3-VO	\$485.02
6050NL-418M3M3-VO	\$493.04
6050NL-421M3M3-VO	\$501.06
6050NL-424M3M3-VO	\$509.08

For options see page 158

Pricing in U.S. funds..

Meter Setters

Pit Setter (Plastic Pit not included)

For 5/8", 5/8" x 3/4", 3/4" or 1" Meters

Options (Add or subtract from price)	Meter Size 5/8"	Meter Size 5/8" x 3/4"	Meter Size 1"
Ball Valves Reduced Port (Use "V" in model number)	\$61.80	\$61.80	\$124.02
Full Port (Use "U" in model number)	\$112.86	\$112.86	\$170.02
Single Check Valves (Use "X" in model number)	\$56.11	\$56.11	\$67.45
Dual Check Valves (Use "Q" in model number)	\$112.97	\$112.97	\$107.14
Angle Plug Valve (Use "AP" in model number)	\$50.86	\$50.86	\$77.98
Setter Height for every 3" above listed heights add to List Price	\$6.91	\$6.91	\$11.07

Inlet Connections - Price per end connection	Meter Size 5/8"	Meter Size 5/8" x 3/4"	Meter Size 3/4"	Meter Size 1"
Kitec		\$24.42	\$24.42	\$33.59
Compression H, B, J or GJ	\$12.63	\$12.63	\$12.63	\$29.06
Copper Flare	\$15.48	\$15.48	\$15.48	\$27.85
Dual Purpose	\$4.58	\$4.58	\$4.58	\$5.67
FIP	-\$5.83	-\$5.83	-\$5.83	-\$10.10
MIP	-\$5.83	-\$5.83	-\$5.83	-\$10.10
PEP		\$7.95	\$7.95	\$13.05
PJ		\$6.13	\$6.13	\$12.99

Pricing in U.S. funds..

Line Setter

See Options below for details. For additional information contact customer service for additional support. Meter setters are made to order and not returnable.

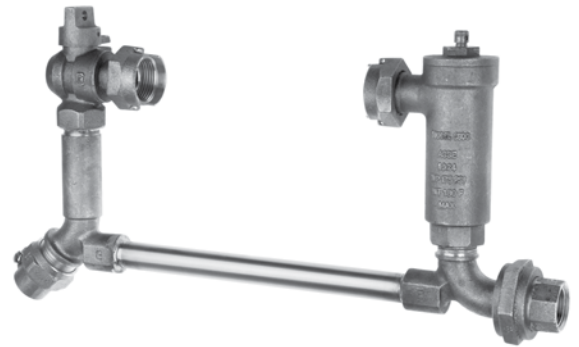
Series 6060NL

Horizontal Inlet and Outlet

Part Number	Inlet Connection	Outlet Connection	Meter Size	Box Qty	List Price
6060NL-2D3D3-VO	3/4" Dual Purpose	3/4" Dual Purpose	5/8" x 3/4"	8	\$172.91
6060NL-3D3D3-VO	3/4" Dual Purpose	3/4" Dual Purpose	3/4"	8	\$185.15

Line Setter

All 6065 Line Setters come standard with reduced port ball valve x meter nut. See Options below for details. For additional information contact customer service for additional support. Meter setters are made to order and not returnable.



Series 6065NL

Angle Inlet and Horizontal Outlet

Part Number	Inlet Connection	Outlet Connection	Meter Size	Box Qty	List Price
6065NL-2D3D3-VO	3/4" Dual Purpose	3/4" Dual Purpose	5/8" x 3/4"	9	\$172.91
6065NL-3D3D3-VO	3/4" Dual Purpose	3/4" Dual Purpose	3/4"	9	\$185.15

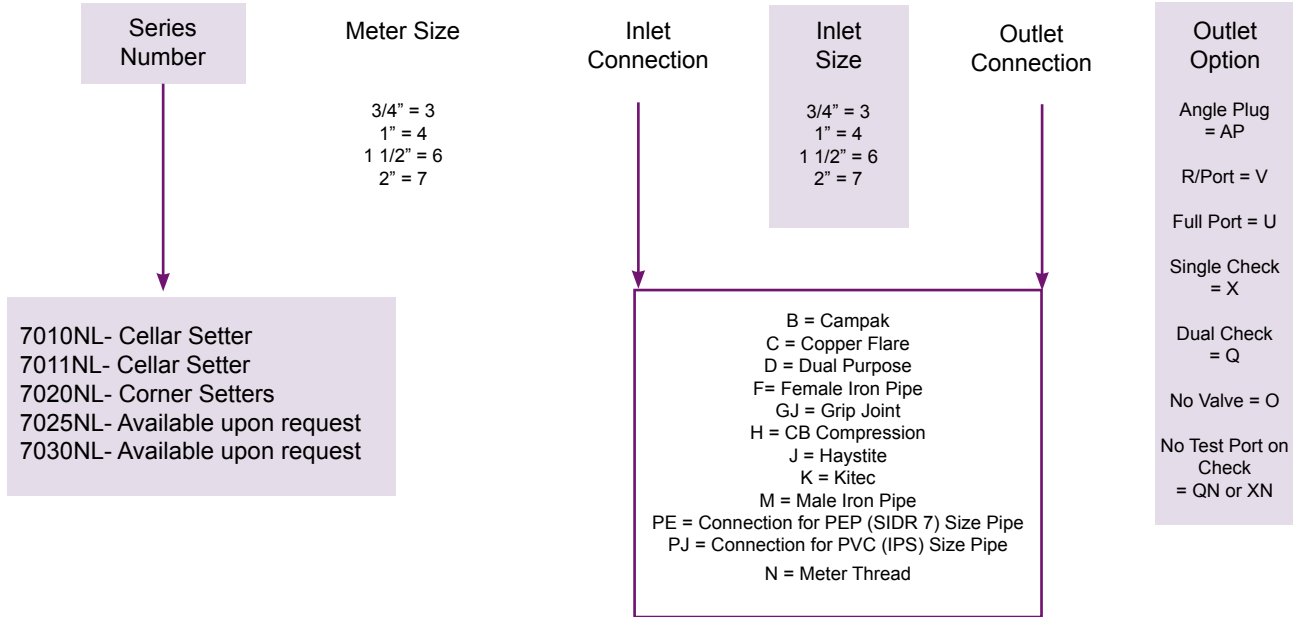
Options for Line Setters (Add or Subtract from price)	Meter Size 5/8"	Meter Size 5/8" x 3/4"	Meter Size 1"
Ball Valves Reduced Port (Use "V" in model number)	\$61.80	\$61.80	\$124.02
Full Port (Use "U" in model number)	\$112.86	\$112.86	\$170.02
Single Check Valves (Use "X" in model number)	\$56.11	\$56.11	\$67.45
Dual Check Valves (Use "Q" in model number)	\$112.97	\$112.97	\$107.14
Angle Plug Valve (Use "AP" in model number)	\$50.86	\$50.86	\$77.98
Setter Height for every 3" above listed heights add to Price	\$6.91	\$6.91	\$11.07

Pricing in U.S. funds..

Meter Setters

Meter Setter Part Numbering

7010NL - 2 H 3 H 3



Pricing in U.S. funds..

Cellar Setters

For 5/8", 5/8" x 3/4" or 3/4" Meters

Cambridge Brass Cellar Setters are typically used in applications where the water meter is inside the dwelling. Available configurations accommodate vertical & horizontal water lines while setting the water meter in a horizontal position. For additional information or support contact customer service. Meter setters are made to order and not returnable.



Series 7010NL 5/8" Meter

Part Number	Connection	List Price
7010NL-1H3H3	3/4" CB Compression	\$149.78
7010NL-1B3B3	3/4" Campak	\$149.78
7010NL-1GJ3GJ3	3/4" Grip Joint	\$149.78
7010NL-1C3C3	3/4" Copper Flare	\$138.16
7010NL-1S3S3	3/4" Solder	\$115.91
7010NL-1F3F3	3/4" Female Iron Pipe	\$115.91
7010NL-1F4F4	1" Female Iron Pipe	\$148.46
7010NL-1M3M3	3/4" Male Iron Pipe	\$115.91
7010NL-1M4M4	1" Male Iron Pipe	\$148.46

Series 7010NL 5/8" x 3/4" Meter

Part Number	Connection	List Price
7010NL-2H3H3	3/4" CB Compression	\$155.90
7010NL-2B3B3	3/4" Campak	\$155.90
7010NL-2GJ3GJ3	3/4" Grip Joint	\$155.90
7010NL-2C3C3	3/4" Copper Flare	\$144.28
7010NL-2S3S3	3/4" Solder	\$122.04
7010NL-2F3F3	3/4" Female Iron Pipe	\$122.04
7010NL-2F4F4	1" Female Iron Pipe	\$154.57
7010NL-2M3M3	3/4" Male Iron Pipe	\$122.04
7010NL-2M4M4	1" Male Iron Pipe	\$154.57

Series 7010NL 3/4" Meter

Part Number	Connection	List Price
7010NL-3H3H3	3/4" CB Compression	\$172.00
7010NL-3B3B3	3/4" Campak	\$172.00
7010NL-3GJ3GJ3	3/4" Grip Joint	\$172.00
7010NL-3C3C3	3/4" Copper Flare	\$160.38
7010NL-3S3S3	3/4" Solder	\$138.15
7010NL-3F3F3	3/4" Female Iron Pipe	\$138.15
7010NL-3F4F4	1" Female Iron Pipe	\$154.46
7010NL-3M3M3	3/4" Male Iron Pipe	\$138.15
7010NL-3M4M4	1" Male Iron Pipe	\$154.46



Series 7011NL 5/8" Meter

Part Number	Connection	List Price
7011NL-1N1N1	5/8" x 5/8" Meter Thread	\$87.19
7011NL-1N2N2	5/8" x 3/4" x 5/8" x 3/4" Meter Thread	\$88.94

Series 7011NL 5/8" x 3/4" Meter

Part Number	Connection	List Price
7011NL-2N1N1	5/8" x 5/8" Meter Thread	\$93.96
7011NL-2N2N2	5/8" x 3/4" x 5/8" x 3/4" Meter Thread	\$94.83

Series 7011NL 1" Meter

Part Number	Connection	List Price
7011NL-4N4N4	1" x 1" Meter Thread	\$182.24

Pricing in U.S. funds..

Corner Setters

For 5/8", 5/8" x 3/4" or 3/4" Meters

Cambridge Brass Corner Setters are typically used in applications where the water meter is inside the dwelling and in a corner close to the foundation wall or an obstruction. This configuration accommodates vertical water lines while setting the water meter in a horizontal position. For additional information or support contact customer service. Meter setters are made to order and not returnable.



Series 7020NL 5/8" Meter

Part Number	Connection	List Price
7020NL-1M3M3	3/4" Male Iron Pipe	\$91.07
7020NL-1H3H3	3/4" CB Compression	\$124.94
7020NL-1S3S3	3/4" Solder	\$91.07
7020NL-1H3M3	3/4" CB Compression x MIP	\$108.00

Series 7020NL 5/8" x 3/4" Meter

Part Number	Connection	List Price
7020NL-2M3M3	3/4" Male Iron Pipe	\$96.18
7020NL-2H3H3	3/4" CB Compression	\$130.04
7020NL-2S3S3	3/4" Solder	\$96.18
7020NL-2H3M3	3/4" CB Compression x MIP	\$113.11

Series 7020NL 3/4" Meter

Part Number	Connection	List Price
7020NL-3M3M3	3/4" Male Iron Pipe	\$106.63
7020NL-3H3H3	3/4" CB Compression	\$140.49
7020NL-3S3S3	3/4" Solder	\$106.70
7020NL-3H3M3	3/4" CB Compression x MIP	\$123.56



Part Number Format

Example: 2" Meter Swivel Nut x MIP Straight Meter Coupling = 417NL - T 7 M 7

Series Number	Inlet Connection	Inlet Size	Outlet Connection	Outlet Size
405NL = Angle Meter Coupling	F = Female Iron Pipe	1 = 1/2"	B = Campak	1 = 1/2"
406NL = 1/8" Bend Meter Coupling	IP = Iron Pipe Compression	2 = 5/8"	F = Female Iron Pipe	2 = 5/8"
412NL = Internal Hex Body Design	T= Meter Swivel Nut	3 = 3/4"	GJ = Grip Joint	3 = 3/4"
416NL = Meter Coupling		4 = 1"	CB = CB Compression	4 = 1"
417NL = Straight Meter Coupling		5 = 1 1/4"	J = Haystite	5 = 1 1/4"
421NL = Brass Meter Flanges FIP		6 = 1 1/2"	K = Kitec	6 = 1 1/2"
422 = Ductile Iron Meter Flanges		7 = 2"	M = Male Iron Pipe	7 = 2"
423NL = Solder Meter Flanges			PE = PEP Campak	
424NL = Meter Flange x MIP			PJ = PVC Campak	
440NL = Meter Increasing Bushing				
450 = Plastic Idler Bars				
450NL = Copper Idler Bars				

Pricing in U.S. funds.

Angle Meter Couplings

Meter swivel nuts are less saddle, have internal straight threads per AWWA C700, and include hole for wire seal unless otherwise indicated. EPDM rubber gaskets are supplied and are standard. Fibre or leather gaskets sold separately.

Series 405NL Meter Nut x MIP



Part Number	Inlet Size	Outlet Size	Wt. Each (lbs)	Box Qty	List Price
405NL-T1M1	1/2"	1/2"	0.4	100	\$23.44
405NL-T3M3	3/4"	3/4"	0.7	60	\$23.37
405NL-T4M4	1"	1"	1.0	30	\$33.40

Series 405NL Meter Nut x Campak Compression



Part Number	Inlet Size	Outlet Size	Wt. Each (lbs)	Box Qty	List Price
405NL-T3B3	3/4"	3/4"	1.1	20	\$34.67

Series 405NL Meter Nut x CB Compression

Part Number	Inlet Size	Outlet Size	Wt. Each (lbs)	Box Qty	List Price
405NL-T3H3	3/4"	3/4"	1.1	12	\$34.67

Series 405NL Meter Nut x Solder



Part Number	Inlet Size	Outlet Size	Wt. Each (lbs)	Box Qty	List Price
405NL-T3S3	3/4"	3/4"	1.1	20	\$41.03

Eight Bend Coupling

Series 406NL Meter Nut x MIP



Part Number	Inlet Size	Outlet Size	Wt. Each (lbs)	Box Qty	List Price
406NL-T3M3	3/4"	3/4"	0.60	80	\$25.59
406NL-T4M4	1"	1"	0.90	50	\$36.53
406NL-T6M6	1 1/2"	1 1/2"	2.2	20	\$117.57

Pricing in U.S. funds.

Meter Couplings - Straight

Meter swivel nuts are less saddle, have internal straight threads per AWWA C700, NSF and include hole for wire seal unless otherwise indicated. NSF rubber gaskets are supplied and are standard.

Series 412NL Meter Nut x MIP



Part Number	Inlet Size	Outlet Size	Wt. Each (lbs)	Box Qty	List Price
412NL-T3M3	3/4"	3/4"	0.4	120	\$23.61
412NL-T3M32500	3/4"	3/4"	0.5	80	\$23.61
412NL-T4M4	1"	1"	0.6	84	\$28.19
412NL-T4M42500	1"	1"	0.7	60	\$28.19

Series 417NL Meter Nut x MIP



Part Number	Inlet Size	Outlet Size	Wt. Each (lbs)	Box Qty	List Price
417NL-T1M1	1/2"	1/2"	0.3	120	\$14.05
417NL-T1M3	1/2"	3/4"	0.5	100	\$17.43
417NL-T3M1	3/4"	1/2"	0.5	80	\$20.18
417NL-T3M3	3/4"	3/4"	0.4	100	\$15.81
417NL-T3M31812	3/4"	3/4"			\$20.18
417NL-T3M32000	3/4"	3/4"	0.4	90	\$15.81
417NL-T3M32250	3/4"	3/4"	0.5	80	\$15.81
417NL-T3M33000	3/4"	3/4"	0.5	80	\$19.18
417NL-T3M312000	3/4"	3/4"	1.4	25	\$83.13
417NL-T4M4	1"	1"	0.7	60	\$24.35
417NL-T4M41500	1"	1"	0.6	72	\$24.49
417NL-T4M41812	1"	1"	0.6	72	\$24.49
417NL-T4M42000	1"	1"	0.7	60	\$28.19
417NL-T4M42250	1"	1"	0.7	56	\$28.19
417NL-T4M42687	1"	1"	0.8	48	\$28.19
417NL-T4M44625	1"	1"	1.1	6	\$28.18
417NL-T6M6	1 1/2"	1 1/2"	1.8	24	\$67.84
417NL-T7M7	2"	2"	2.6	16	\$94.52

Series 417NL Meter Nut x Solder



Part Number	Inlet Size	Outlet Size	Wt. Each (lbs)	Box Qty	List Price
417NL-T1S1	1/2"	1/2"	0.2	150	\$10.08
417NL-T1S3	1/2"	3/4"	0.4	100	\$13.01
417NL-T3S1	3/4"	1/2"	0.3	150	\$12.97
417NL-T3S3	3/4"	3/4"	0.4	150	\$14.20
417NL-T4S4	1"	1"	0.6	100	\$17.25

Series 417NL Meter Nut x Campak



Part Number	Inlet Size	Outlet Size	Wt. Each (lbs)	Box Qty	List Price
417NL-T1B1	1/2"	1/2"	0.2	60	\$26.41
417NL-T1B3	1/2"	3/4"	0.4	60	\$30.51
417NL-T3B3	3/4"	3/4"	0.3	60	\$30.51
417NL-T3B4	3/4"	1"	0.4	60	\$32.89
417NL-T4B4	1"	1"	0.6	12	\$41.13

Series 417NL Meter Nut x CB Compression



Part Number	Inlet Size	Outlet Size	Wt. Each (lbs)	Box Qty	List Price
417NL-T1H3	1/2"	3/4"	0.9	60	\$26.86
417NL-T3H3	3/4"	3/4"	0.9	60	\$30.51
417NL-T3H4	3/4"	1"	1.0	18	\$32.89
417NL-T4H4	1"	1"	1.5	18	\$41.13

Series 417NL Meter Nut x IP (Galvanized) Pipe



Part Number	Inlet Size	Outlet Size	Wt. Each (lbs)	Box Qty	List Price
417NL-T1IP1	1/2"	1/2"	0.7	60	\$28.31
417NL-T1IP3	1/2"	3/4"	0.9	60	\$28.15
417NL-T3IP3	3/4"	3/4"	0.9	60	\$34.53
417NL-T4IP4	1"	1"	1.5	18	\$62.00

Pricing in U.S. funds.

Meter Couplings - Straight

Meter swivel nuts are less saddle, have internal straight threads per AWWA C700, NSF and include hole for wire seal unless otherwise indicated. NSF rubber gaskets are supplied and are standard.

Series 417NL Meter Nut x FIP



Part Number	Inlet Size	Outlet Size	Wt. Each (lbs)	Box Qty	List Price
417NL-T3F3	3/4"	3/4"	0.50	60	\$23.33
417NL-T3F4	3/4"	1"	0.70	60	\$33.62

Series 417NL Pex Meter Coupling



Part Number	Inlet Size	Outlet Size	Wt. Each (lbs)	Box Qty	List Price
417NL-T1W3	1/2"	3/4"	0.2	100	\$9.54
417NL-T3W3	3/4"	3/4"	0.3	100	\$19.34

Series 417NL Meter Nut x Kitec



Part Number	Inlet Size	Outlet Size	Wt. Each (lbs)	Box Qty	List Price
417NL-T3K3	3/4"	3/4"	0.9	100	\$54.93

Series 416NL FIP x MIP Meter Coupling



Part Number	Inlet Size	Outlet Size	Wt. Each (lbs)	Box Qty	List Price
416NL-F6M6	1 1/2"	1 1/2"	2.3	15	\$67.84
416NL-F7M7	2"	2"	4.1	10	\$94.51

Meter Bushings

Series 440NL Meter Sizing Bushings



Part Number	Inlet Size	Outlet Size	Wt. Each (lbs)	Box Qty	List Price
440NL-N3N2	5/8"	5/8" x 3/4"	0.5	60	\$6.99
440NL-3N2XL (LONG)	5/8"	5/8" x 3/4"	0.6	50	\$7.38
440NL-N3R2	5/8"	5/8" x 3/4"	0.5	40	\$16.93
440NL-N4R2	1"	5/8" x 3/4"	0.6	16	\$20.36
440NL-N4R3	1"	3/4"	0.7	20	\$15.63

Series 440NL Meter Thread x MIP (Regulator Adaptor for Tandem Setters)



Part Number	Inlet Size	Outlet Size	Wt. Each (lbs)	Box Qty	List Price
440NL-N3M3	3/4"	3/4"	0.8	40	\$15.94
440NL-N4M4	1"	1"	1.0	20	\$21.88

Pricing in U.S. funds.

Gaskets & Idler Bars

Meter Gaskets

Series 41

Rubber Meter Gaskets



Part Number	Meter Size	Wt. Each (lbs)	Box Qty	List Price	Price Each
41-1	5/8"	1.85	500	\$158.05	\$0.32
41-3	3/4"	2.6	500	\$207.10	\$0.41
41-4	1"	2.8	500	\$218.00	\$0.44
41-6	1 1/2"	0.01	50	\$180.94	\$3.62
41-7	2"	0.02	50	\$205.47	\$4.11

Series 45

Flanged Rubber Meter Gaskets



Part Number	Meter Size	Wt. Each (lbs)	Box Qty	Box Price	Price Each
45-1	5/8"		25	\$29.25	\$1.13
45-3	5/8" x 3/4"		25	\$31.25	\$1.21
45-4	1"		10	\$17.40	\$1.69

Series 42

Flanged Rubber Meter Gaskets



Part Number	Inlet Size	Outlet Size	Wt. Each (lbs)	Box Qty	List Price
42-6	1 1/2"	1 1/2"	0.06	400	\$3.62
42-7	2"	2"	0.14	250	\$4.11

Idler Bars

Series 450

Plastic Idler Bars



Part Number	Meter Size	Wt. Each (lbs)	Box Qty	List Price
450-1	5/8"	0.2	30	\$7.16
450-2	5/8" x 3/4"	0.2	15	\$6.27
450-3	3/4"	0.4	25	\$8.77
450-4	1"	0.3	15	\$12.31

Series 450

Copper Idler Bars



Part Number	Meter Size	Wt. Each (lbs)	Box Qty	List Price
450NL-6	1 1/2"	5.5	6	\$164.50
450NL-7	2"	5.6	2	\$217.34

Pricing in U.S. funds.

Flanges

Rubber gaskets are supplied and standard unless noted. Oval meter flanges are faced and drilled per AWWA C700.

- Stainless steel meter support brackets not included - Bolt hole diameters on 1 1/2" oval flange = .72, 2", oval flange = .81.

Series 42
Bolt Kits for Meter Flanges
(Zinc Plated) (4 Per Kit)



Part Number	Inlet Size	Wt. Each (lbs)	Box Qty	List Price
42-2	1 1/2"	1.4	20	\$7.82
42-3	2"	2.1	20	\$7.82

Series 423
Brass Meter Flange x Solder Kit



Part Number	Inlet Size	Outlet Size	Wt. Each (lbs)	Box Qty	List Price
423NL-6	1 1/2"	1 1/2"	5.0	1	\$70.82
423NL-7	2"	2"	7.1	1	\$92.48

Series 42
Bolt Kits for Meter Flanges
(Stainless Steel) (4 Per Kit)



Part Number	Meter Size	Wt. Each (lbs)	Box Qty	List Price
42-0	1 1/2"	0.03	25	\$25.17
42-1	2"	2.2	1	\$33.79

Series 424NL
Brass Meter Flange x MIP Kit



Part Number	Inlet Size	Outlet Size	Wt. Each (lbs)	Box Qty	List Price
424NL-6	1 1/2"	1 1/2"	6.1	1	\$76.52
424NL-7	2"	2"	7.9	1	\$102.05

Series 421
Brass Meter Flanges x FIP (KIT)



Part Number	Inlet Size	Outlet Size	Wt. Each (lbs)	Box Qty	List Price
421NL-6	1 1/2"	1 1/2"	4.7	1	\$155.11
421NL-7	2"	2"	5.7	1	\$212.95

Series 424NL
Brass Meter Flange x MIP
(Flanges only)



Part Number	Inlet Size	Outlet Size	Wt. Each (lbs)	Box Qty	List Price
5030295NL	1 1/2"	1 1/2"	1.5	5	\$66.15
5030390NL	2"	2"	2.8	5	\$84.78

Series 422
Cast Iron Meter Flange x FIP (KIT)



Part Number	Inlet Size	Outlet Size	Wt. Each (lbs)	Box Qty	List Price
422-6	1 1/2"	1 1/2"	5.5	6	\$33.09
422-7	2"	2"	6.4	6	\$37.05

Pricing in U.S. funds.

Flanges with Stainless Steel Bolts

Rubber gaskets are supplied and standard unless noted. Oval meter flanges are faced and drilled per AWWA C700.

- Stainless steel meter support brackets not included
- Stainless steel bolts included
- Bolt hole diameters on 1 1/2" oval flange = .72, 2" , oval flange = .81.

Series 421

Brass Meter Flanges x FIP (KIT)

Part Number	Inlet Size	Outlet Size	Wt. Each (lbs)	Box Qty	List Price
421NL-6SS	1 1/2"	1 1/2"	6.5	1	\$194.51
421NL-7SS	2"	2"	5.8	1	\$246.34

Series 423

Brass Meter Flange x Solder

Part Number	Inlet Size	Outlet Size	Wt. Each (lbs)	Box Qty	List Price
423NL-6SS	1 1/2"	1 1/2"	4.9	1	\$95.70
423NL-7SS	2"	2"	7.2	1	\$125.86

Series 422

Cast Iron Meter Flange x FIP (KIT)

Part Number	Inlet Size	Outlet Size	Wt. Each (lbs)	Box Qty	List Price
422-6SS	1 1/2"	1 1/2"	6.0	1	\$44.41
422-7SS	2"	2"	6.2	1	\$52.23



Series 424NL

Brass Meter Flange x MIP

Part Number	Inlet Size	Outlet Size	Wt. Each (lbs)	Box Qty	List Price
424NL-6SS	1 1/2"	1 1/2"	6.5	1	\$101.38
424NL-7SS	2"	2"	7.8	1	\$135.43

Pricing in U.S. funds.

Meter Accessories

Single & Dual Check Valves

Dual Check Valves

Series 500NL

Angle Dual Check Valves



Part Number	Meter Size	Outlet Size	Wt. Each (lbs)	Box Qty	List Price
500NL-T1F3	5/8"	3/4"	1.6	8	\$113.00
500NL-T3F3	5/8" x 3/4" & 3/4"	3/4"	1.8	8	\$113.00
500NL-T4F4	1"	1"	2.2	4	\$128.23
500NL-MF6F6	1 1/2"	1 1/2"	9.0	1	\$447.38
500NL-MF7F7	2"	2"	10.1	1	\$447.38

Series 500NL

Meter Nut x CB Compression

Part Number	Meter Size	Outlet Size	Wt. Each (lbs)	Box Qty	List Price
500NL-T3H3	5/8" x 3/4" & 3/4"	3/4"	2.6	8	\$127.50
500NL-T4H4	1"	1"	3.7	5	\$221.11

Series 510NL

Meter Nut x FIP (Accessible)



Part Number	Meter Size	Outlet Size	Wt. Each (lbs)	Box Qty	List Price
510NL-T3F3	5/8" x 3/4" & 3/4"	3/4"	2.2	8	\$118.74

Series 520NL

Meter Nut x FIP (Non-Accessible)



Part Number	Meter Size	Outlet Size	Wt. Each (lbs)	Box Qty	List Price
520NL-T3F3	5/8" x 3/4" & 3/4"	3/4"	1.8	10	\$106.01
520NL-F3F3	5/8" x 3/4" & 3/4"	3/4"	1.8	10	\$96.38

Single Check Valves

Series 590NL

Meter Nut x FIP (Accessible)



Part Number	Meter Size	Outlet Size	Wt. Each (lbs)	Box Qty	List Price
590NL-T3F3	5/8" x 3/4" & 3/4"	3/4"	1.7	8	\$56.14
590NL-F4F4	1"	3/4"	2.1	6	\$67.43
590NL-T3H3	5/8" x 3/4" & 3/4"	3/4"	1.9	5	\$65.90

Series 50NL

Dual Check Valve Repair Kit



Part Number	Check Size	Wt. Each (lbs)	Box Qty	List Price
50-3	3/4"		25	\$21.72
50-4	1"		25	\$40.62
50NL-7	1 1/2" & 2"		15	\$112.19

Pricing in U.S. funds.



Part Number Format

Example: 1" Iron Yokes = **460 - 4**

Series Number	Size
117NL = Straight Coupling with Yoke Connection	1 = 1/2"
150NL = Angle Connection with Yoke Connection	2 = 5/8"
210NL = Angle Valve with Yoke Connection	3 = 3/4"
212NL = Straight Valve with Yoke Connection	4 = 1"
430NL = Expansion Couplings for Iron Yoke - Handwheel type	
431NL = Expansion Couplings for Iron Yoke - Wrench type	
432NL = Expansion Couplings for Iron Yoke - Locking Socket Screw	
460 = Standard Iron Yoke Bar	
461 = Standard Iron Yoke Bar with Prongs	
500NL = Dual Check Valves with Yoke Connection	

Iron Yokes

Yoke Bars & Gaskets

Iron Yokes

Iron Yokes

Series 460

Iron Yoke Bars (Standard)



Part Number	Meter Size	Wt. Each (lbs)	Box Qty	List Price
460-1	5/8"	3.7	10	\$17.59
460-2	5/8" x 3/4"	3.6	10	\$18.38
460-3	3/4"	4.0	10	\$20.94
460-4	1"	6.5	6	\$33.15

Series 461

Iron Yoke Bars (with Prongs)



Part Number	Meter Size	Wt. Each (lbs)	Box Qty	List Price
461-1	5/8"	4.0	10	\$19.07
461-2	5/8" x 3/4"	3.9	10	\$19.74
461-4	1"	6.8	6	\$34.53

Gaskets

Series 41 Gaskets to Seal Meter & Yoke Connection



Part Number	Meter Size	Wt. Each (lbs)	Box Qty	List Price
41-SR1	5/8"		25	\$10.50
41-SR3	5/8" x 3/4" x 3/4"		25	\$14.75
41-SR4	1"		10	\$6.30

Series 44

Profile Expansion Gasket



Part Number	Meter Size	Wt. Each (lbs)	Box Qty	List Price
44-1	5/8"		25	\$24.50
44-3	5/8" x 3/4" x 3/4"		25	\$30.00
44-4	1"		10	\$15.40

Series 45

Fiber Gasket for Expansion Connection



Part Number	Meter Size	Wt. Each (lbs)	Box Qty	List Price
45-1	5/8"		25	\$28.25
45-3	5/8" x 3/4" x 3/4"		25	\$30.25
45-4	1"		10	\$16.90

Pricing in U.S. funds.

Angle Valve with Yoke Connection - Ball Style

Rated for 300 PSIG

Cambridge Brass Angle Yoke ball valves include a meter star nut for connection to iron yoke bars and a wide variety of inlet configurations; manufactured to meet or exceed AWWA C800 (latest version) and NSF 61 & 372 standards, except where noted. These angle valves come standard with 90° open to close operating head and Valves include lockwing for locking in closed position.



Series 210NL
CB Compression x Yoke Nose

Part Number	Meter Size	Outlet Size	Wt. Each (lbs)	Box Qty	List Price
210NL-H3SR1	5/8"	3/4"	2.3	6	\$125.94
210NL-H3SR3	5/8" x 3/4" & 3/4"	3/4"	2.3	6	\$125.94
210NL-H4SR3	5/8" x 3/4" & 3/4"	1"	3.1	6	\$139.31
210NL-H4SR4	1"	1"	3.5	6	\$153.40



Series 210NL
Copper Flare x Yoke Nose

Part Number	Meter Size	Outlet Size	Wt. Each (lbs)	Box Qty	List Price
210NL-C3SR1	5/8"	3/4"	2.3	6	\$122.42
210NL-C3SR3	5/8" x 3/4" & 3/4"	3/4"	2.3	6	\$122.42
210NL-C4SR1	5/8"	1"	3.1	6	\$128.50
210NL-C4SR3	5/8" x 3/4" & 3/4"	1"	3.2	6	\$128.50
210NL-C4SR4	1"	1"	3.5	4	\$179.98



Series 210NL
Campak Compression x Yoke Nose

Part Number	Meter Size	Outlet Size	Wt. Each (lbs)	Box Qty	List Price
210NL-B3SR1	5/8"	3/4"	2.5	6	\$125.94
210NL-B3SR3	5/8" x 3/4" & 3/4"	3/4"	2.5	6	\$125.94
210NL-B4SR3	5/8" x 3/4" & 3/4"	1"	3.3	6	\$139.31
210NL-B4SR4	1"	1"	3.5	5	\$153.40



Series 210NL
FIP x Yoke Nose

Part Number	Meter Size	Outlet Size	Wt. Each (lbs)	Box Qty	List Price
210NL-F3SR1	5/8"	3/4"	1.8	10	\$114.74
210NL-F3SR3	5/8" x 3/4" & 3/4"	3/4"	1.9	10	\$114.74
210NL-F4SR3	5/8" x 3/4" & 3/4"	1"	2.4	6	\$113.10
210NL-F4SR4	1"	1"	3.0	5	\$156.72



Series 210NL
Grip Joint Compression x Yoke Nose

Part Number	Meter Size	Outlet Size	Wt. Each (lbs)	Box Qty	List Price
210NL-GJ3SR1	5/8"	3/4"	2.3	10	\$125.94
210NL-GJ3SR3	5/8" x 3/4" & 3/4"	3/4"	2.3	10	\$125.94
210NL-GJ4SR3	5/8" x 3/4" & 3/4"	1"	3.1	6	\$139.31
210NL-GJ4SR4	1"	1"	3.5	5	\$153.40

• Insert stiffeners are required for all connections using plastic flexible pipe see page 71

Pricing in U.S. funds.

Iron Yokes

Straight Yoke Valve - Ball Style

Rated for 300 PSIG

Straight yoke ball valves include a meter star nut for connection to iron yoke bars and a wide variety of inlet/outlet configurations. manufactured to meet or exceed AWWA C800 (latest version) and NSF 61 & 372 standards, except where noted. These valves come standard with 90° open to close operating head. Valves include lockwing for locking in closed position.

Iron Yokes

Series 212NL

CB Compression x Yoke Nose



Part Number	Meter Size	Outlet Size	Wt. Each (lbs)	Box Qty	List Price
212NL-H3SRI	5/8"	3/4"	2.1	12	\$71.49
212NL-H3SR3	5/8" x 3/4" & 3/4"	3/4"	2.5	6	\$71.49
212NL-H4SR3	5/8" x 3/4" & 3/4"	1"	3.1	6	\$120.24
212NL-H4SR4	1"	1"	3.5	5	\$126.97

Series 212NL

Grip Joint Compression x Yoke Nose



Part Number	Meter Size	Outlet Size	Wt. Each (lbs)	Box Qty	List Price
212NL-GJ3SR1	5/8"	3/4"	2.1	6	\$71.49
212NL-GJ3SR3	5/8" x 3/4" & 3/4"	3/4"	2.5	6	\$71.49
212NL-GJ4SR3	5/8" x 3/4" & 3/4"	1"	3.1	6	\$120.24
212NL-GJ4SR4	1"	1"	3.5	5	\$126.97

Series 212NL

Campak Compression x Yoke Nose



Part Number	Meter Size	Outlet Size	Wt. Each (lbs)	Box Qty	List Price
212NL-B3SR1	5/8"	3/4"	2.2	6	\$71.49
212NL-B3SR3	5/8" x 3/4" & 3/4"	3/4"	2.5	6	\$71.49
212NL-B4SR3	5/8" x 3/4" & 3/4"	1"	3.2	6	\$120.24
212NL-B4SR4	1"	1"	3.6		\$126.97

Series 212NL

Copper Flare x Yoke Nose



Part Number	Meter Size	Outlet Size	Wt. Each (lbs)	Box Qty	List Price
212NL-C3SR1	5/8"	3/4"	2.1	6	\$67.05
212NL-C3SR3	5/8" x 3/4" & 3/4"	3/4"	2.3	6	\$67.05
212NL-C4SR3	5/8" x 3/4" & 3/4"	1"	2.9	6	\$116.88
212NL-C4SR4	1"	1"	3.1	4	\$120.15

Series 212NL

FIP x Yoke Nose



Part Number	Meter Size	Outlet Size	Wt. Each (lbs)	Box Qty	List Price
212NL-F3SR1	5/8"	3/4"	2.0	10	\$58.69
212NL-F3SR3	5/8" x 3/4" & 3/4"	3/4"	2.0	10	\$58.69
212NL-F4SR3	5/8" x 3/4" & 3/4"	1"	2.6	6	\$104.03
212NL-F4SR4	1"	1"	2.9	6	\$103.55

Pricing in U.S. funds.

• Insert stiffeners are required for all connections using plastic flexible pipe

Angle Yoke Style Dual Check Valves

Rated for 175 PSIG

Cambridge Brass Angle Yoke Style Dual Check Valves include a meter star nut for iron yoke inlets and a wide variety of inlet/outlet configurations. The top cap and unique check module design assures convenient access to both checks for inspection, maintenance or replacement without removing the valve from the line. Backflow of water is still deterred if either of the checks are removed or inoperable.



Series 500NL

CB Compression x Yoke Nose

Part Number	Meter Size	Outlet Size	Wt. Each (lbs)	Box Qty	List Price
500NL-SR1H3	5/8"	3/4"	2.3	6	\$131.86
500NL-SR3H3	5/8" x 3/4" & 3/4"	3/4"	2.3	6	\$131.86
500NL-SR3H4	5/8" x 3/4" & 3/4"	1"	3.6	6	\$143.37
500NL-SR4H4	1"	1"	3.7	6	\$145.90



Series 500NL

Grip Joint Compression x Yoke Nose

Part Number	Meter Size	Outlet Size	Wt. Each (lbs)	Box Qty	List Price
500NL-SR1GJ3	5/8"	3/4"	2.3	6	\$131.86
500NL-SR3GJ3	5/8" x 3/4" & 3/4"	3/4"	2.3	6	\$131.86
500NL-SR3GJ4	3/4"	1"	3.6	6	\$143.37
500NL-SR4GJ4	1"	1"	3.6	6	\$145.90



Series 500NL

Campak Compression x Yoke Nose

Part Number	Meter Size	Outlet Size	Wt. Each (lbs)	Box Qty	List Price
500NL-SR1B3	5/8"	3/4"	2.4	6	\$131.86
500NL-SR3B3	5/8" x 3/4" & 3/4"	3/4"	2.5	6	\$131.86
500NL-SR3B4	3/4"	1"	3.7	6	\$143.37
500NL-SR4B4	1"	1"	3.9	6	\$145.90



Series 500NL

Copper Flare x Yoke Nose

Part Number	Meter Size	Outlet Size	Wt. Each (lbs)	Box Qty	List Price
500NL-SR1C3	5/8"	3/4"	2.4	6	\$130.56
500NL-SR1C4	5/8"	1"	2.4	6	\$144.86
500NL-SR3C3	5/8" x 3/4" & 3/4"	3/4"	3.3	6	\$130.56



Series 500NL

FIP x Yoke Nose

Part Number	Meter Size	Outlet Size	Wt. Each (lbs)	Box Qty	List Price
500NL-SR1F3	5/8"	3/4"	1.9	6	\$108.27
500NL-SR3F3	5/8" x 3/4" & 3/4"	3/4"	1.9	8	\$108.27
500NL-SR4F4	1"	1"	3.2	4	\$119.82

• Insert stiffeners are required for all connections using plastic flexible pipe see page 71

Pricing in U.S. funds.

Iron Yokes

Straight Couplings with Yoke Connection

Rated for 300 PSIG

Straight yoke couplings include a meter star nut for connection to iron yoke bars and a wide variety of inlet/outlet configurations. They meet or exceed the AWWA C800 (latest revision) and NSF 61 & 372 standards and are 300 PSI rated. They are designed and tested for cold portable water only.

Iron Yokes

Series 117NL

CB Compression x Yoke Nose



Part Number	Inlet Size	Outlet Size	Wt. Each (lbs)	Box Qty	List Price
117NL-SR1H3	5/8"	3/4"	0.9	25	\$25.20
117NL-SR3H3	5/8" x 3/4" & 3/4"	3/4"	0.9	25	\$25.20
117NL-SR3H4	3/4"	1"	1.2	18	\$36.47

Series 117NL

Copper Flare x Yoke Nose



Part Number	Inlet Size	Outlet Size	Wt. Each (lbs)	Box Qty	List Price
117NL-SR1C3	5/8"	3/4"	1.1	25	\$21.83
117NL-SR3C3	5/8" x 3/4" & 3/4"	3/4"	1.1	25	\$21.83
117NL-SR4C4	3/4"	1"	1.3	18	\$34.46

Series 117NL

Campak Compression x Yoke



Part Number	Inlet Size	Outlet Size	Wt. Each (lbs)	Box Qty	List Price
117NL-SR1B3	5/8"	3/4"	1.0	25	\$25.20
117NL-SR3B3	5/8" x 3/4" & 3/4"	3/4"	1.0	25	\$25.20
117NL-SR3B4	3/4"	1"	1.4	18	\$36.47

Series 117NL

FIP x Yoke Nose



Part Number	Inlet Size	Outlet Size	Wt. Each (lbs)	Box Qty	List Price
117NL-SR1F3	5/8"	3/4"	0.4	25	\$13.41
117NL-SR3F3	5/8" x 3/4" & 3/4"	3/4"	0.6	25	\$13.41
117NL-SR3F4	3/4"	1"	0.8	25	\$27.29

Series 117NL

Grip Joint Compression x Yoke



Part Number	Inlet Size	Outlet Size	Wt. Each (lbs)	Box Qty	List Price
117NL-SR1GJ3	5/8"	3/4"	0.9	25	\$25.20
117NL-SR3GJ3	5/8" x 3/4" & 3/4"	3/4"	0.9	25	\$25.20
117NL-SR3GJ4	3/4"	1"	1.2	18	\$36.47

Series 117NL

MIP x Yoke Nose



Part Number	Inlet Size	Outlet Size	Wt. Each (lbs)	Box Qty	List Price
117NL-SR1M3	5/8"	3/4"	0.6	25	\$14.94
117NL-SR3M3	5/8" x 3/4" & 3/4"	3/4"	0.6	25	\$14.94
117NL-SR4M4	3/4"	1"	0.7	25	\$24.52

Pricing in U.S. funds.

• Insert stiffeners are required for all connections using plastic flexible pipe

Angle Couplings with Yoke Connection

Rated for 300 PSIG

Angle yoke couplings include a meter star nut for connection to iron yoke bars and a wide variety of inlet/outlet configurations and are manufactured by Cambridge Brass to meet or exceed the AWWA C800 (latest revision) and NSF 61 & 372 standards and are 300 PSI rated. They are designed and tested for cold portable water only. NSF rubber gaskets are used in our Compression fittings.

Series 105NL

CB Compression x Yoke Nose



Part Number	Inlet Size	Outlet Size	Wt. Each (lbs)	Box Qty	List Price
105NL-SR1H3	5/8"	3/4"	1.1	20	\$26.13
105NL-SR3H3	5/8" x 3/4" & 3/4"	3/4"	1.3	20	\$26.13
105NL-SR4H4	1"	1"	1.9	12	\$46.35

Series 105NL

Copper Flare x Yoke Nose



Part Number	Inlet Size	Outlet Size	Wt. Each (lbs)	Box Qty	List Price
105NL-SR1C3	5/8"	3/4"	1.0	20	\$22.58
105NL-SR3C3	5/8" x 3/4" & 3/4"	3/4"	1.1	20	\$22.58
105NL-SR4C4	3/4"	1"	1.7	12	\$39.52

Series 105NL

Campak Compression x Yoke Nose



Part Number	Inlet Size	Outlet Size	Wt. Each (lbs)	Box Qty	List Price
105NL-SR1B3	5/8"	3/4"	1.1	20	\$26.13
105NL-SR3B3	5/8" x 3/4" & 3/4"	3/4"	1.3	20	\$26.13
105NL-SR4B4	1"	1"	1.9	12	\$46.35

Series 105NL

FIP x Yoke Nose



Part Number	Inlet Size	Outlet Size	Wt. Each (lbs)	Box Qty	List Price
105NL-SR1F3	5/8"	3/4"	0.9	20	\$15.42
105NL-SR3F3	5/8" x 3/4" & 3/4"	3/4"	1.0	20	\$15.42
105NL-SR4F4	1"	1"	1.3	12	\$27.29

Series 105NL

Grip Joint Compression x Yoke Nose



Part Number	Inlet Size	Outlet Size	Wt. Each (lbs)	Box Qty	List Price
105NL-SR1GJ3	5/8"	3/4"	1.1	20	\$26.13
105NL-SR3GJ3	5/8" x 3/4" & 3/4"	3/4"	1.3	20	\$26.13
105NL-SR4GJ4	1"	1"	1.9	12	\$46.35

• Insert stiffeners are required for all connections using plastic flexible pipe see page 71

Pricing in U.S. funds.

Iron Yokes

Angle Couplings with Waste Drain

Series 105NL Yoke Nose x CB



Part Number	Inlet Size	Outlet Size	Wt. Each (lbs)	Box Qty	List Price
105NL-SR3H3W	5/8" x 3/4" & 3/4"	3/4"	1.1	20	\$43.35
105NL-SR4H4W	1"	1"		12	\$68.78

Star Nut

Series 81 Star Nut for Iron Yoke Valves & Fittings



Part Number	Inlet Size	Outlet Size	Wt. Each (lbs)	Box Qty	List Price
81-SR1	5/8"	3/4"	0.2	25	\$2.43
81-SR3	5/8" x 3/4" & 3/4"	3/4"	0.2	25	\$2.43
81-SR4	1"	1"	0.2	10	\$4.33

Expansion Connections Handwheel Type

Series 430NL Expansion Connections Handwheel Type



Part Number	Inlet Size	Wt. Each (lbs)	Box Qty	List Price
430NL-1	5/8"	0.7	45	\$28.84
430NL-3	5/8" x 3/4" & 3/4"	1.0	50	\$32.65
430NL-4	1"	1.8	20	\$54.84

Series 431NL Wrench Type



Part Number	Inlet Size	Wt. Each (lbs)	Box Qty	List Price
431NL-1	5/8"	0.6	90	\$28.84
431NL-3	5/8" x 3/4" & 3/4"	0.8	30	\$32.65

Series 433NL Iron Yoke Expansion Wheel Lock wing socket Screw



Part Number	Inlet Size	Wt. Each (lbs)	Box Qty	List Price
432NL-1			40	\$53.43

Series 433NL Inverted Key



Part Number	Inlet Size	Wt. Each (lbs)	Box Qty	List Price
433-KEY			90	

Pricing in U.S. funds.

Warranty



Cambridge Brass, Inc., 140 Orion Place, Cambridge, Ontario warrants to the installing purchaser that products manufactured by Cambridge Brass are free from defects in material and/or workmanship for the lifetime of the product.*

Effective with products produced March 1st, 2005 or thereafter Cambridge Brass will, at its option, repair or replace any part which proves to be defective in material and/or workmanship during the warranty period under approved installation, water and service conditions and use.

If Cambridge Brass concludes that the returned part was manufactured by Cambridge Brass and is, in fact, defective, then Cambridge brass will honor the warranty stated herein. LABOUR CHARGES AND/OR DAMAGED INCURRED IN INSTALLATION, REPAIR OR REPLACEMENT AS WELL AS CONSEQUENTIAL, SPECIAL, INDIRECT OR PUNITIVE DAMAGES CONNECTED THEREWITH ARE EXCLUDED AND WILL NOT BE PAID BY CAMBRIDGE BRASS.

This warranty is void in the event of any damage to the product due to uses other than those for which the product has been designed & promoted, abuse, neglect, accident, improper installation , any use other that the instructions furnished by Cambridge Brass or use of replacement parts other than genuine Cambridge parts.

The Lifetime Warranty terms described herein do not apply to plug (key) style valves, stainless steel saddles and repair clamps or to any moving plastic parts such as check valves.


Cambridge Brass does warrant these parts for 5 years per the other terms of this Lifetime warranty.

This is the complete and exclusive warranty made by Cambridge Brass. Cambridge Brass does not make any other warranty of any kind, including any implied warranties.

*assumes a 40 year product life span.

With over 110 years of experience in the industry, Cambridge Brass is one of North America's leading designers, manufacturers and distributors of municipal waterworks products. Cambridge Brass continues to meet the changing needs of our industry for now and into the future.



 **CAMBRIDGE**
BRASSTM **INC**

140 Orion Place, Cambridge, Ontario, N1R 5V1, Canada
519-621-5520 | 800-724-3906 | cbsales@cbrass.com
cambridgebrass.com